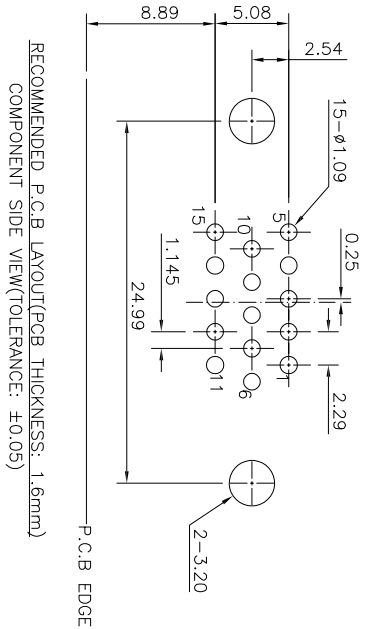
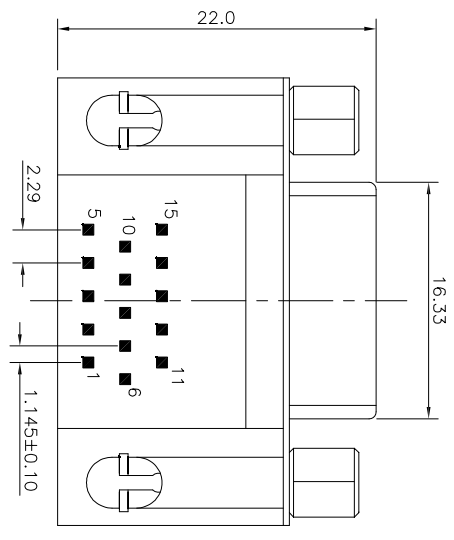
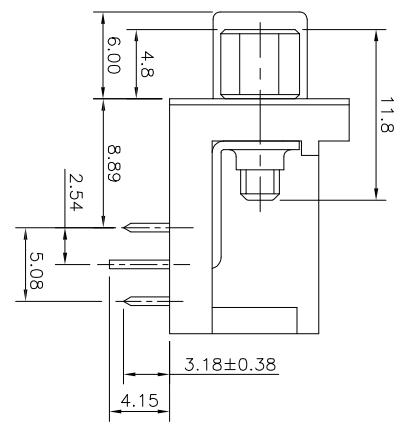
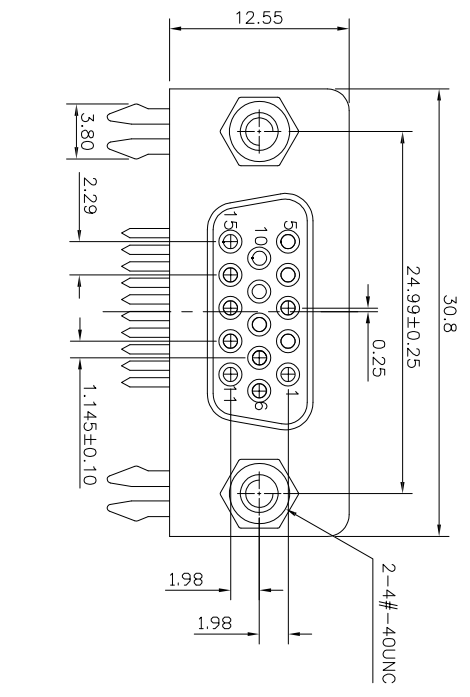


REV.	ECN NO.	MODIFY MATTER	DATE	APPROVED
A		RELEASE TO PRODUCTION		



- NOTES :
- MATERIAL :
 - HOUSING/COVER: PBT, UL94V-0, COLOR: BLUE.
 - CONTACTS : BRASS, T=0.20MM
 - SHIELD: SPCC.
 - BOARDLOCK: SPCC.
 - RISET: BRASS.
 - FINISH:
 - CONTACT:
 - GOLD FLASH PLATED ON CONTACT AREA.
 - 100u" MIN. TIN PLATING ON SOLDER TAIL AREA, 50u" MIN. NICKEL UNDERPLATING OVERALL.
 - BOARDLOCK:
 - 100u" MIN. TIN TIN PLATING ALL OVER.
 - 50u" MIN. NICKEL UNDERPLATING OVERALL.
 - SHIELD: 50u" MIN. NICKEL PLATED.
 - RISET: 50u" MIN. NICKEL PLATED.

EAST-HDR15P-8.89XX-X

- BK:黑色
BE:蓝色
- 1: 锁螺丝 4.8*11.8
2: 无螺丝
3: 附螺丝
4: 锁螺丝 5.8*11.8

RECOMMENDED P.C.B. LAYOUT(PCB THICKNESS: 1.6mm)
COMPONENT SIDE VIEW(TOLERANCE: ±0.05)

TOLERANCES UNLESS OTHERWISE SPECIFIED:		DRAWING: Qinx		CHECKED: Chenl		PART NO: EAST-HDR15P-8.89XX-X	
X	± 0.38	2017/09/10	2017/09/10	2017/09/10	2017/09/10	EAST-HDR15P-8.89XX-X	
X.X	± 0.25					HD9-15P(C)(8.89mm)	
X.XX	± 0.20					物模式	
X.XXX	± 3°					(RHS)	
Angle						SCALE: N/A	
THESE DRAWING AND SPECIFICATION ARE THE PROPERTY OF Shenzhen Dengfengye ELECTRONIC CO., LTD. SHALL NOT BE REPRODUCED.		COSTOMER COPY		APPROVED: Chenl		DATE: 2017/09/10	
SHENZHEN DENG FENG YE ELECTRONIC CO., LTD.		深圳市东方御业科技有限公司		Tel: 0755-27155660		WWW.DFYCONN.COM	