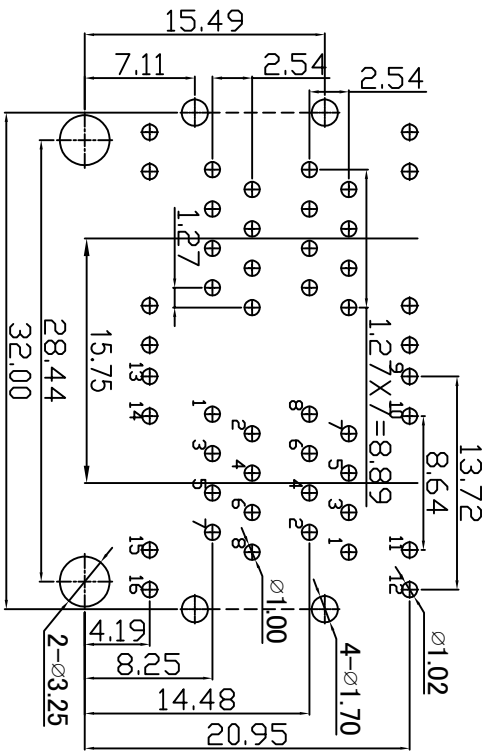
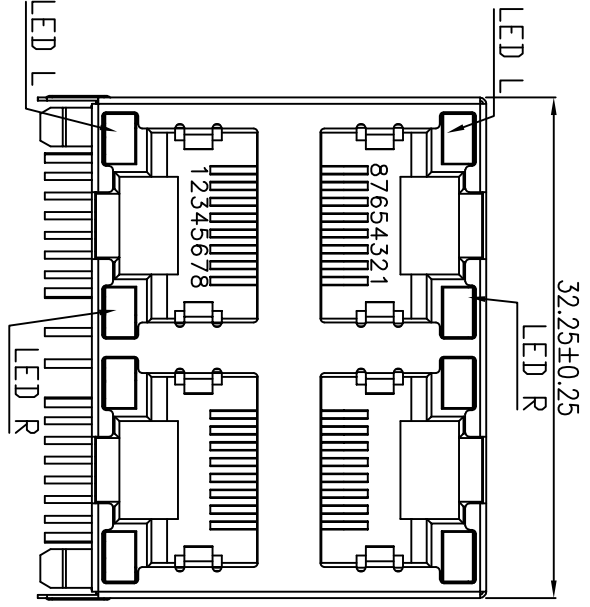
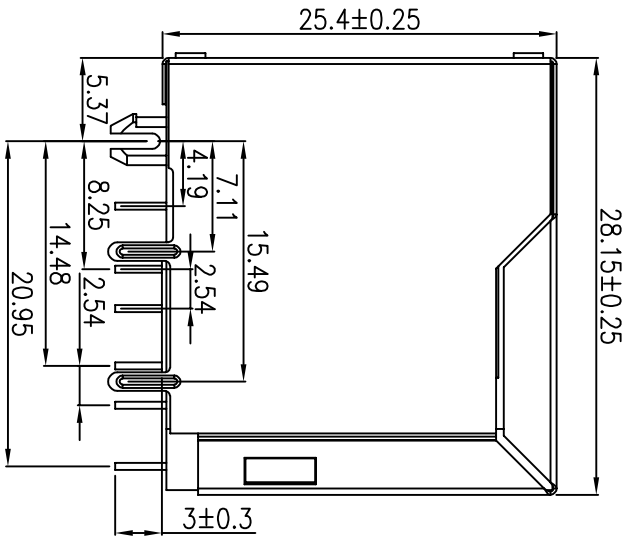
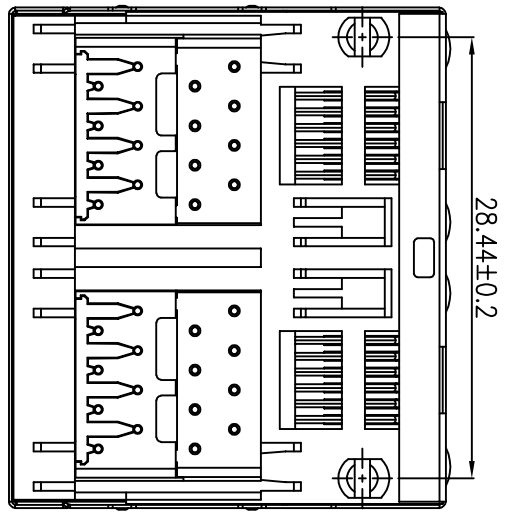
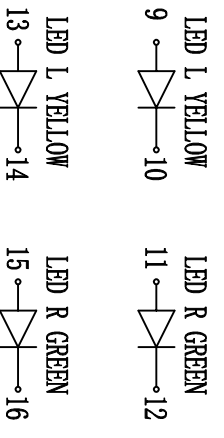


REV.	ECN NO.	MODIFY MATTER	DATE	APPROVED
A		RELEASE TO PRODUCTION		



PC Board Layout



- NOTES:
- ELECTRICAL:
- VOLTAGE RATING: 125V AC.
 - CURRENT RATING: 1.5A.
 - CONTACT RESISTANCE: 30 mΩ MAX.
 - INSULATION RESISTANCE: 500 MΩ MIN @ 500V DC.
 - DIELECTRIC STRENGTH: 1000V AC 50Hz or 60Hz, 1MIN.
- MECHANICAL:
- INSERT MATERIAL: UL94V-0.
 - CONTACT MATERIAL: DIAMETER 0.46mm C51000 (QSn4-0.3) PHOSPHOR BRONZE GOLD PLATING OVER NICKEL.
 - SHIELD: 0.20mm THICKNESS H65Y BRASS NICKEL PLATED.
 - MATING/UNMATING FORCE: 2.2KG. F MAX.
 - RETENTION STRENGTH: 3.0KG. F MIN BETWEEN JACK AND PLUG.
 - OPERATING LIFE: 750 CYCLES MIN.
- ENVIRONMENTAL:
- STORAGE: -40°C ~ +85°C RELATIVE HUMIDITY<70%.
 - OPERATION: -40°C ~ +85°C.

EAST-59C-32882111101

- CONTACTS (金针根数): _____
- 8-8CONTACTS (8C)
- LED STYLE (LED 颜色类型): _____
- 1-L LED: GREEN, R LED: YELLOW (左绿右黄)
- 2-L LED: YELLOW, R LED: GREEN (左黄右绿)
- 3-客户需求灯颜色
- 4-客户需求灯颜色
- PLASTIC (塑料): _____
- 1-PBT;
- 3-NYLON46(尼龙46)
- COLOR (颜色): _____
- 1-BLACK (黑色)
- GOLD PLATING (镀金厚度): _____
- 1-FU": -2-1.5U"; -3-3U"; -4-6U";
- 5-15U"; -6-30U"; -7-50U"

TOLERANCES UNLESS OTHERWISE SPECIFIED:		CUSTOMER COPY		PART NO:	
X.X	± 0.38	深州市东方御业科技有限公司		EAST-59C-32882111101	
X.XX	± 0.25	www.dfycnn.com		5921S LED 2X2 8P8C -D(左黄右绿)	
X.XXX	± 0.10	TEL:0755-27155560		(REV:CS)	
Angle	±1°	2017/09/10		SCALE: N/A	
THESE DRAWING AND SPECIFICATION ARE THE PROPERTY OF Shenzhen Dongfangyue Electronic Co., Ltd. SHALL NOT BE REPRODUCED.		CHECKED: CHENLEI		SHEET: 1:1	
		APPROVED: QINXIAO		REV:	