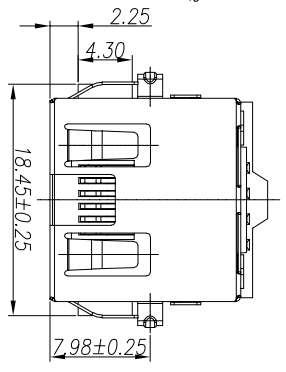


| REV. | ECN NO. | MODIFY MATTER | DATE | APPROVED |
|------|---------|-----------------------|------|----------|
| A | | RELEASE TO PRODUCTION | | |

EAST-B011-835X2-P

- Specifications:
1. Rated Current: 1.5A
 2. Contact resistance: 40mΩ MAX.
 3. Insulation withstand: 500MΩ MIN.
 4. Dielectric withstand: 500V AC for 1 minute
 5. Operating temperature: -40°C~+80°C
 6. Insertion/Extraction life: 750 Cycles

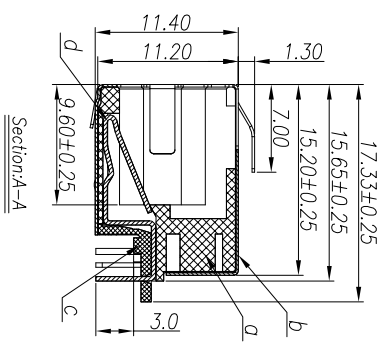


| | | |
|---|--------------|------------------|
| X | Color | housing Material |
| B | Black | LCP UL94V-0 |
| O | Orange(151C) | PA9T UL94V-0 |
| Y | Yellow(130C) | PA9T UL94V-0 |

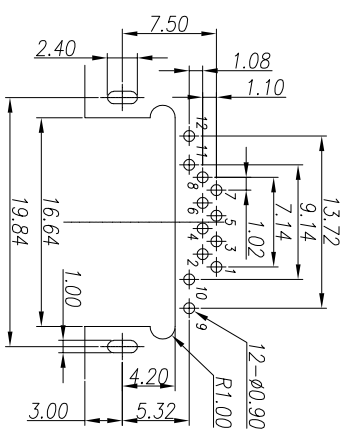
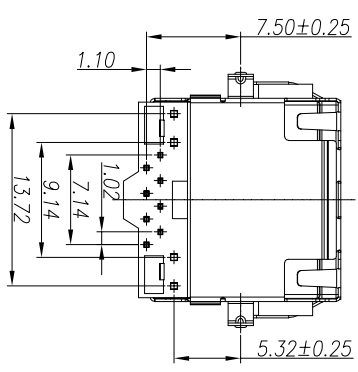
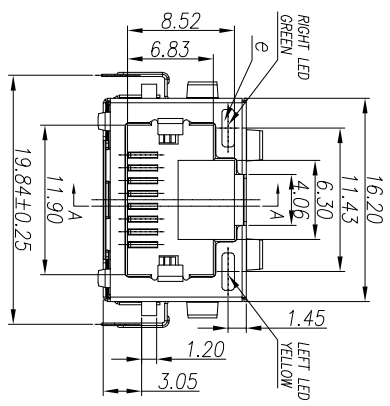
| | |
|---|-------|
| X | 包装方式 |
| C | 卷带包装 |
| P | 吸塑盒包装 |

| | |
|---|------------------|
| X | Terminal Plating |
| 0 | Au 1u" Plating |
| 1 | Au 3u" Plating |
| 2 | Au 6u" Plating |
| 3 | Au 15u" Plating |
| 4 | Au 30u" Plating |
| 5 | Au 50u" Plating |

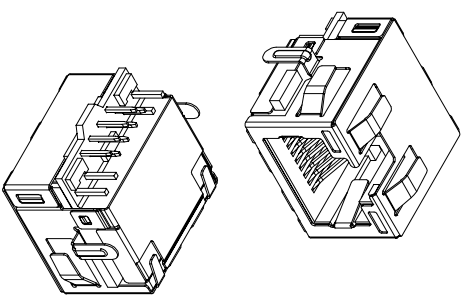
| | | |
|---|--------------|--------------|
| X | LED-L | LED-R |
| 1 | GREEN | YELLOW |
| 2 | YELLOW | GREEN |
| 3 | YELLOW | YELLOW/GREEN |
| 4 | GREEN | YELLOW/GREEN |
| 5 | YELLOW/GREEN | YELLOW |
| 6 | YELLOW/GREEN | GREEN |



Section A-A



RECOMMENDED PCB LAYOUT (TOP VIEW)
(ALL TOLERANCES ARE ±0.05)



3D VIEW

| LED COLOR | | LED COLOR | |
|-----------|-------|-----------|----------|
| LED 1 | NODE | LED 2 | NODE |
| 10(+) | 9(-) | GREEN | 10-9-9 |
| 12(+) | 11(-) | YELLOW | 12-11-11 |

| | | | | | |
|-----|-----------|------|--------------------------|-----------------|--------|
| e | LED | 1 | YELLOW | | |
| d | Terminal | 1 | GREEN | | |
| c | Cover | 8 | PHOSPHOR BRONZE T=0.35mm | See Table 1 | |
| b | Shell | 1 | LCP GF30% UL94V-0 | Black | |
| a | Housing | 1 | BRASS T=0.20mm | Black | |
| NO. | PART NAME | Q'TY | MATERIAL | PLATING & COLOR | Remark |

| | |
|----------------------------------------|--------|
| TOLERANCES UNLESS OTHERWISE SPECIFIED: | ± 0.38 |
| X.X | ± 0.25 |
| X.XX | ± 0.10 |
| X.XXX | ± 1° |
| Angle | |

| | | | | | | | |
|--------------------------|--|----------------------------|--|------------------|--|---------------------|--|
| COSTUMER COPY | | DRAWN: CHENLEI | | CHECKED: CHENLEI | | APPROVED: QINKAXING | |
| 2017/09/10 | | 2017/09/10 | | 2017/09/10 | | 2017/09/10 | |
| TITIAL: R445 H6.00mm LED | | PART NO: EAST-B011-835X2-P | | UNIT: mm | | SCALE: N/A | |
| SHEET: 1/1 | | REV: | | | | | |

深圳市东方御业科技有限公司
WWW.DFYCCOM.COM TEL:0755-27155560