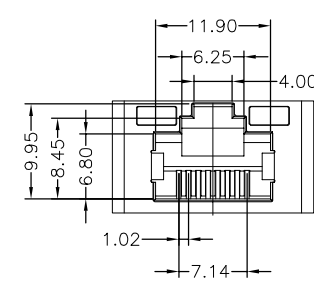


REV.	ECN NO.	MODIFY MATTER	DATE	APPROVED
A		RELEASE TO PRODUCTION		

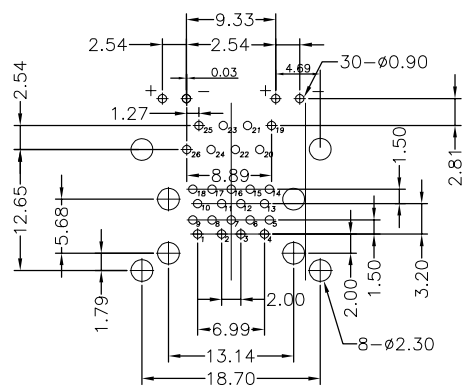
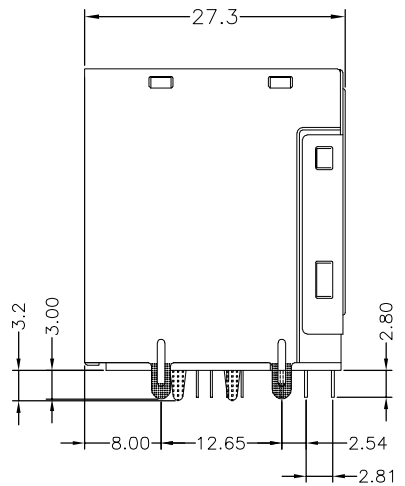
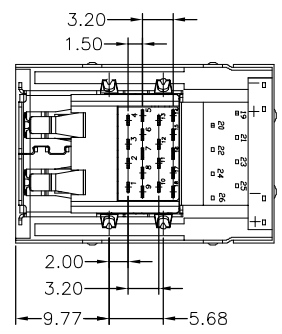
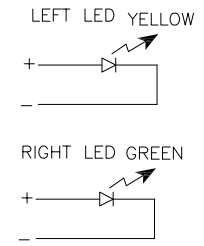
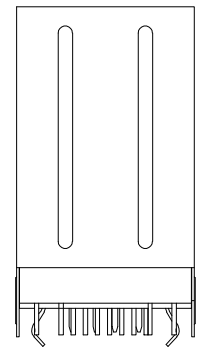
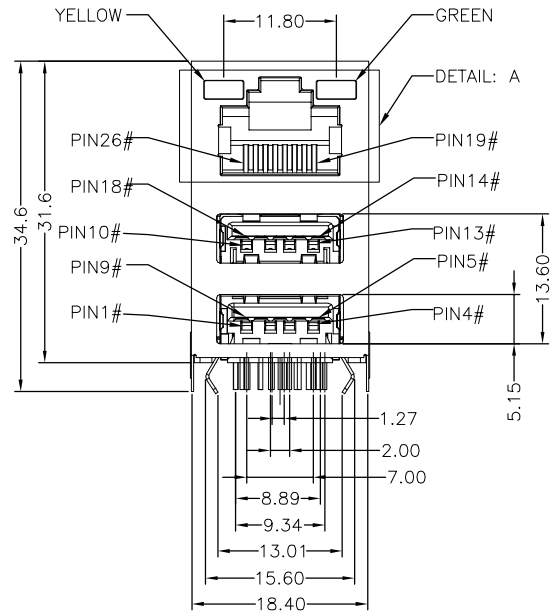
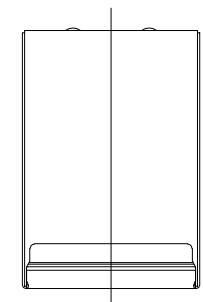
NOTES:

- MATERIAL:
 - RJ45 HOUSING AND COVER: PBT, COLOR: BLACK.
 - USB HOUSING AND COVER: PA66, UL94V-0 COLOR: BLUE.
 - CONTACT
 - USB MIDDLE SHEEL: SPCC, T=0.30mm
 - USB CONTACT: C2680, T=0.25mm
 - USB SHELL: SPCC, T=0.30mm
 - RJ45 CONTACT: C2680, T=0.30mm
 - SHELL: SPCC, T=0.30mm
 - LED: STEEL.
- PLATING:
 - SHELL:
 - 30u" MIN NICKEL PLATED OVER
 - 30u" Min. COPPER UNDERPLATED OVERALL
 - USB AND RJ45 CONTACT:
 - 0.5u"~1u" GOLD PLATED ON CONTACT AREA
 - 80u" MIN. MATTE TIN PLATED ON SOLDER TAIL AREA
 - 30u" NICKEL UNDERPLATED OVERALL
 - LED: 80u" MIN TIN PLATED OVER 30u" MIN NICKEL UNDERPLATED OVERALL.
- SPECIFICATION: (USB)
 - CURRENT RATING: 1.0AMPS.
 - CONTACT RESISTANCE: 30mΩ Max. FOR VBUS AND GND PINS, 50mΩ Max. For ALL OTHER PINS.
 - INSULATION RESISTANCE: 100MΩ MIN.
 - DIELECTRIC WITHSTANDING VOLTAGE: 500V AC PER MINUTE
 - DURABILITY: 1500 CYCLE.
 - OPERATING TEMPERATURE RATING: -55°C TO +105°C.
- SPECIFICATION: (RJ45)
 - CURRENT RATE: 1.5 AMPS.
 - INSULATOR RESISTANCE: 1000MΩ MIN. AT 500V DC.
 - DIELECTRIC STRENGTH: 1000V PER MINUTE.
 - OPERATION TEMPERATURE: -25°C TO +105°C.
- NOTES:
 - ALL COMPONENTS ARE RoHS COMPLIANT.
 - RESISTANCE TO SOLDERING HEAT: 255°C FOR 5 SECONDS, AND ONLY FOR WAVE SOLDERING PROCESS.
- P/N:

EAST-RJU31-0006-P



DETAIL: A
SCALE:1:1



RECOMMENDED P.C.B LAYOUT(PCB THICKNESS: 1.6mm)
COMPONENT SIDE VIEW(TOLERANCE: ±0.05)

TOLERANCES UNLESS OTHERWISE SPECIFIED: X. --- X.X ± 0.38 X.XX ± 0.25 X.XXX ± 0.10 Angle ±1°		COSTUMER COPY 深圳市东方御业科技有限公司 WWW.DFYCONN.COM TEL:0755-27155560	
DRAWN: CHENLEI		2017/09/10	
CHECKED: CHENLEI		2017/09/10	
APPROVED: QINKAIXING		2017/09/10	
THESE DRAWING AND SPECIFICATION ARE THE PROPERTY OF Shenzhen Dongfangyue ELECTRONIC CO., LTD. SHALL NOT BE REPRODUCED.		TITIAL: RJ45+ 双层USB3.0 LED左黄右绿, 无字烫 USB3.0铁壳 R/A DIP TYPE (RoHS)	
		PART NO: EAST-RJU31-0006-P	
		DRAWING NO:	
UNIT: mm		SCALE: N/A	
		SHEET: 1:1	
		REV.	