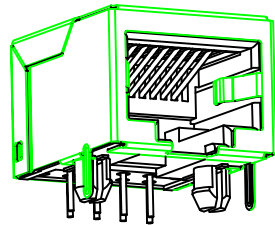
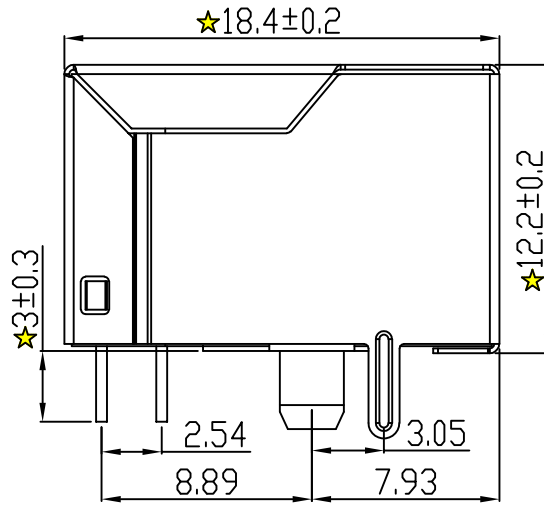
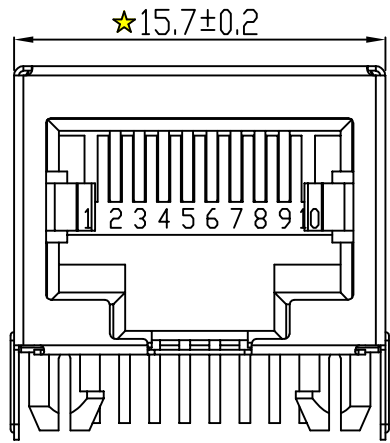


REV.	ECN NO.	MODIFY MATTER	DATE	APPROVED
A		RELEASE TO PRODUCTION		



NOTES:

ELECTRICAL:

- VOLTAGE RATING: 125V AC.
- CURRENT RATING: 1.5A.
- CONTACT RESISTANCE: 30 mΩ MAX.
- INSULATION RESISTANCE: 500 MΩ MIN @ 500V DC.
- DIELECTRIC STRENGTH: 1000V AC 50Hz or 60Hz, 1MIN.

MECHANICAL:

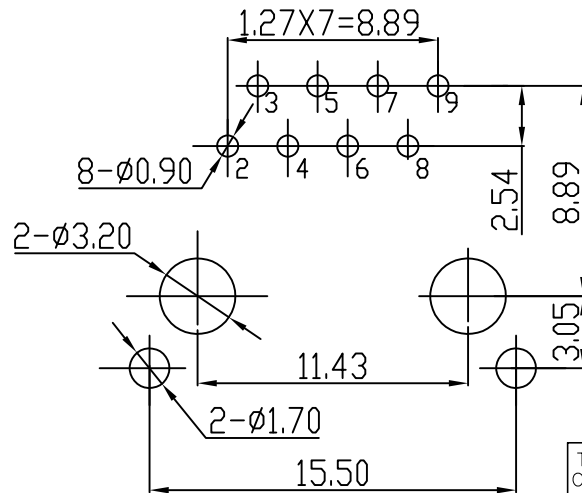
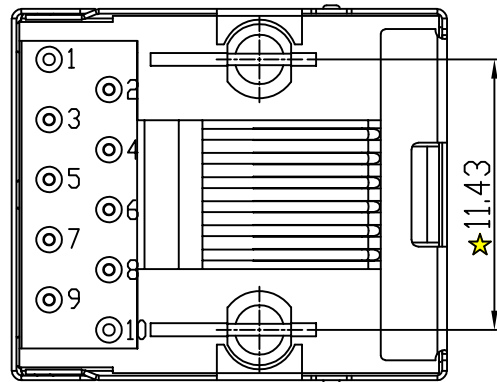
- INSERT MATERIAL: UL94V-0.
- CONTACT MATERIAL: DIAMETER 0.46mm C51000(QSn4-0.3)PHOSPHOR BRONZE GOLD PLATING OVER NICKEL.
- SHIELD: 0.20mm THICKNESS H65Y BRASS NICKEL PLATED.
- MATING/UNMATING FORCE: 2.2KG.F MAX.
- RETENTION STRENGTH: 3.0KG.F MIN BETWEEN JACK AND PLUG.
- OPERATING LIFE: 750 CYCLES MIN.

ENVIRONMENTAL:

- STORAGE: -40°C ~ +85°C RELATIVE HUMIDITY<70%.
- OPERATION: -40°C ~ +85°C.

Remark:

- The mark with★ is the key inspection dimension for QC.



PC Board Layout

EAST-56C-310810111101

CONTACTS (金针根数):

- 1-2. 3. 4. 7 PIN; 2-2CONTACTS (2C);
- 4-4CONTACTS (4C); 6-6CONTACTS (6C);
- 8-8CONTACTS (8C); 0-10CONTACTS (10C)

PEG/TAB (边定位铁脚):

- 1-FRONT PEG3.05 (前脚3.05);
- 2-BACK PEG3.05 (后脚3.05)

EMI (弹片):

- 1-W/O EMI (无弹片);
- 2-W/EMI (带弹片)

PLASTIC (塑料):

- 1-PBT;
- 2-NYLON66 (尼龙66);
- 3-NYLON46 (尼龙46)

COLOR (颜色):

- 1-BLACK (黑色); 3-GRAY (灰色);
- 5-YELLOE (黄色); 8-BLUE (蓝色)

GOLD PLATING (镀金厚度):

- 1-FU"; 2-1.5U"; 3-3U"; 4-6U";
- 5-15U"; 6-30U"; 7-50U"

TOLERANCES UNLESS OTHERWISE SPECIFIED:	
X.	----
X.X	± 0.38
X.XX	± 0.25
X.XXX	± 0.10
Angle	± 1°

THESE DRAWING AND SPECIFICATION ARE THE PROPERTY OF Shenzhen Dongfangyue ELECTRONIC CO., LTD.. SHALL NOT BE REPRODUCED.

COSTOMER COPY		深圳市东方御业科技有限公司 WWW.DFYCONN.COM TEL:0755-27155560		
DRAWN:	CHENLEI	2017/09/10	TITLE: RJ45 1X1 10P8C F3.05	
CHECKED:	CHENLEI	2017/09/10	PART NO: EAST-56C-310810111101 (Rolls)	
APPROVED:	QINKAIXING	2017/09/10	UNIT: mm	SCALE: N/A
			SHEEL: 1:1	REV.