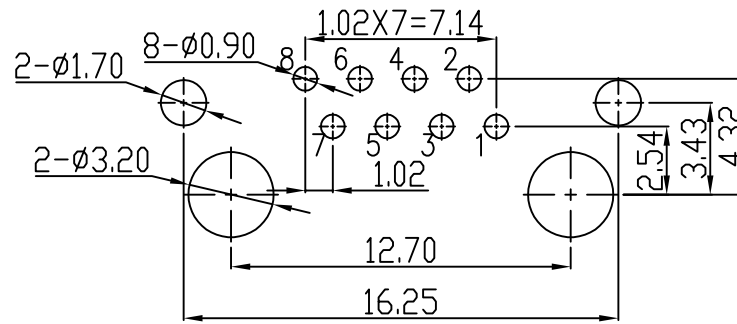
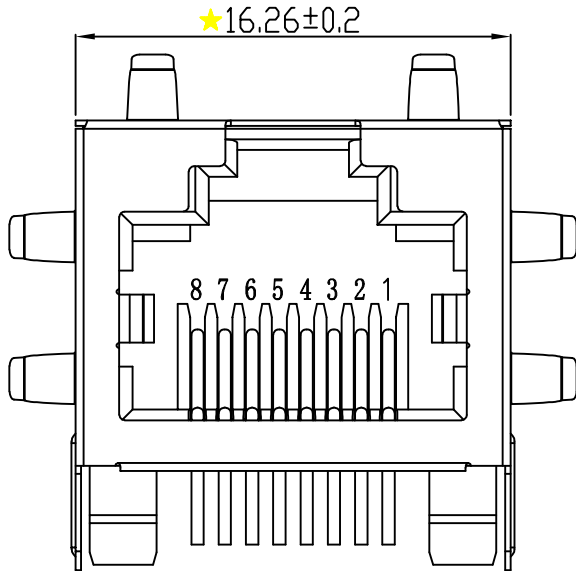
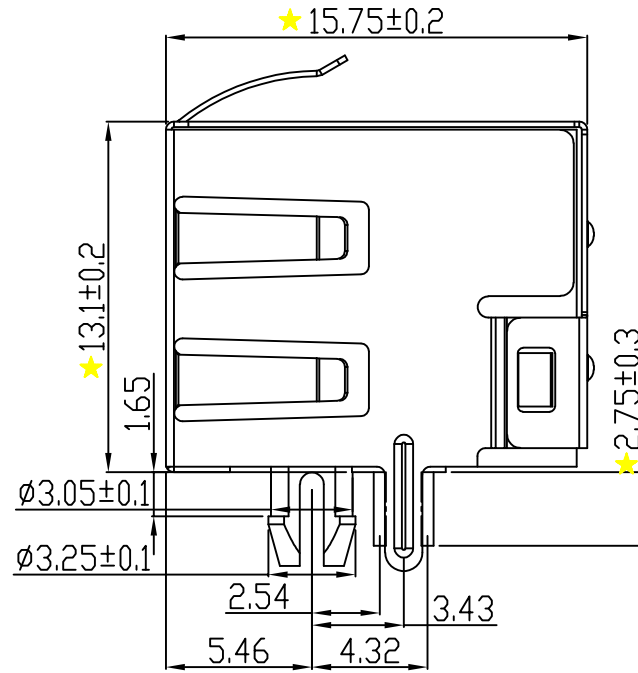
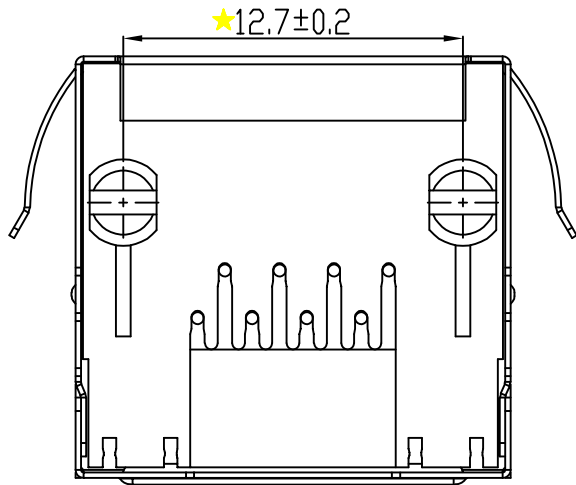
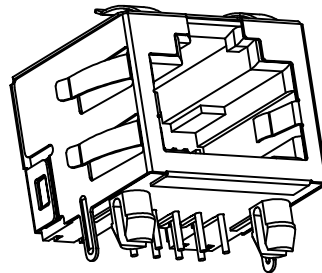


REV.	ECN NO.	MODIFY MATTER	DATE	APPROVED
A		RELEASE TO PRODUCTION		



PC Board Layout



NOTES:

ELECTRICAL:

- VOLTAGE RATING: 125V AC.
- CURRENT RATING: 1.5A.
- CONTACT RESISTANCE: 30 mΩ MAX.
- INSULATION RESISTANCE: 500 MΩ MIN @ 500V DC.
- DIELECTRIC STRENGTH: 1000V AC 50Hz or 60Hz, 1MIN.

MECHANICAL:

- INSERT MATERIAL: UL94V-0.
- CONTACT MATERIAL: DIAMETER 0.46mm C51000 (QSn4-0.3) PHOSPHOR BRONZE GOLD PLATING OVER NICKEL.
- SHIELD: 0.20mm THICKNESS H65Y BRASS NICKEL PLATED.
- MATING/UNMATING FORCE: 2.2KG. F MAX.
- RETENTION STRENGTH: 5.0KG. F MIN BETWEEN JACK AND PLUG.
- OPERATING LIFE: 750 CYCLES MIN.

ENVIRONMENTAL:

- STORAGE: -40°C ~ +85°C RELATIVE HUMIDITY < 70%.
- OPERATION: -40°C ~ +85°C.

Remark:

- The mark with★ is the key inspection dimension for QC.

EAST-56A-31880021101

CONTACTS (金针根数): _____

- 1-1. 2. 3. 6 PIN; 2-2CONTACTS (2C);
- 4-4CONTACTS (4C); 6-6CONTACTS (6C);
- 8-8CONTACTS (8C)

PLASTIC (塑料): _____

- 1-PBT;
- 2-NYLON66 (尼龙66);
- 3-NYLON46 (尼龙46)
- COLOR (颜色): _____
- 1-BLACK (黑色); 3-GRAY (灰色); 5-YELLOW (黄色);
- 6-RED (红色); 7-GREEN (绿色); 8-BLUE (蓝色)

GOLD PLATING (镀金厚度): _____

- 1-FU"; 2-1.5U"; 3-3U"; 4-6U";
- 5-15U"; 6-30U"; 7-50U"

TOLERANCES UNLESS OTHERWISE SPECIFIED: X. --- X. X ± 0.38 X. XX ± 0.25 X. XXX ± 0.10 Angle ± 1°	CUSTOMER COPY 深圳市东方御业科技有限公司 WWW.DFYCONN.COM TEL:0755-27155560	
	DRAWN: CHENLEI	2017/09/10
	CHECKED: CHENLEI	2017/09/10
	APPROVED: QINKAIXING	2017/09/10
THESE DRAWING AND SPECIFICATION ARE THE PROPERTY OF Shenzhen Dongfangyue ELECTRONIC CO., LTD. SHALL NOT BE REPRODUCED.		TITIAL: 56S 1X1 8P8C EMI PART NO: EAST-56A-31880021101
UNIT: mm	SCALE: N/A	SHEEL: 1:1