

REV.	ECN NO.	MODIFY MATTER	DATE	APPROVED
A		RELEASE TO PRODUCTION		

SPECIFICATION NOTES:

ELECTRICAL:

1. VOLTAGE RATING: 125 VAC RMS
2. CURRENT RATING: 1.5 AMP
3. CONTACT RESISTANCE: 20mΩ MAX.
4. INSULATION RESISTANCE: 1000MΩ MIN. AT500V DC.
5. DIELECTRIC STRENGTH: 1000 V AC OR 1500V DC RMS AT 0.5mA 50 Hz / 60 Hz FOR 1MINUTE

MECHANICAL:

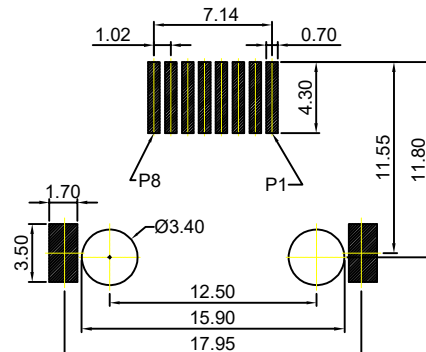
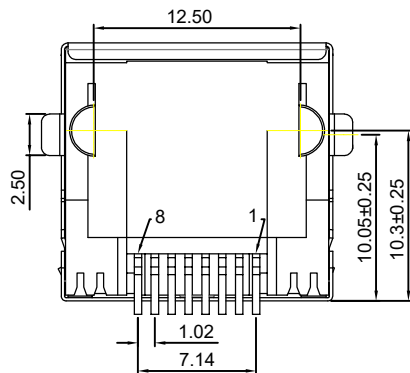
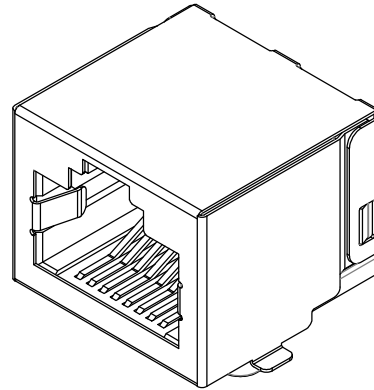
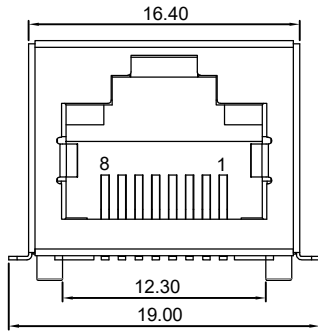
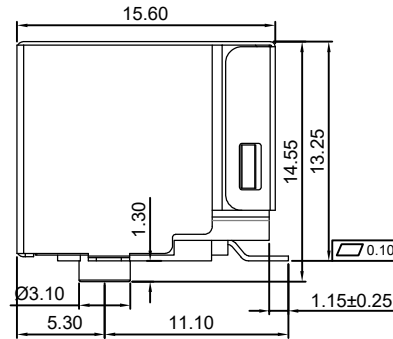
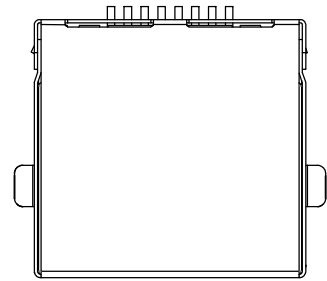
1. HOUSING:LCP BLACK, UL 94V-0
2. CONTACT:PHOSPHOR BRONZE T=0.30MM
3. PLATING: F' u GOLD PLATING AT CONTACT AREA, MATTE TIN AT TAIL 80U MIN., NICKEL 30U MIN. OVER ALL.
4. SHELL:BRASS T=0.20mm, NICKEL PLATING 30U MIN.
5. OPERATING LIFE:750 CYCLES MIN.
6. MATING/UNMATING FORCE: 22N/2.24KGf MAX.
7. RETENTION STRENGTH: 30N MIN. FOR 60S±5S

ENVIRONMENTAL:

1. STORAGE:-40° C TO +85° C RELATIVE HUMIDITY<80%
2. GUARANTEE PERIOD:12 MONTHS
3. OPERATION: -40° C TO +85° C
4. MANUAL SOLDERING PARAMETERS:24H IR TEMPERATURE: 255±5° C 5~10 SECONDS.

EAST-56A-31880014101-SMT

- 56LED SERIES PCB JACK
(56LED系列PCB接口)
- SHIELD(屏蔽壳):
3-FULL SHIELD(全包)
- PORTS(插口):
1-1X1(一插); 2-1X2(二插);
POSITIONS(金针位置):
8-8POSITIONS(8P)
CONTACTS(金针根数):
8-8CONTACTS(8C)
- LED STYLE(LED 颜色类型):
0=无LED灯
1-L LED:GREEN, R LED:YELLOW(左绿右黄)
2-L LED:YELLOW, R LED:GREEN(左黄右绿)
- GOLD PLATING(镀金厚度):
1-FU"; 2-1.5U"; 3-3U"; 4-6U";
- COLOR(颜色):
1-BLACK(黑色); 2-WHITE(白色);
- PLASTIC(塑料):
EMI(弹片):
1-无弹片
2-W/EMI(带弹片)



RECOMMENDED PCB LAYOUT
PTOLERANCE=±0.05

TOLERANCES UNLESS OTHERWISE SPECIFIED: X. --- X.X ± 0.38 X.XX ± 0.25 X.XXX ± 0.10 Angle ±1'	COSTOMER COPY	深圳市东方御业科技有限公司 WWW.DFYCONN.COM TEL:0755-27155560			
	DRAWN: CHENLEI	2017/09/10	TITIAL: RJ45 SMT 8P8C		
THESE DRAWING AND SPECIFICATION ARE THE PROPERTY OF Shenzhen Dongfangyuye ELECTRONIC CO., LTD.. SHALL NOT BE REPRODUCED.	CHECKED: CHENLEI	2017/09/10	PART NO: EAST-56A-31880014101-SMT		
	APPROVED: QINKAIXING	2017/09/10	UNIT: mm	SCALE: N/A	SHEEL: 1:1