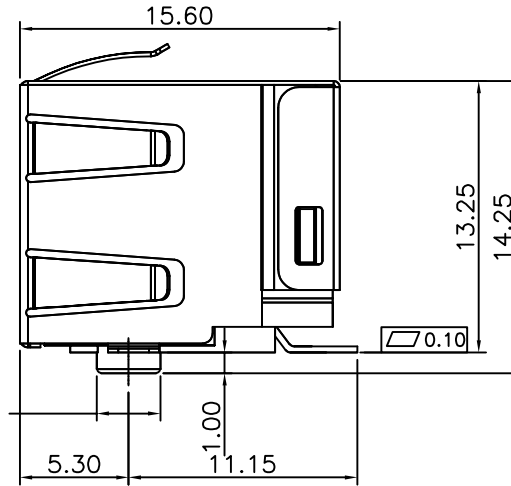
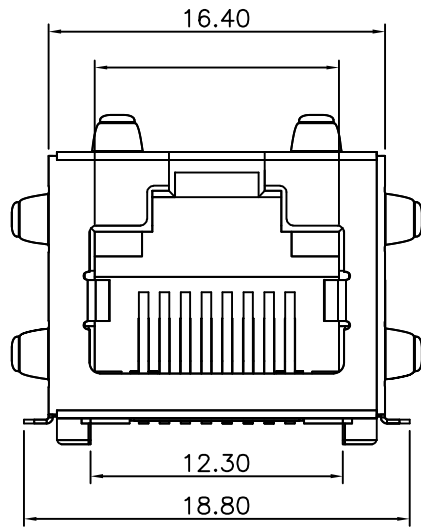


REV.	ECN NO.	MODIFY MATTER	DATE	APPROVED
A		RELEASE TO PRODUCTION		



SPECIFICATION NOTES:

ELECTRICAL:

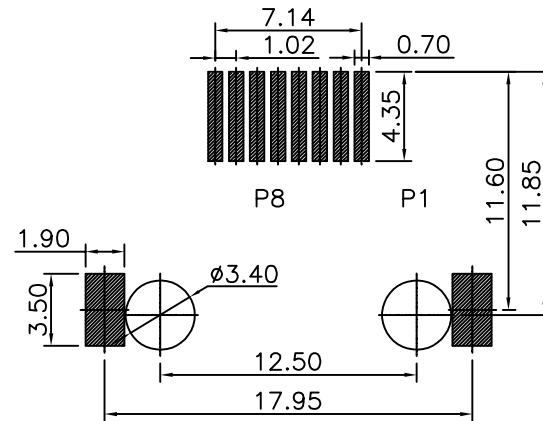
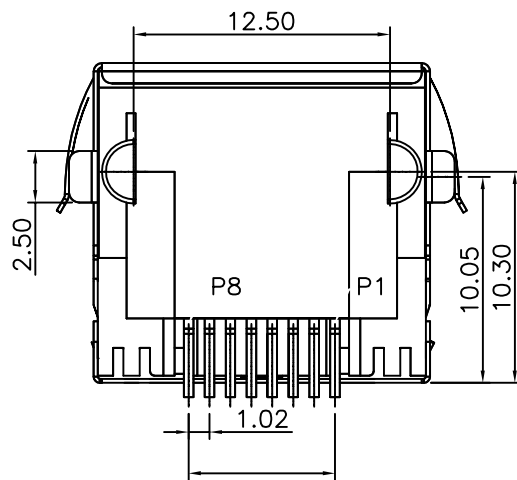
1. VOLTAGE RATING: 125 VAC RMS
2. CURRENT RATING: 1.5 AMP
3. CONTACT RESISTANCE: 20mΩ MAX.
4. INSULATION RESISTANCE: 1000MΩ MIN. AT500V DC.
5. DIELECTRIC STRENGTH: 1000 V AC OR 1500V DC RMS AT 0.5mA 50 Hz / 60 Hz FOR 1MINUTE

MECHANICAL:

1. HOUSING: LCP BLACK, UL 94V-0
2. CONTACT: PHOSPHOR BRONZE T=0.30MM
3. PLATING: F u GOLD PLATING AT CONTACT AREA, MATTE TIN AT TAIL 80U MIN., NICKEL 30U MIN. OVER ALL.
4. SHELL: BRASS T=0.20mm, NICKEL PLATING 30U MIN.
5. OPERATING LIFE: 750 CYCLES MIN.
6. MATING/UNMATING FORCE: 22N/2.24KGF MAX.
7. RETENTION STRENGTH: 30N MIN. FOR 60S±5S

ENVIRONMENTAL:

1. STORAGE: -40° C TO +85° C RELATIVE HUMIDITY<80%
2. GUARANTEE PERIOD: 12 MONTHS
3. OPERATION: -40° C TO +85° C
4. MANUAL SOLDERING PARAMETERS: 24H IR TEMPERATURE: 255±5° C 5~10 SECONDS.



RECOMMENDED PCB LAYOUT

PTOLERANCE = ±0.05

EAST-56A-31880024101-SMT

- 56LED SERIES PCB JACK (56LED系列PCB接口)
 SHIELD(屏蔽壳):
 3-FULL SHIELD(全包)
 PORTS(插口):
 1-1X1(一口); 2-1X2(二口);
 POSITIONS(金针位置):
 8-8POSITIONS(8P)
 CONTACTS(金针根数):
 8-8CONTACTS(8C)
 LED STYLE(LED 颜色类型):
 0-无LED灯
 1-L LED: GREEN, R LED: YELLOW(左绿右黄)
 2-L LED: YELLOW, R LED: GREEN(左黄右绿)
- GOLD PLATING(镀金厚度):
 1-FU"; 2-1.5U"; 3-3U"; 4-6U";
 COLOR(颜色):
 1-BLACK(黑色); 2-WHITE(白色);
 PLASTIC(塑料):
 EMI(弹片):
 1-无弹片
 2-W/EMI(带弹片)

TOLERANCES UNLESS OTHERWISE SPECIFIED: X. --- X.X ± 0.38 X.XX ± 0.25 X.XXX ± 0.10 Angle ±1°	COSTOMER COPY 深圳市东方御业科技有限公司 WWW.DFYCONN.COM TEL:0755-27155560		
	DRAWN: CHENLEI	2017/09/10	TITL: RJ45 SMT 8P8C
	CHECKED: CHENLEI	2017/09/10	PART NO: EAST-56A-31880024101-SMT
	APPROVED: QINKAIXING	2017/09/10	UNIT: mm SCALE: N/A SHEEL: 1:1 REV.