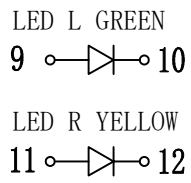
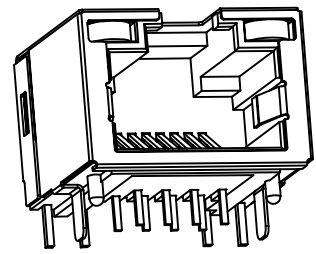
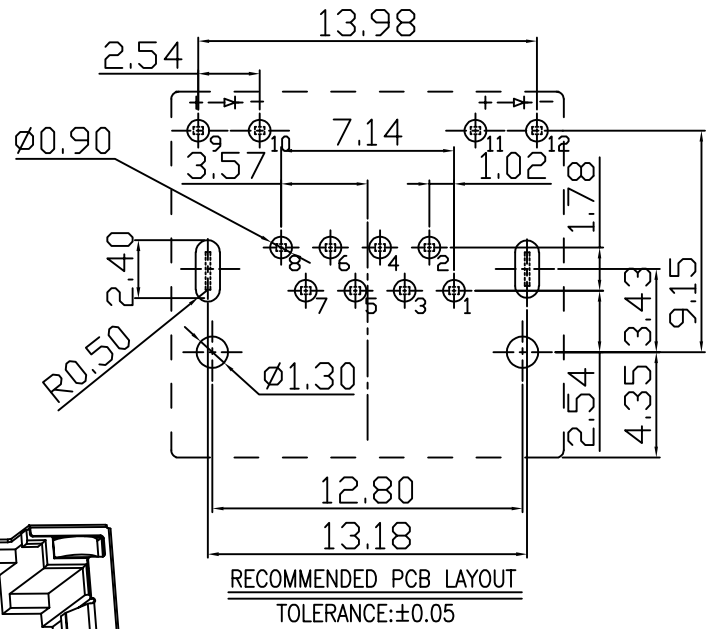
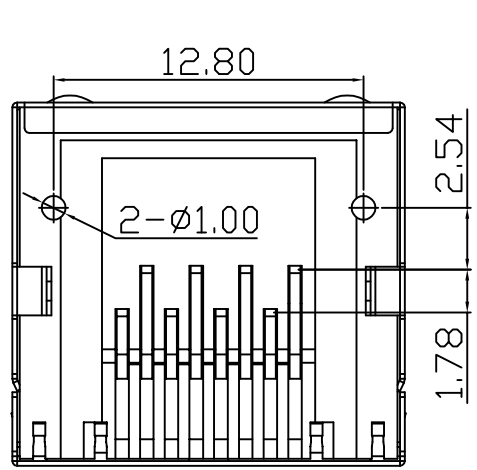


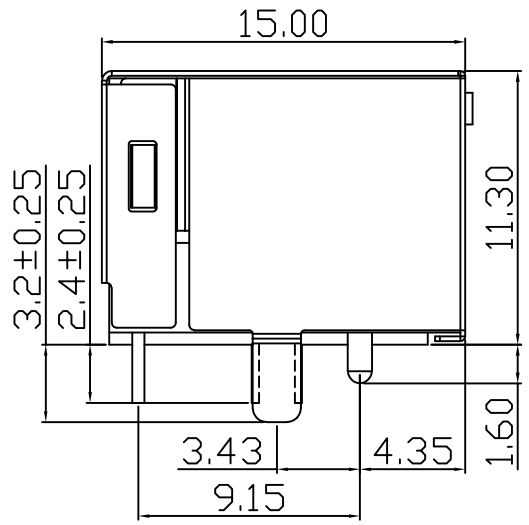
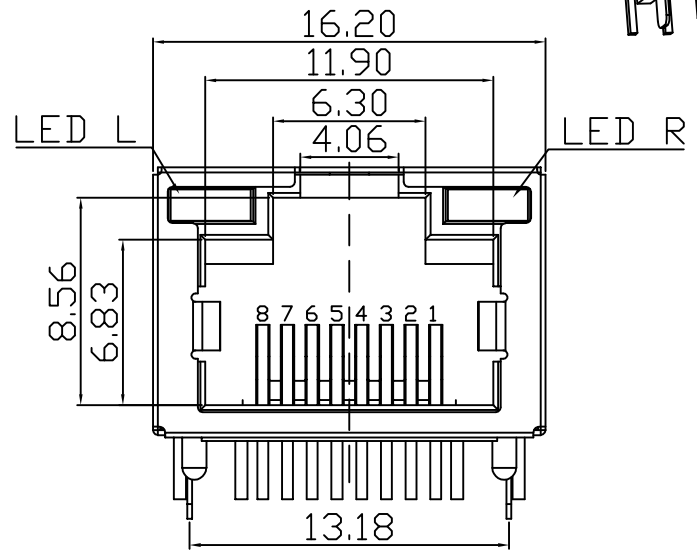
REV.	ECN NO.	MODIFY MATTER	DATE	APPROVED
A		RELEASE TO PRODUCTION		

- NOTES:
- ELECTRICAL:
- VOLTAGE RATING: 125V AC.
 - CURRENT RATING: 1.5A.
 - CONTACT RESISTANCE: 30 mΩ MAX.
 - INSULATION RESISTANCE: 500 MΩ MIN @ 500V DC.
 - DIELECTRIC STRENGTH: 1000V AC 50Hz or 60Hz, 1MIN.
- MECHANICAL:
- INSERT MATERIAL: UL94V-0.
 - CONTACT MATERIAL: C5191 (QSn6.5-0.1) PHOSPHOR BRONZE T=0.30mm.
 - PLATING: 1. CONTACT AREA-SELECTIVE GOLD PLATING.
2. TAILS PLATING TIN OVER NICKEL.
 - SHIELD: 0.20mm THICKNESS H65Y BRASS NICKEL PLATED.
 - MATING/UNMATING FORCE: 2.2KG.F MAX.
 - RETENTION STRENGTH: 7.7KG.F MIN BETWEEN JACK AND PLUG.
 - OPERATING LIFE: 600 CYCLES MIN.
- ENVIRONMENTAL:
- STORAGE: -40°C ~ +85°C RELATIVE HUMIDITY<70%.
 - OPERATION: -40°C ~ +85°C.
- Remark:
- The mark with★ is the key inspection dimension for QC.



EAST-56H-318820214101-NBJ

- CONTACTS (金针根数): _____
- 1-1. 2. 3. 6 PIN; 8-CONTACTS (8C)
- LED STYLE (LED 颜色类型): _____
- 1-L LED: GREEN, R LED: YELLOW (左绿右黄)
- 2-L LED: YELLOW, R LED: GREEN (左黄右绿)
- 3-L LED: GREEN, R LED: GREEN (双绿)
- EMI (弹片): _____
- 1-W/O EMI (无弹片)
- PLASTIC (塑料): _____
- 1-PBT;
- 3-NYLON46 (尼龙46);
- 4-LCP
- COLOR (颜色): _____
- 1-BLACK (黑色)
- GOLD PLATING (镀金厚度): _____
- 1-FU"; 2-1.5U"; 3-3U"; 4-6U";
- 5-15U"; 6-30U"; 7-50U"



TOLERANCES UNLESS OTHERWISE SPECIFIED: X. --- X.X ± 0.38 X.XX ± 0.25 X.XXX ± 0.10 Angle ± 1°	CUSTOMER COPY		深圳市东方御业科技有限公司 WWW.DFYCONN.COM TEL:0755-27155560		
	DRAWN: CHENLEI	2017/09/10	TITL: RJ45 90° LED 超薄 NBJ型		
THESE DRAWING AND SPECIFICATION ARE THE PROPERTY OF Shenzhen Dongfangyuye ELECTRONIC CO., LTD.. SHALL NOT BE REPRODUCED.	CHECKED: CHENLEI	2017/09/10	PART NO: EAST-56H-318820214101-NBJ		
	APPROVED: QINKAIXING	2017/09/10	UNIT: mm	SCALE: N/A	SHEET: 1:1