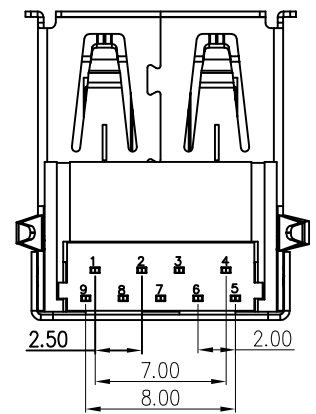
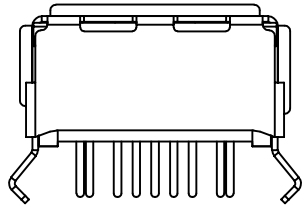
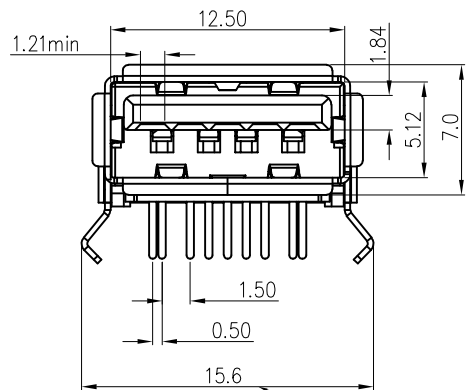
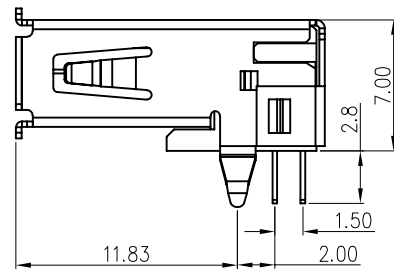
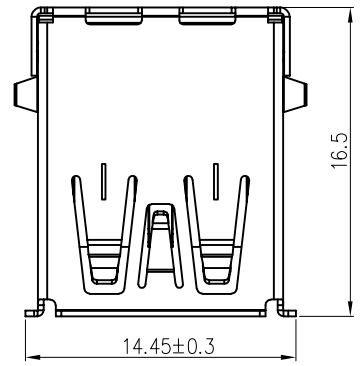
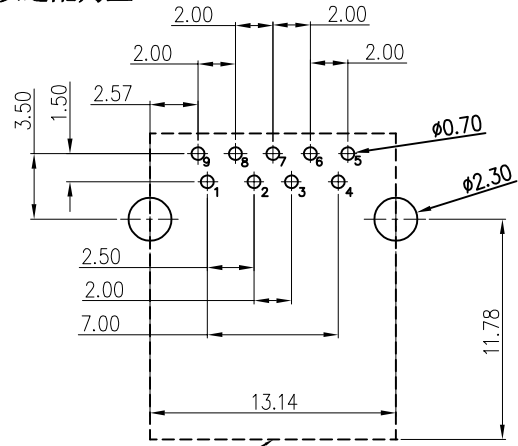


REV.	ECN NO.	MODIFY MATTER	DATE	APPROVED
A		RELEASE TO PRODUCTION		



此尺寸以适配为主



CONNECTOR FRONT EDGE

Remark:

- 1.MATERIAL:
  - 1.1 Housing:thermoplastic plastics.
  - 1.2 terminals:Copper Alloy
  - 1.3 Shell:Copper Alloy/SPCC.
- 2.characteristics:
  - 2.1 Rating Voltage : 30V AC.
  - 2.2 Rating Current:PIN1&PIN4(Vbus&Correponding ground PIN)
    - 1.8A MAX Other PINS 0.25A min.
  - 2.3 Contact Resistance:PIN1&PIN4:30 mΩ MAX. Other PINS: 50 mΩ
  - 2.4 Insulation Resistance:100 MΩ MIN.
  - 2.5 Withstanding Voltage:AC 100V between adjacent contacts
  - 2.6 Mating force: 3.57Kgf MAX(35N MAX)
  - 2.7 Extraction force:1.02Kgf Min(10N Min)
  - 2.8 Life test:1500Cycles MIN.
  - 2.9 Temperature Range: -55℃~+85℃.

EAST-USB3D11S-1BBER

- D:DIP
- S:SMT
- S:铁壳镀镍
- C:铜壳镀镍
- BK:黑色
- BE:蓝色300C
- P:PA66
- B:PBT
- L:LCP
- 1:半金1u"
- 8:半金15u"

TOLERANCES UNLESS OTHERWISE SPECIFIED: X. --- X.X ± 0.38 X.XX ± 0.25 X.XXX ± 0.10 Angle ±1°	COSTOMER COPY <b>深圳市东方御业科技有限公司</b> WWW.DFYCCONN.COM TEL:0755-27155560	
	DRAWN: CHENLEI	2017/09/10 TITL: USB 3.0 AF 90度 DIP
	CHECKED: CHENLEI	2017/09/10 PART NO: <b>EAST-USB3D11S-1BBER</b>
	APPROVED: QINKAIXING	2017/09/10 UNIT: mm SCALE: N/A SHEEL: 1:1 REV.