

REV.	ECN NO.	MODIFY MATTER	DATE	APPROVED
A		RELEASE TO PRODUCTION		

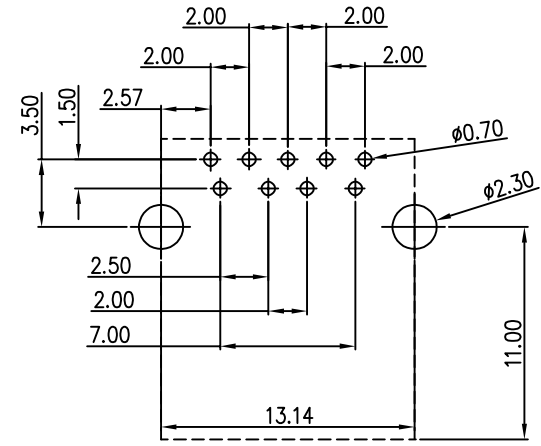
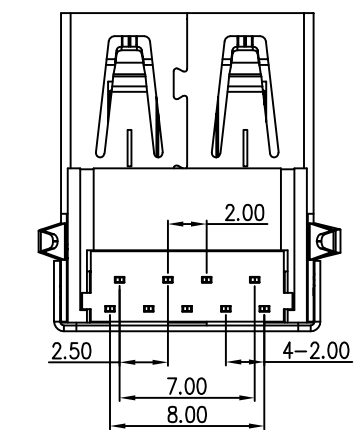
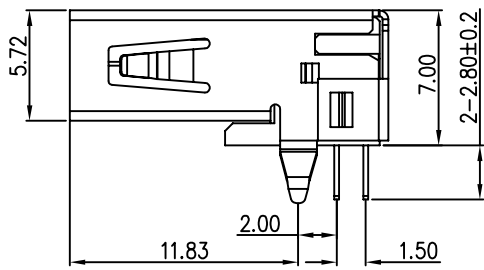
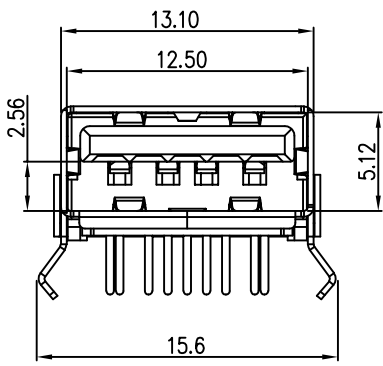
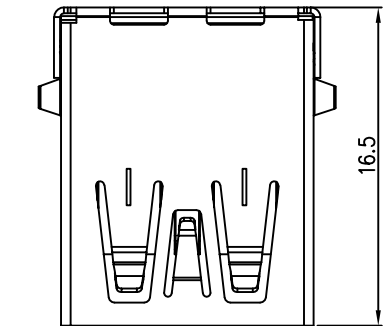
Remark:

1.MATERIAL:

- 1.1 Housing:thermoplastic plastics.
- 1.2 terminals:Copper Alloy
- 1.3 Shell:Copper Alloy/SPCC.

2.characteristics:

- 2.1 Rating Voltage : 30V AC.
- 2.2 Rating Current:PIN1&PIN4(Vbus&Correponding ground PIN)
1.8A MAX Other PINS 0.25A min.
- 2.3 Contact Resistance:PIN1&PIN4:30 mΩ MAX. Other PINS: 50 mΩ
- 2.4 Insulation Resistance:100 MΩ MIN.
- 2.5 Withstanding Voltage:AC 100V between adjacent contacts
- 2.6 Mating force: 3.57Kgf MAX(35N MAX)
- 2.7 Extraction force:1Kgf Min(9.8N Min)
- 2.8 Life test:1500Cycles MIN.
- 2.9 Temperature Range: -30℃~+80℃.



EAST-USB3D22S-1BBER

- D:DIP
- S:SMT
- S:铁壳镀镍
- C:铜壳镀镍
- BK:黑色
- BE:蓝色300C
- P:PA66
- B:PBT
- L:LCP
- 1:半金1u"
- 8:半金15u"

TOLERANCES UNLESS OTHERWISE SPECIFIED: X. --- X.X ± 0.38 X.XX ± 0.25 X.XXX ± 0.10 Angle ±1°	CUSTOMER COPY 深圳市东方御业科技有限公司 WWW.DFYCONN.COM TEL:0755-27155560	
	DRAWN: CHENLEI	DATE: 2017/09/10
	CHECKED: CHENLEI	DATE: 2017/09/10
	APPROVED: QINKAIXING	DATE: 2017/09/10
THESE DRAWING AND SPECIFICATION ARE THE PROPERTY OF Shenzhen Dongfangyue ELECTRONIC CO., LTD.. SHALL NOT BE REPRODUCED.	TITIAL: USB 3.0 AF 90度无卷边 (PART NO: EAST-USB3D22S-1BBER) SCALE: N/A SHEEL: 1:1 REV.	
UNIT: mm		SCALE: N/A SHEEL: 1:1 REV.