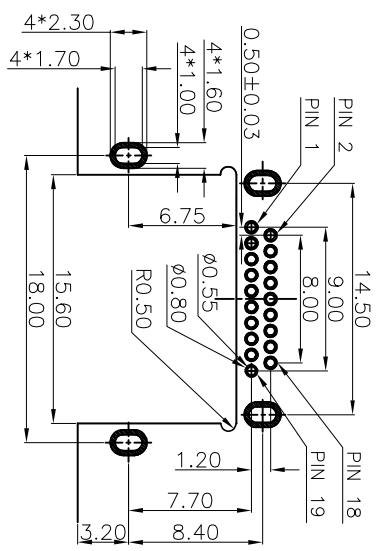
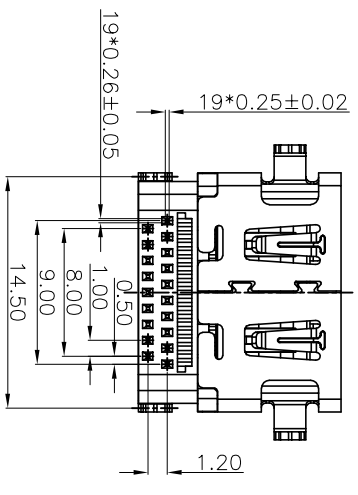
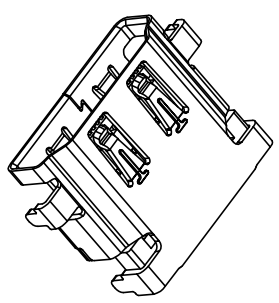
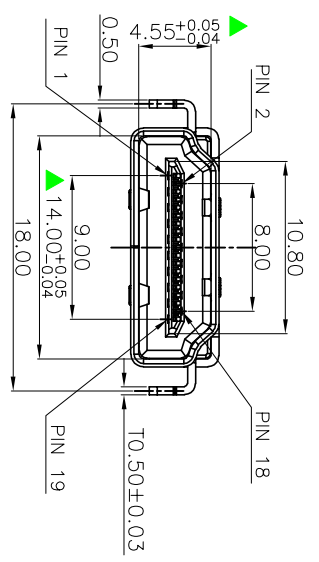
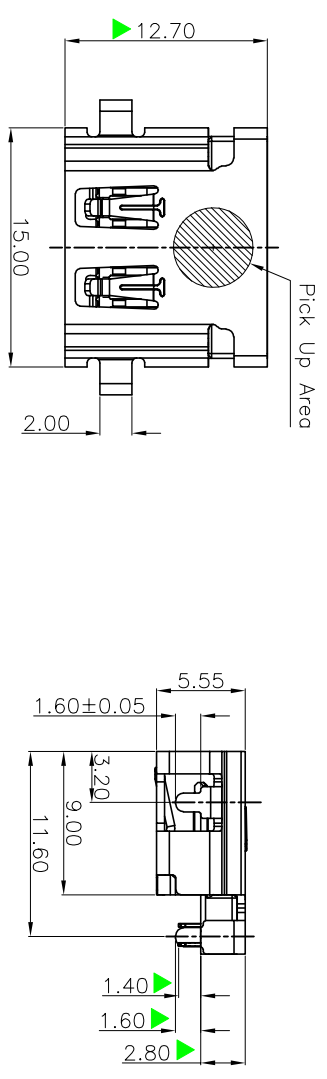


REV.	ECN NO.	MODIFY MATTER	DATE	APPROVED
A		RELEASE TO PRODUCTION		

- NOTES:
- 1.ELECTRONIC:  
CONTACT RESISTANCE: 20mohm MAX  
INSULATION RESISTANCE: 1000 Mohm MIN  
WITHSTAND VOLTAGE:AC 500V,1min.
  - 2.MECHANICAL:  
DURABILITY: 10000 CYCLE.
  - 3.ENVIRONMENT CHARACTERISTICS:  
OPERATING TEMPERATURE:-55°C TO +105°C
  - 4.RECOMMANDER PCB THICKNESS 1.2 TO 1.60MM
  - 5.标示“▲”符号的尺寸为重点检验尺寸。
  - 6.MATERIAL LIST:

No.	PART NAME	QTY	MATERIAL	REMARK
3	SHELL	1	SUS 201 T=0.50	NI PLATED
2	CONTACT	19	COPPER ALLOY T=0.20	AU/TIN PLATED (UL 94V-0) BLACK
1	HOUSING	1	THERMOPLASTIC	



PIN	SIGNAL ASSIGNMENT	PIN	SIGNAL ASSIGNMENT
1	TMD5 Deda2+	11	TMD5 Clock Shield
2	TMD5 Deda2 Shield	12	TMD5 Clock-
3	TMD5 Deda2-	13	CEC
4	TMD5 Deda+	14	Reserved (i.e. on device)
5	TMD5 Deda1 Shield	15	SCL
6	TMD5 Deda1-	16	SDA
7	TMD5 Deda0+	17	DDC/CEC Ground
8	TMD5 Deda0 Shield	18	+5V Power
9	TMD5 Deda0-	19	Hot Plug Detect
10	TMD5 Clock+		

RECOMMENDED PCB LAYOUT T=1.60  
GENERAL TOLERANCES:±0.05

TOLERANCES UNLESS OTHERWISE SPECIFIED:  
X.X ± 0.38  
X.XX ± 0.25  
X.XXX ± 0.10  
Angle ±1°

THESE DRAWING AND SPECIFICATION ARE THE PROPERTY OF Shenzhen Dongfangyue Electronic Co., Ltd. SHALL NOT BE REPRODUCED.

DESKTOP: CHENLEI  
CHECKED: CHENLEI  
APPROVED: QINKAXING

DATE: 2017/09/10  
DATE: 2017/09/10  
DATE: 2017/09/10

SCALE: N/A  
SHEET: 1/1

REV: (RHS)

PART NO: EAST-HD19B1N280R

UNIT: mm

DATE: 2017/09/10

SCALE: N/A

SHEET: 1/1

REV: (RHS)

深圳市东方御业科技有限公司  
WWW.DFYCONN.COM TEL:0755-27155560

CUSTOMER COPY  
HDMI 19P FEMALE REVERSE  
DIP H2.80