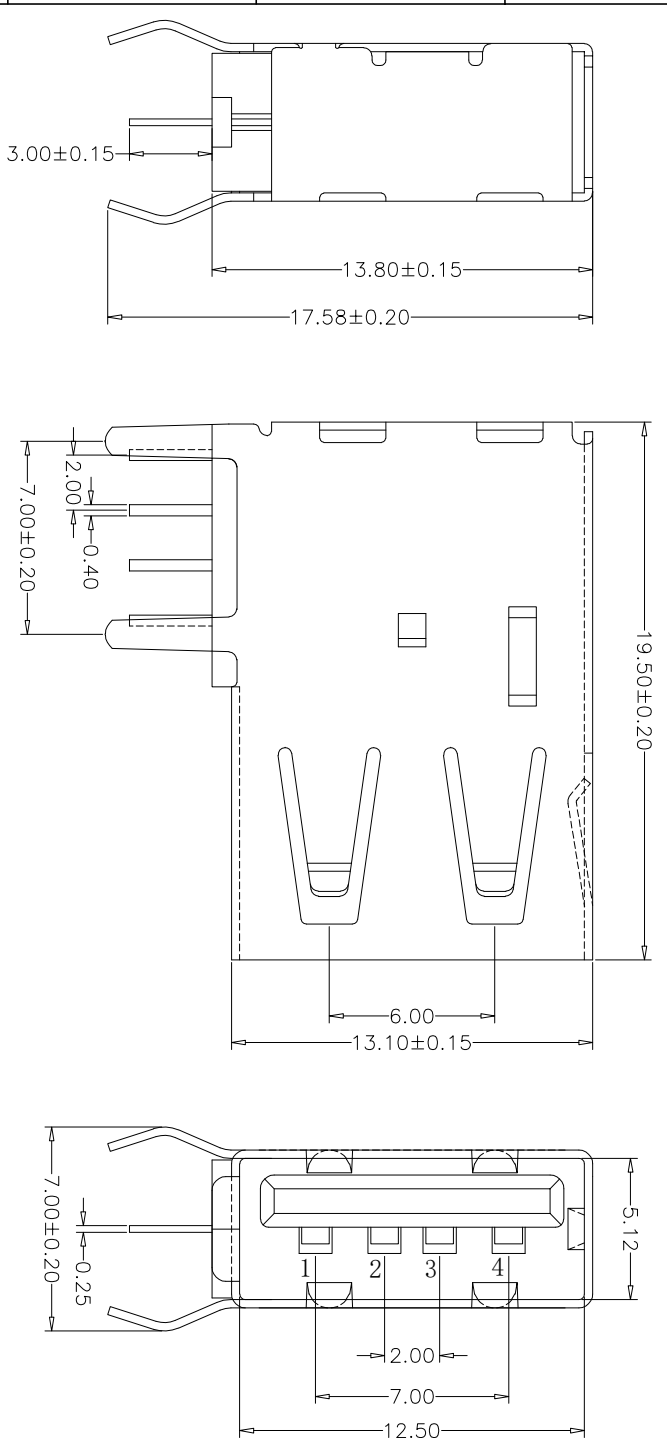
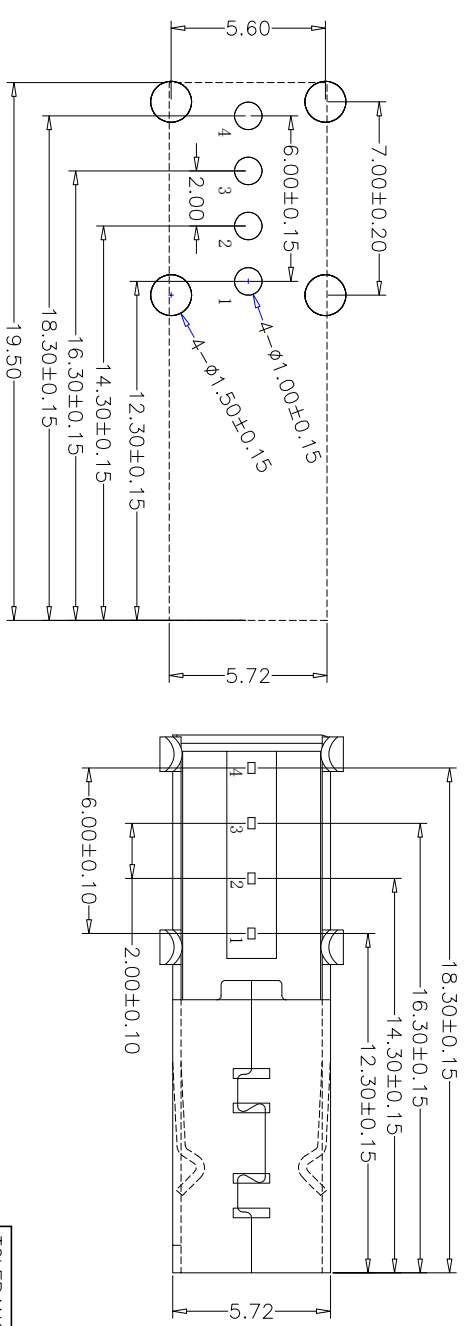


| REV. | ECN NO. | MODIFY MATTER         | DATE | APPROVED |
|------|---------|-----------------------|------|----------|
| A    |         | RELEASE TO PRODUCTION |      |          |



- NOTE:
- Material:
    - Housing: Thermoplastics, UL94V-0 (ROHS, HF)
    - Contact: Phosphor Bronze C5191-EH/C2680-EH, T=0.25mm
    - Shell: COPPER ALLOY T=0.30mm
  - FINISH:
    - Contact: 15u" Gold Plated on Contact Area, 80u" Min. Tin Plated on Solder Area
    - 50u" Min. Nickel Underplating Over All.
    - Shell: 50u" Min. Nickel Underplating Over All.
  - Specification:
    - Rating:
      - Rated voltage 500V AC/DC. Rated current: 2 A Max.
    - Electrical:
      - Insulation Resistance (EIA-364-21): 1000MΩ Min. at 500V/DC for 1Minute.
      - Contact Resistance (EIA-364-23): 30 mΩ Max. at 20mV Max, 50mA
    - Dielectric Withstanding Voltage (EIA-364-20): No discharge, Flashover or breakdown at 500V/AC 1Minute
    - Plug extraction force shall be between 1.0kgf and 2.00kgf



# EAST-USB2B1XOPX1R

- 1: 铁壳镀镍
- 5: 铜壳镀镍
- 1: 吸塑盒
- B: 黑色
- W: 白色
- P: PBT
- L: LCP

RECOMMENDED PCB LAYOUT

|  |        |                   |  |                     |  |                  |  |                      |  |                            |  |          |  |            |  |            |  |      |  |
|--|--------|-------------------|--|---------------------|--|------------------|--|----------------------|--|----------------------------|--|----------|--|------------|--|------------|--|------|--|
| TOLERANCES UNLESS OTHERWISE SPECIFIED: |        | COSTOMER COPY     |  | DRAWN: 2017/09/10   |  | CHECKED: CHENLEI |  | APPROVED: 2017/09/10 |  | PART NO: EAST-USB2B1XOPX1R |  | UNIT: mm |  | SCALE: N/A |  | SHEET: 1-1 |  | REV: |  |
| X                                      | ± 0.38 | 深圳市东方御业科技有限公司     |  | TEL: 40755-27155560 |  | CHENLEI          |  | 2017/09/10           |  | USB A/F侧立长体无卷边             |  | mm       |  | N/A        |  | 1-1        |  |      |  |
| X                                      | ± 0.25 | W.W.DF.YC@DNN.COM |  |                     |  | CHENLEI          |  | 2017/09/10           |  | EAST-USB2B1XOPX1R          |  |          |  |            |  |            |  |      |  |
| X                                      | ± 0.10 |                   |  |                     |  | CHENLEI          |  | 2017/09/10           |  | EAST-USB2B1XOPX1R          |  |          |  |            |  |            |  |      |  |
| X                                      | ± 1°   |                   |  |                     |  | CHENLEI          |  | 2017/09/10           |  | EAST-USB2B1XOPX1R          |  |          |  |            |  |            |  |      |  |

THESE DRAWING AND SPECIFICATION ARE THE PROPERTY OF Shenzhen Dongfangyue ELECTRONIC CO., LTD. SHALL NOT BE REPRODUCED.