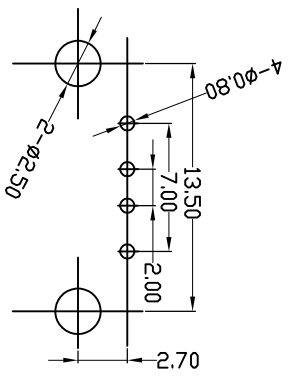
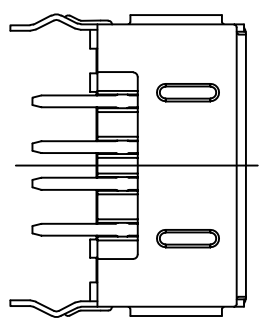
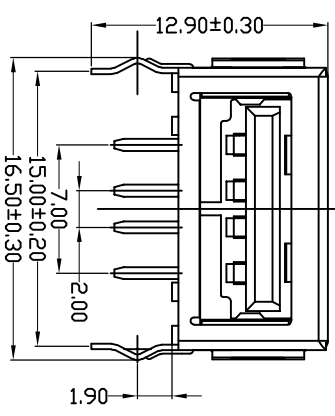
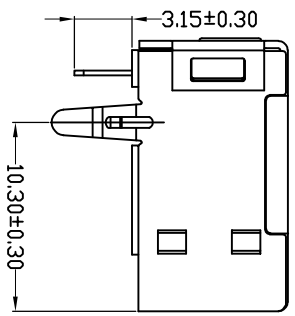
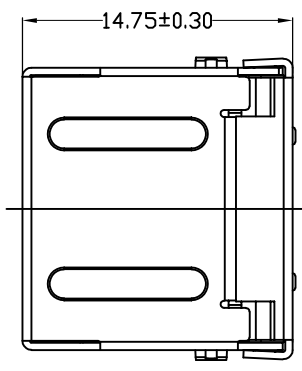
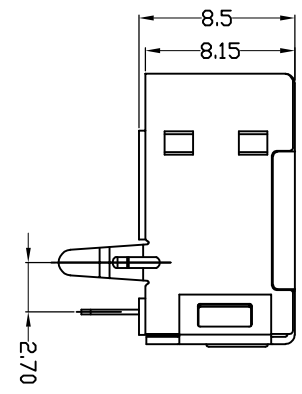


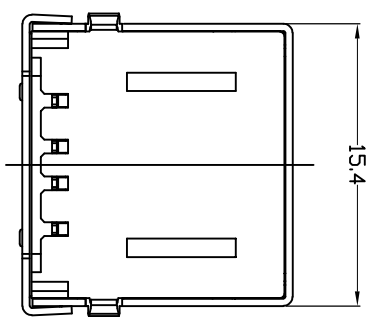
REV.	ECN NO.	MODIFY MATTER	DATE	APPROVED
A		RELEASE TO PRODUCTION		

NOTES:

1. MATERIAL SPECIFICATION:
- 1) HOUSING: THERMOPLASTIC (UL94V-0)
- 2) SHELL: SEE PART NO. PLATING: NICKEL
- 3) TERMINAL: COPPER ALLOY PLATING: GOLD/TIN PLATED;
2. ELECTRICAL CHARACTERISTIC:
- 1) VOLTAGE CURRENT RATING: 1AMP, 30V DC;
- 2) INSULATION RESISTANCE: 1000MΩMIN;
- 3) CONTACT RESISTANCE: 30mΩMAX;
- 4) WITHSTANDING VOLTAGE: 500V AC;



PCB LAYOUT



EAST-USB2F1XOPX1R

- 1: 铁壳镀镍
- 5: 铜壳镀镍

- 1: 吸塑盒
- B: 黑色
- W: 白色
- P: PBT
- L: LCP

TOLERANCES UNLESS OTHERWISE SPECIFIED:		DRAWN: CHENLEI		CHECKED: CHENLEI		APPROVED: QINKAXING	
X	± 0.38	CUSTOMER COPY		DATE: 2017/09/10		DATE: 2017/09/10	
X X	± 0.25	COSTOMER COPY		DATE: 2017/09/10		DATE: 2017/09/10	
X XXX	± 0.10	DRAWING: CHENLEI		DATE: 2017/09/10		DATE: 2017/09/10	
X XXXX	±1°	CHECKED: CHENLEI		DATE: 2017/09/10		DATE: 2017/09/10	
Angle		APPROVED: QINKAXING		DATE: 2017/09/10		DATE: 2017/09/10	
<p>THESE DRAWING AND SPECIFICATION ARE THE PROPERTY OF Shenzhen Dongfangyue ELECTRONIC CO., LTD. SHALL NOT BE REPRODUCED.</p>							
<p>深州市东方御业科技有限公司 WWW.DFYCOON.COM TEL: 0755-27155560</p>				<p>UNIT: mm</p>			
<p>PART NO: EAST-USB2F1XOPX1R</p>				<p>SCALE: N/A</p>			
<p>USB A/F DIP 90° 单层全包</p>				<p>SHEET: 1-1</p>			
<p>(6015)</p>				<p>REV:</p>			