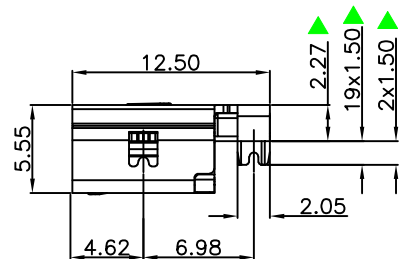
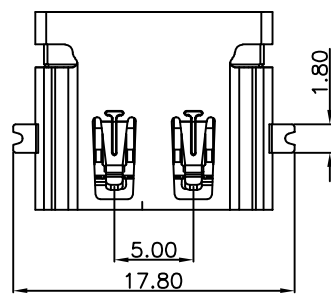
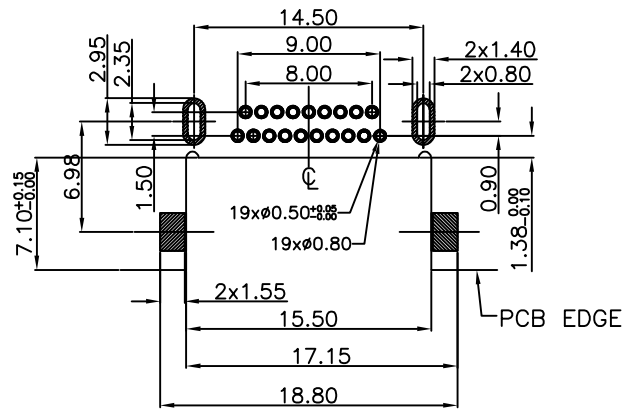
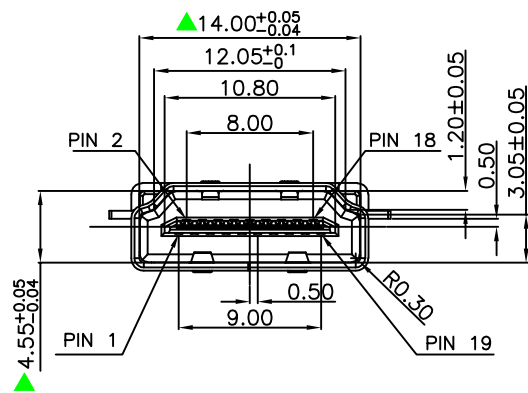


REV.	ECN NO.	MODIFY MATTER	DATE	APPROVED
A		RELEASE TO PRODUCTION		

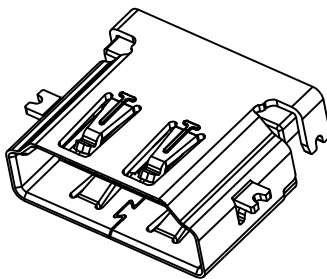
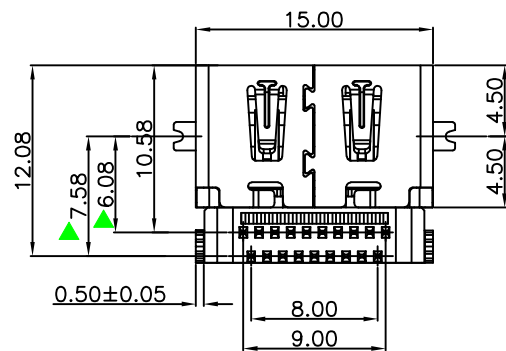


NOTES:

- ELECTRONIC:**
CONTACT RESISTANCE: 20mohm MAX
INSULATION RESISTANCE: 1000 Mohm MIN
WITHSTAND VOLTAGE: AC 500V, 1min.
- MECHANICAL:**
DURABILITY: 10000 CYCLE.
- ENVIRONMENT CHARACTERISTICS:**
OPERATING TEMPERATURE: -55°C TO +105°C
- RECOMMANDER PCB THICKNESS 1.2 TO 1.60MM**
- 标示” ”符号的尺寸为重点检验尺寸。



RECOMMENDED PCB LAYOUT
GENERAL TOLERANCES: ±0.05



PIN	SIGNAL ASSIGNMENT	PIN	SIGNAL ASSIGNMENT
1	TMDS Data2+	11	TMDS Clock Shield
2	TMDS Data2 Shield	12	TMDS Clock-
3	TMDS Data2-	13	CEC
4	TMDS Data+	14	Reserved (N.C. on device)
5	TMDS Data1 Shield	15	SCL
6	TMDS Data1-	16	SDA
7	TMDS Data0+	17	DDC/CEC Ground
8	TMDS Data0 Shield	18	+5V Power
9	TMDS Data0-	19	Hot Plug Detect
10	TMDS Clock+		

TOLERANCES UNLESS OTHERWISE SPECIFIED: X. --- X.X ± 0.38 X.XX ± 0.25 X.XXX ± 0.20 Angle ± 3°		CUSTOMER COPY		深圳市东方御业科技有限公司 WWW.DFYCONN.COM TEL:0755-27155560	
DRAWN: CHENLEI 2017/09/10		CHECKED: CHENLEI 2017/09/10		TITIAL: HDMI 19P FEMALE 反向沉板 DIP CH0.50 BH2.27 (RoHS)	
APPROVED: QINKAIXING 2017/09/10		PART NO: EAST-HD19B3N1285		DRAWING NO:	
THESE DRAWING AND SPECIFICATION ARE THE PROPERTY OF Shenzhen Dongfangyuye ELECTRONIC CO., LTD.. SHALL NOT BE REPRODUCED.		UNIT: mm		SCALE: N/A SHEEL: REV.	

DO NOT SCALE PRINT