

REV.	ECN NO.	MODIFY MATTER	DATE	APPROVED
A		RELEASE TO PRODUCTION		

- NOTES:**
- ELECTRONIC:**
CONTACT RESISTANCE: 30mohm MAX
INSULATION RESISTANCE: 1000 Mohm MIN
WITHSTAND VOLTAGE: AC 500V, 1min.
 - MECHANICAL:**
DURABILITY: 5000 CYCLE.
 - ENVIRONMENT CHARACTERISTICS:**
OPERATING TEMPERATURE: -55°C TO +105°C
 - RECOMMENDER PCB THICKNESS 1.2 TO 1.60MM**
 - 标标"▲"符的尺寸为重点检验尺寸;
 - MATERIAL LIST:**

3	SHELL	1	STAINLESS SUS201	NI PLATED
2	CONTACT	9	COPPER ALLOY	AU/TIN PLATED
1	HOUSING	1	PA9T BLUE	(UL 94V-0)
No.	PART NAME	QTY	MATERIAL	REMARK

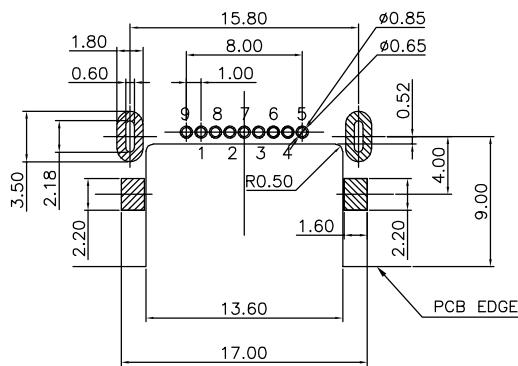
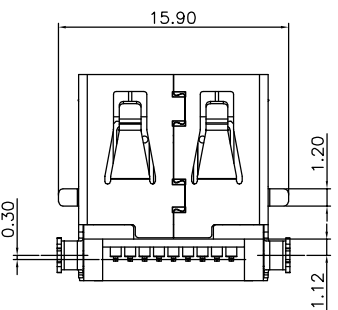
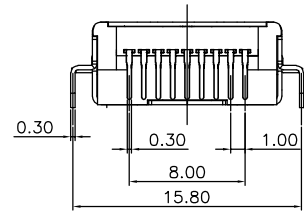
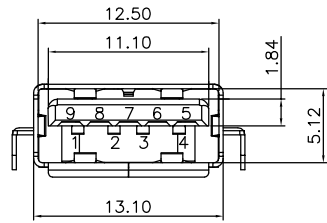
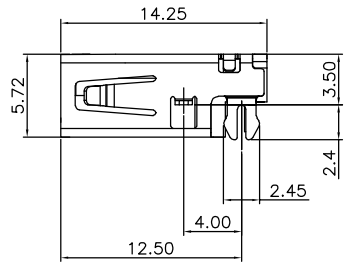
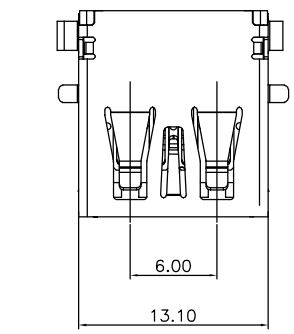
EAST-USB309L1N12252-BE

X	Terminal Plating
0	Au 1u" Plating
1	Au 3u" Plating
2	Au 6u" Plating
3	Au 15u" Plating

XX	Housing Color
BK	Black
BE	Blue

USB 3.0 PIN ASSIGNMENTS

Pin #	SIGNAL NAME	DESCRIPTION	MATING SEQUENCE
1	VBUS	POWER	SECOND
2	D-	USB 2.0 DIFFERENTIAL PAIR	THIRD
3	D+		
4	GND	GROUND FOR POWER RETURN	SECOND
5	StdA_SSRX-	SUPERSPEED RECEIVER DIFFERENTIAL PAIR	LAST
6	StdA_SSRX+		
7	GND_DRAIN	GROUND FOR SIGNAL RETURN	
8	StdA_SSTX-	SUPERSPEED TRANSMITTER DIFFERENTIAL PAIR	
9	StdA_SSTX+		
Shell	Shield	CONNECTOR METAL SHELL	FRIST



TOLERANCE: ±0.05,
RECOMMENDED PCB LAYOUT
(TOP VIEW)

TOLERANCES UNLESS OTHERWISE SPECIFIED: X. --- X.X ± 0.38 X.XX ± 0.25 3X.XXX ± 0.10 Angle ± 1°	CUSTOMER COPY 深圳市东方御业科技有限公司 WWW.DFYCONN.COM TEL:0755-27155560	
	DRAWN: CHENLEI	DATE: 2017/09/10
	CHECKED: CHENLEI	DATE: 2017/09/10
	APPROVED: QINKAIXING	DATE: 2017/09/10
THESE DRAWING AND SPECIFICATION ARE THE PROPERTY OF Shenzhen Dongfangyeye ELECTRONIC CO., LTD.. SHALL NOT BE REPRODUCED.		TITL: USB 3.0 AF 沉板H3.50 DIP 外壳鱼叉脚 无卷边 (RoHS)
PART NO: EAST-USB309L1N12252-BE		UNIT: mm
SCALE: N/A		SHEET: 1:1
REV.		REV.