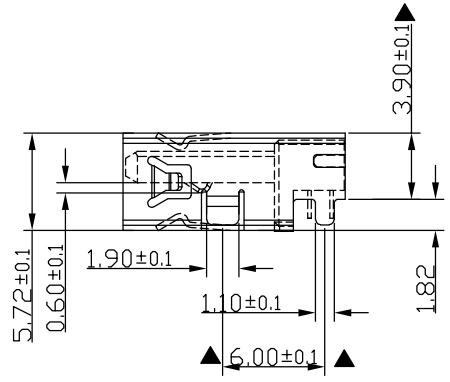
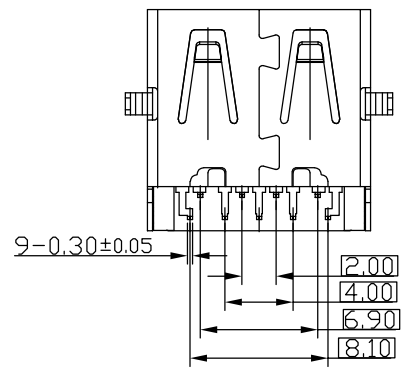
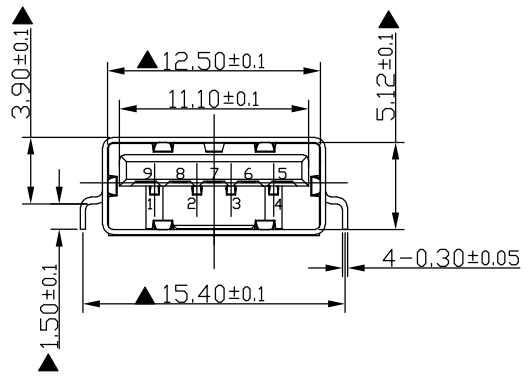
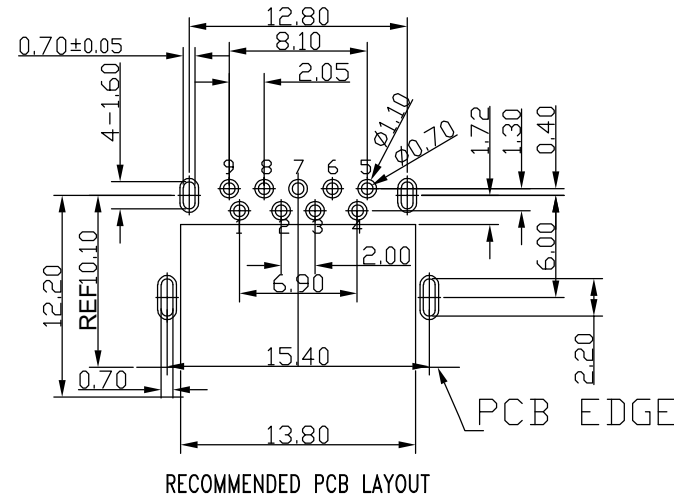
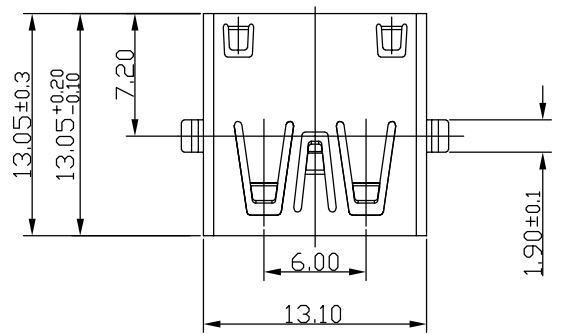


| REV. | ECN NO. | MODIFY MATTER | DATE | APPROVED |
|------|---------|-----------------------|------|----------|
| A | | RELEASE TO PRODUCTION | | |



NOTES:

- 1.ELECTRONIC:**
CONTACT CURRENT RATING:1.5A
CONTACT RESISTANCE: 30mohm MAX
INSULATION RESISTANCE: 1000 Mohm MIN
WITHSTAND VOLTAGE:AC 500V,1min.
- 2.MECHANICAL:**
MATING FORCE:3.57KG MAX
UNMATED FORCE:1.02KG MIN
- 3.ENVIRONMENT CHARACTERISTICS:**
OPERTING TEMPERATURE:-55°C TO +105°C
- 4.**标示"▲"符号的尺寸为重点检验尺寸。
- 5.MATERIAL LIST:**

| No. | PART NAME | QTY | MATERIAL | REMARK |
|-----|-----------|-----|---------------|-----------------|
| 3 | SHELL | 1 | STAINLESS | NI PLATED |
| 2 | CONTACT | 9 | COPPER ALLOY | AU /TIN PLATED |
| 1 | HOUSING | 1 | THERMOPLASTIC | (UL 94V-0) BLUE |

EAST-USB309L3012215-BK

| | |
|---|------------------|
| X | Terminal Plating |
| 0 | Au 1u" Plating |
| 1 | Au 3u" Plating |
| 2 | Au 6u" Plating |
| 3 | Au 15u" Plating |

| | |
|----|---------------|
| XX | Housing Color |
| BK | Black |
| BE | Blue |

| | | |
|---|------------|---|
| TOLERANCES UNLESS OTHERWISE SPECIFIED: X. --- X.X ± 0.38 X.XX ± 0.25 X.XXX ± 0.10 Angle ±1° | | COSTOMER COPY 深圳市东方御业科技有限公司 WWW.DFYCONN.COM TEL:0755-27155560 |
| DRAWN: CHENLEI | 2017/09/10 | TITAL: USB 3.0 AF R&A DIP L13.05 H3.90 无卷边 (RoHS) |
| CHECKED: CHENLEI | 2017/09/10 | PART NO: EAST-USB309L3012215-BK |
| APPROVED: QINKAIXING | 2017/09/10 | UNIT: mm SCALE: N/A SHEEL: 1:1 REV. |
| THESE DRAWING AND SPECIFICATION ARE THE PROPERTY OF Shenzhen Dongfangyue ELECTRONIC CO., LTD., SHALL NOT BE REPRODUCED. | | |