

REV.	ECN NO.	MODIFY MATTER	DATE	APPROVED
A		RELEASE TO PRODUCTION		

Notes:

1) Material:

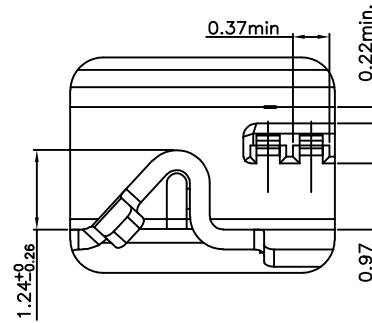
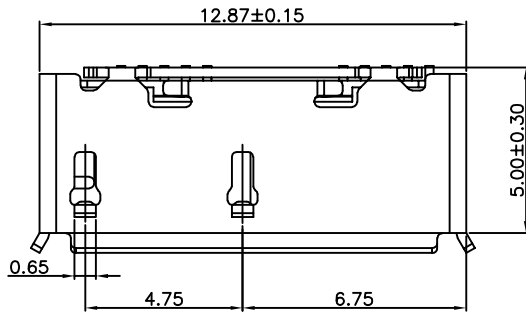
Insulator : Thermoplastic G.F. UL94V-0
 Contacts : Copper Alloy
 Shell : Metal

2) Environmental :

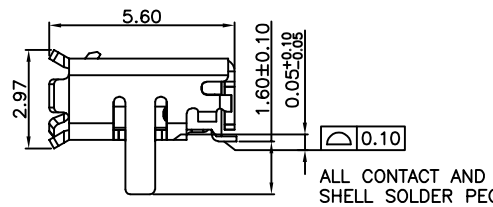
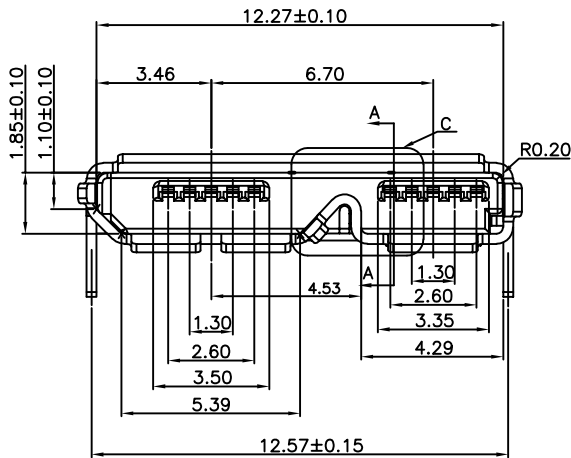
-55°C to +105°C

3) Finish

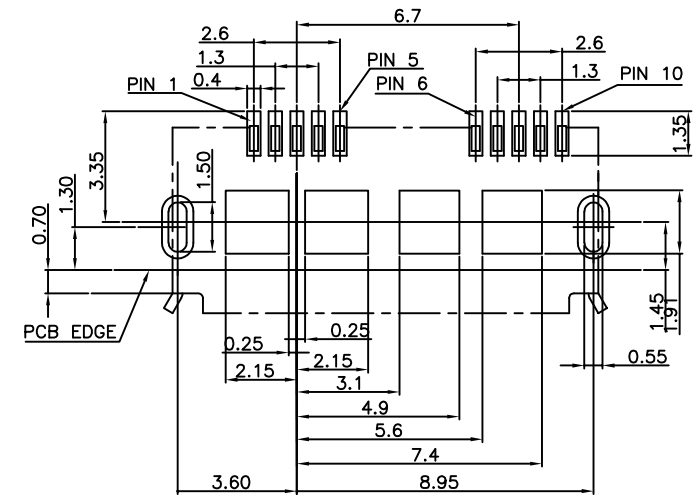
Shell : 50u"min. Solderable Ni
 Contacts : 1~30u" min. Gold on mating area.
 100u" min. Tin on the tails.



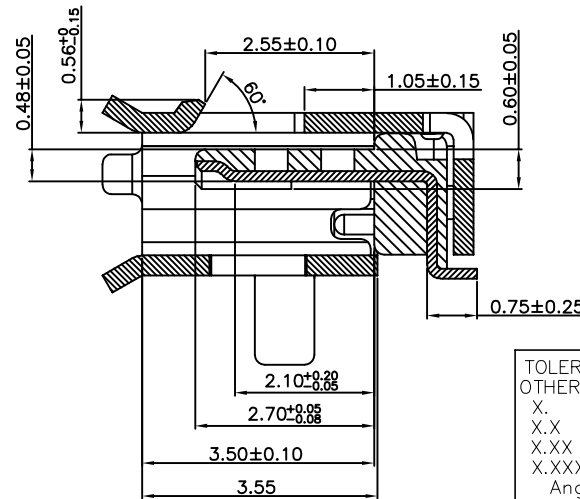
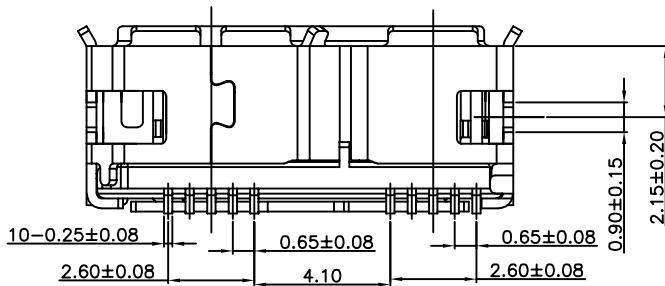
Detail C(2:1)



ALL CONTACT AND SHELL SOLDER PEG



RECOMMENDED P.C.B LAYOUT



SECTION "A-A"(2:1)

EAST-MICUSB3S22-1BBER

BK: 黑色
 BE: 蓝色

TOLERANCES UNLESS OTHERWISE SPECIFIED: X. --- X.X ± 0.38 X.XX ± 0.25 X.XXX ± 0.10 Angle ± 1°		COSTOMER COPY		深圳市东方御业科技有限公司 WWW.DFYCONN.COM TEL:0755-27155560	
DRAWN: CHENLEI		2017/09/10		TITL: MICRO USB 3.0 B/F外壳两插板	
CHECKED: CHENLEI		2017/09/10		PART NO: EAST-MICUSB3S22-1BBER	
APPROVED: QINKAIXING		2017/09/10		UNIT: mm	
THESE DRAWING AND SPECIFICATION ARE THE PROPERTY OF Shenzhen Dongfangyue ELECTRONIC CO., LTD., SHALL NOT BE REPRODUCED.		SCALE: N/A		SHEEL: 1:1	