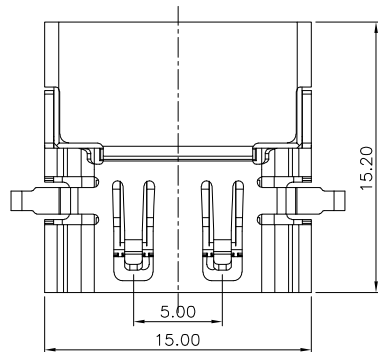
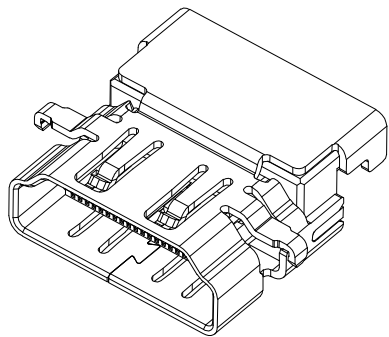


REV.	ECN NO.	MODIFY MATTER	DATE	APPROVED
A		RELEASE TO PRODUCTION		



NOTES:

1.ELECTRONIC:

CONTACT RESISTANCE: 20mohm MAX  
 INSULATION RESISTANCE: 1000 Mohm MIN  
 WITHSTAND VOLTAGE:AC 500V,1min.

2.MECHANICAL:

DURABILITY: 10000 CYCLE.

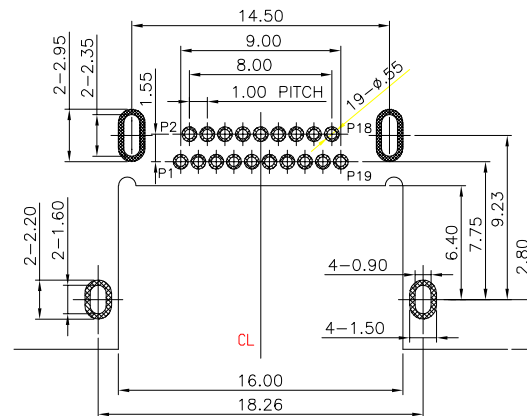
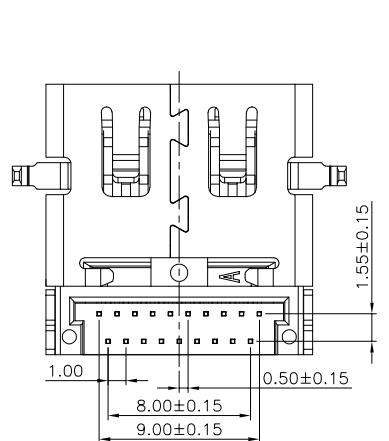
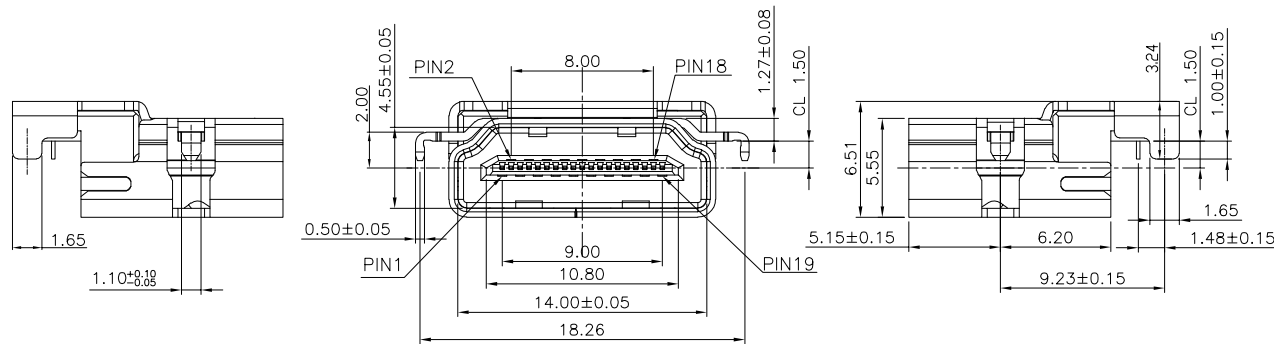
3.ENVIRONMENT CHARACTERISTICS:

OPERING TEMPERATURE: -55°C TO +105°C

4.RECOMMANDER PCB THICKNESS 1.2

5.MATERIAL LIST:

No.	PART NAME	QTY	MATERIAL	REMARK
3	SHELL	1	SK7 T=0.50	NI PLATED
2	CONTACT	19	COPPER ALLOY T=0.20	AU/TIN PLATED
1	HOUSING	1	THERMOPLASTIC	(UL 94V-0) BLACK



TOLERANCE: ±0.05  
 RECOMMENDED PCB LAYOUT  
 (TOP VIEW)

PIN	SIGNAL ASSIGNMENT	PIN	SIGNAL ASSIGNMENT
1	TMDS Data2+	11	TMDS Clock Shield
2	TMDS Data2 Shield	12	TMDS Clock-
3	TMDS Data2-	13	CEC
4	TMDS Data+	14	Reserved (N.C. on device)
5	TMDS Data1 Shield	15	SCL
6	TMDS Data1-	16	SDA
7	TMDS Data0+	17	DDC/CEC Ground
8	TMDS Data0 Shield	18	+5V Power
9	TMDS Data0-	19	Hot Plug Detect
10	TMDS Clock+		

TOLERANCES UNLESS OTHERWISE SPECIFIED: X. --- X.X ± 0.38 X.XX ± 0.25 X.XXX ± 0.10 Angle ±1°		COSTUMER COPY		<b>深圳市东方御业科技有限公司</b> WWW.DFYCONN.COM TEL:0755-27155560	
DRAWN: CHENLEI		2017/09/10		TITAL: HDMI AF 19P RVS DIP CH1.50 (RoHS)	
CHECKED: CHENLEI		2017/09/10		PART NO: EAST-HD19B2N12215	
APPROVED: QINKAIXING		2017/09/10		DRAWING NO:	
THESE DRAWING AND SPECIFICATION ARE THE PROPERTY OF Shenzhen Dongfangyue ELECTRONIC CO., LTD. SHALL NOT BE REPRODUCED.		UNIT: mm		SCALE: N/A	
				SHEEL: 1:1	
				REV.	