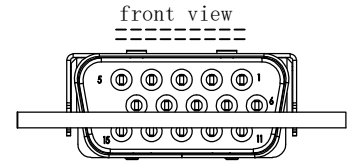
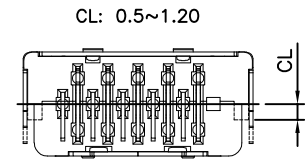
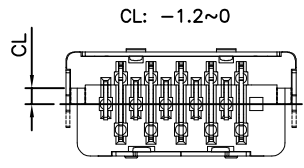
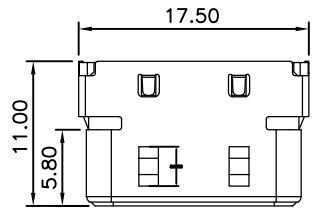
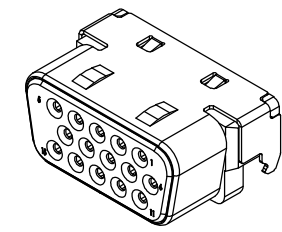
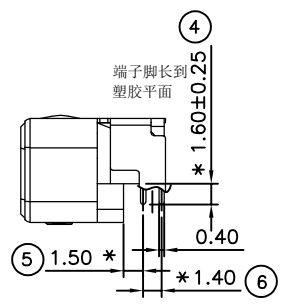
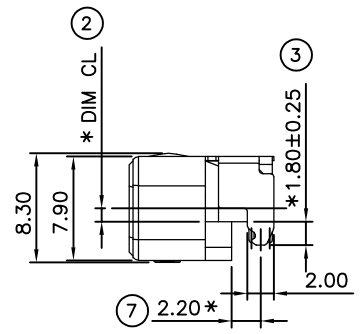
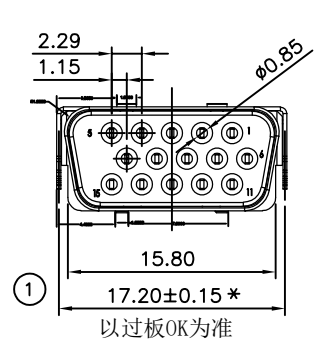


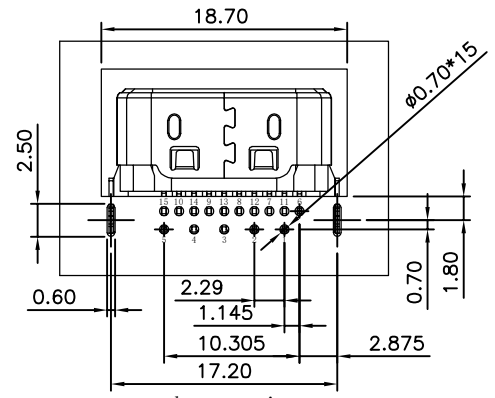
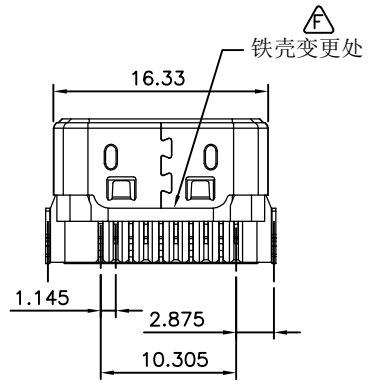
REV.	ECN NO.	MODIFY MATTER	DATE	APPROVED
A		RELEASE TO PRODUCTION		



材料:Material:
 塑胶: LCP
 端子: Contact:C2680
 Plated Gold in Mating Area;
 Tin On Solder Talls
 外壳 Shell: SPCC
 寿命测试: life test:
 1500次, 插拔速度300次/小时
 插入力MAX: 4.5Kgf Max.
 拔出力MIN: 0.45Kgf Min.
 盐雾测试: 24H



特性 Specifications:
 电器 Electrical:
 接触阻抗:Contact Resistance
 30 mΩ MAX
 耐电压 Dielectric Withstanding Voltage:
 500V AC
 绝缘阻抗:Insulation Resistance:
 1000 MΩ MIN
 Working temprayure:-30° TO +85°



RECOMMENDED P.C.B LAYOUT (COMPONENT SIDE)
 FOR P.C.B THICKNESS:1.20

EAST NO.	DIM CL
EAST-SLIM150080-005-101	-1.2
EAST-SLIM150080-005-102	-1.0
EAST-SLIM150080-005-103	-0.5
EAST-SLIM150080-005-104	0
EAST-SLIM150080-005-105	0.5
EAST-SLIM150080-005-106	1.0
EAST-SLIM150080-005-107	1.2
EAST-SLIM150080-005-109	-0.5
EAST-SLIM150080-005-110	1.2
EAST-SLIM150080-005-206	1.0
EAST-SLIM150080-005-300	0.7
EAST-SLIM150080-005-208	1.0

TOLERANCES UNLESS OTHERWISE SPECIFIED: X. --- X. X ± 0.38 X. XX ± 0.25 X. XXX ± 0.20 Angle ± 3°	COSTOMER COPY		深圳市东方御业科技有限公司 Tel:0755-2715560 WWW.DFYCONN.COM	
	DRAWN: Qinkx	2017/09/10	TITIAL: VGA超薄短体 正向CH=-1.2~1.2 (RoHS)	
	CHECKED: Chenl	2017/09/10	PART NO: EAST-SLIM150080-005-XXX	
	APPROVED: Chenl	2017/09/10	UNIT: mm	SCALE: N/A

DO NOT SCALE PRINT.