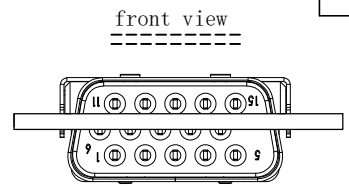
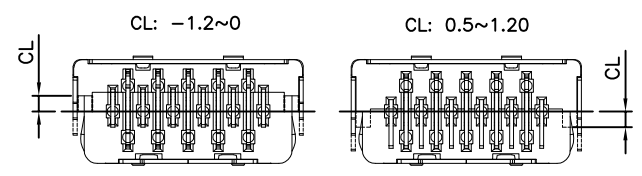
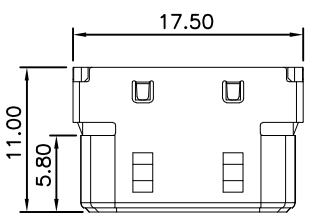
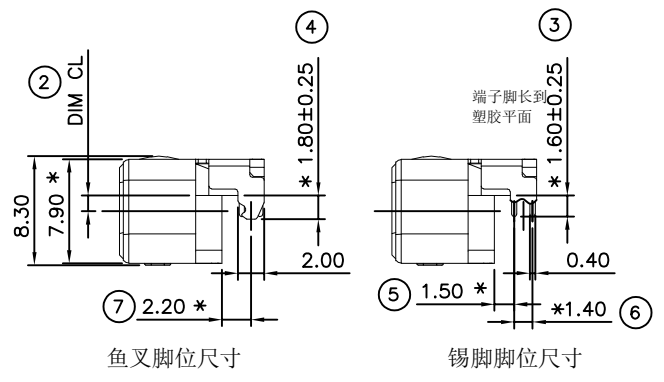
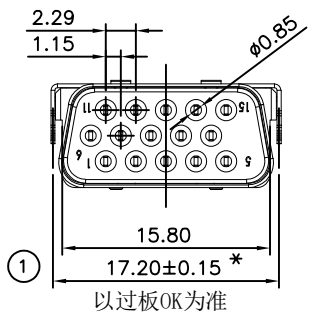
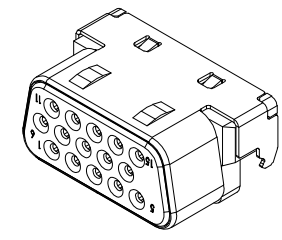


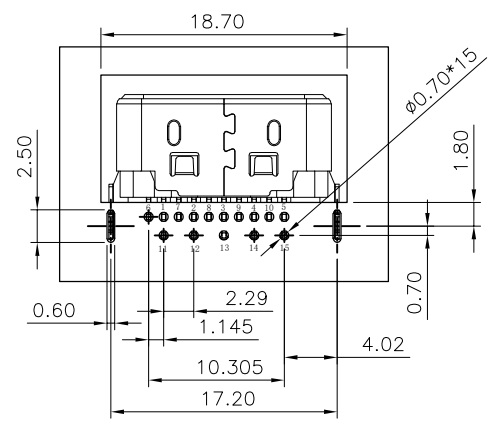
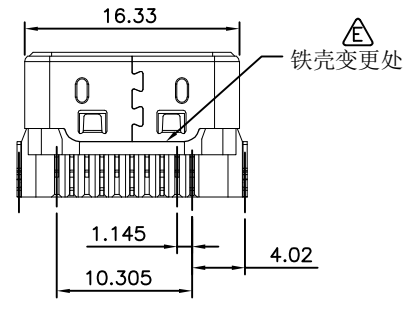
| REV. | ECN NO. | MODIFY MATTER | DATE | APPROVED |
|------|---------|-----------------------|------|----------|
| A | | RELEASE TO PRODUCTION | | |



材料:Material:
 塑胶: LCP
 端子: Contact:C2680
 Plated Gold in Mating Area;
 Tin On Solder Talls
 外壳 Shell: SPCC
 寿命测试: life test:
 1500次, 插拔速度300次/小时
 插入力MAX: 4.5Kgf Max.
 拔出力MIN: 0.45Kgf Min.
 盐雾测试: 24H

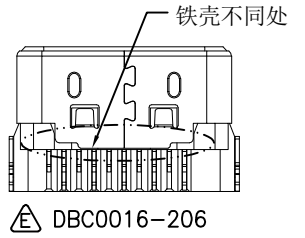


特性 Specifications:
 电器 Electrical:
 接触阻抗:Contact Resistance
 30 mΩ MAX
 耐电压 Dielectric Withstanding Voltage:
 500V AC
 绝缘阻抗:Insulation Resistance:
 1000 MΩ MIN
 Working temprayure:-30° TO +85°



| EAST NO. | DIM CL |
|-------------------------|--------|
| EAST-SLIM150090-005-101 | -1.2 |
| EAST-SLIM150090-005-102 | -1.0 |
| EAST-SLIM150090-005-103 | -0.5 |
| EAST-SLIM150090-005-104 | 0 |
| EAST-SLIM150090-005-105 | 0.5 |
| EAST-SLIM150090-005-106 | 1.0 |
| EAST-SLIM150090-005-107 | 1.2 |
| EAST-SLIM150090-005-112 | -1.0 |
| EAST-SLIM150090-005-204 | 0 |
| EAST-SLIM150090-005-206 | 1.0 |
| EAST-SLIM150090-005-207 | 1.0 |
| EAST-SLIM150090-005-208 | 1.0 |

bottom view
 RECOMMENDED P.C.B LAYOUT (COMPONENT SIDE)
 FOR P.C.B THICKNESS:1.20



| | | | |
|--|-----------------|---|--------------------------------------|
| TOLERANCES UNLESS OTHERWISE SPECIFIED: X. --- X.X ± 0.38 X.XX ± 0.25 X.XXX ± 0.20 Angle ± 3° | CUSTOMER COPY | 深圳市东方御业科技有限公司 Tel:0755-2715560 WWW.DFYCONN.COM | |
| | DRAWN: Qinx | 2017/09/10 | TITIAL: VGA超薄短体 反向CH=-1.2~1.2 (RoHS) |
| THESE DRAWING AND SPOIFICATION ARE THE PROPERTY OF Shenzhen Dongfangyuye ELECTRONIC CO., LTD. SHALL NOT BE REPRODUCED. | CHECKED: Chenl | 2017/09/10 | PART NO: EAST-SLIM150090-005-XXX |
| | APPROVED: Chenl | 2017/09/10 | UNIT: mm SCALE: N/A SHEEL: REV. |

DO NOT SCALE PRINT.

