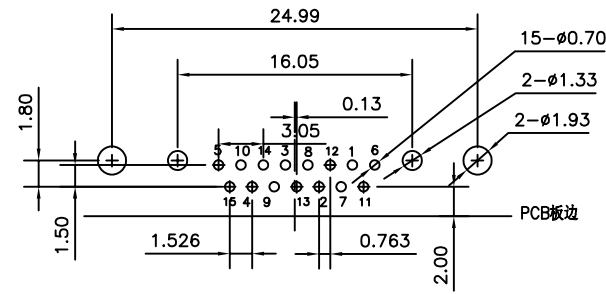
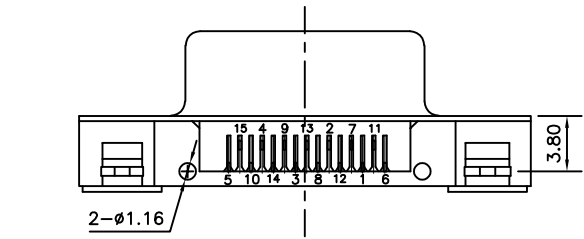
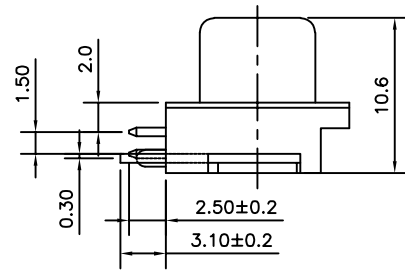
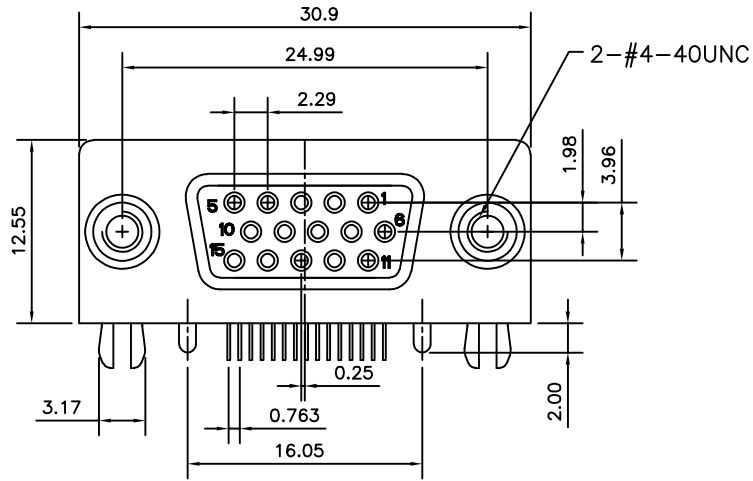
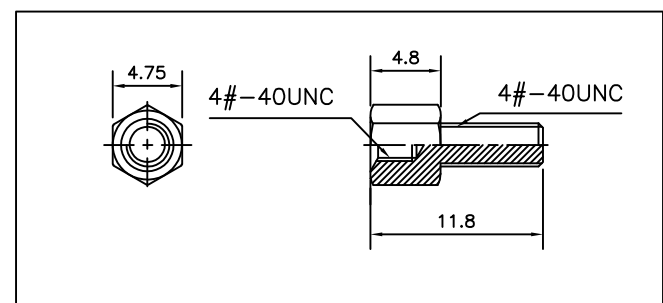


REV.	ECN NO.	MODIFY MATTER	DATE	APPROVED
A		RELEASE TO PRODUCTION		



RECOMMENDED P.C.B LAYOUT(PCB THICKNESS: 1.6mm)
COMPONENT SIDE VIEW(TOLERANCE: ±0.05)



- MATERIAL&PLATING:
 - INSULATOR: SEE ORDER INFORMATION, 30%G.F, UL94V-0
INSULATOR COLOR: SEE TABLE
 - CONTACT: BRASS, GOLD FLASH PLATED IN CONTACT AREA,
80u" MIN TIN PLATED IN SOLDER AREA,
30u" MIN. NICKEL UNDERPLATED OVERALL.
 - SHELL: SPCC, NICKEL PLATED OVERALL.
 - BOARD LOCK: SPCC, TIN PLATED.
 - RIVET: COPPER ALLOY, 30u" MIN. NICKEL UNDERPLATED OVERALL.
 - SCREWLOCK: STEEL, NICKEL PLATED OVERALL.
- SPECIFICATION:
 - CURRENT RATING: 1.0A.
 - CONTACT RESISTANCE: 30mΩ MAX.
 - INSULATION RESISTANCE: 1000MΩ Min.
 - DIELECTRIC WITHSTANDING VOLTAGE: 500V PER MINUTE.
- NOTES:
 - ALL COMPONENTS ARE RoHS COMPLIANT.
 - RESISTANCE TO SOLDERING HEAT: 265°C FOR 5 SECONDS,
AND ONLY FOR WAVE SOLDERING PROCESS.

EAST-SLIM15X070-003

螺丝: _____ 颜色: _____
0: 锁螺丝 003 蓝色
1: 无螺丝 005: 黑色
2: 附螺丝

TOLERANCES UNLESS OTHERWISE SPECIFIED: X. — X.X ± 0.38 X.XX ± 0.25 X.XXX ± 0.20 Angle ± 3°	CUSTOMER COPY	深圳市东方御业科技有限公司 Tel:0755-2715560 WWW.DFYCONN.COM		
	DRAWN: Qinkx	2017/09/10	TITIAL: Slim2.0 上7下8 直鱼叉铆合 一体式PBT浅蓝后胶芯小柱螺丝选项RoHS (RoHS)	
THESE DRAWING AND SPECIFICATION ARE THE PROPERTY OF Shenzhen Dongfangyue ELECTRONIC CO., LTD. SHALL NOT BE REPRODUCED.	CHECKED: Chenl	2017/09/10	PART NO: EAST-SLIM15X070-003	DRAWING NO:
	APPROVED: Chenl	2017/09/10	UNIT: mm	SCALE: N/A
			SHEET: 1	REV:

DO NOT SCALE PRINT.