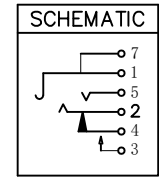
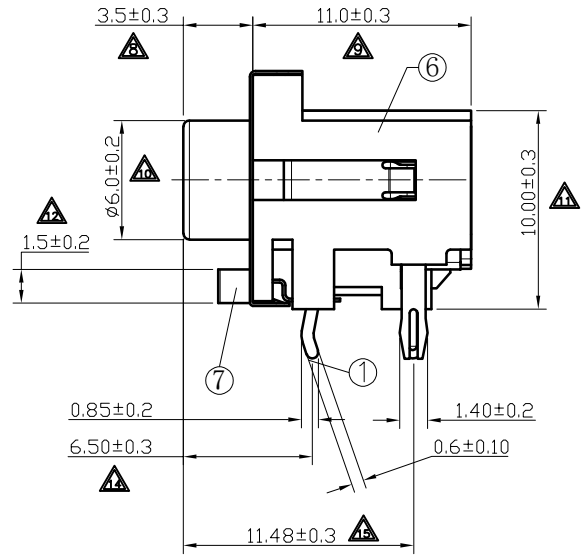
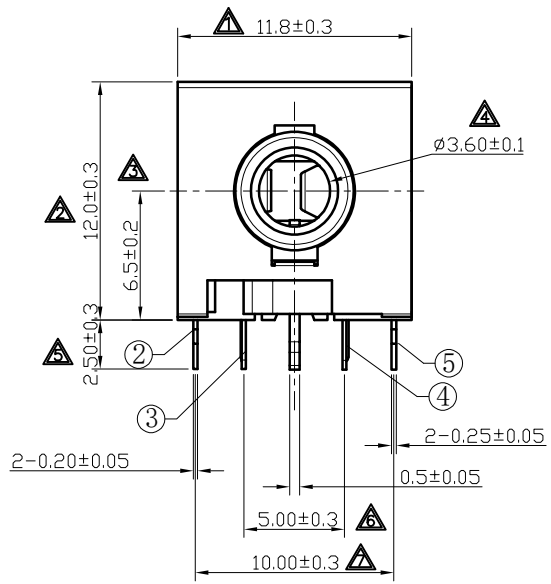
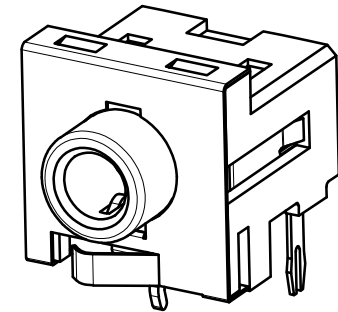


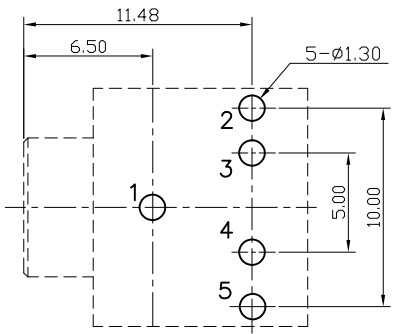
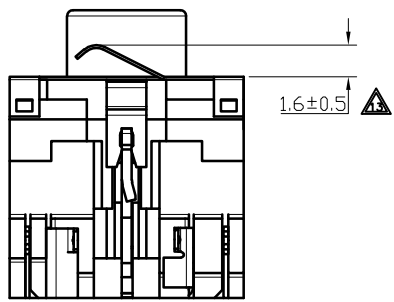
REV.	ECN NO.	MODIFY MATTER	DATE	APPROVED
A		RELEASE TO PRODUCTION		



**SPECIFICATION**  
 1. Rating : DC 30V 0.5A;  
 2. Contact resistance: 30mΩMAX;  
 3. Insulation resistance: 100MΩ Min(DC250V);  
 4. Withstand voltage: 500VAC ;  
 5. Insertion and extraction force: 3-30N;  
 6. life test: 5,000 cycles.  
 7. Marked ▲ are important dimensions.



**P.C.B LAYOUT  
TOP VIEW**



**EAST-D3088B-X**

- B:BLACK
- P:PINK
- G:GREEN

NO.	DESCRIPTION	QTY	MATERIAL	COLOR	REMARK
7	SHELL	1	SUS301	—	—
6	HOUSING	1	PBT	PINK/GREEN/BLACK	—
5	SPRING PIECE	1	SUS301	—	Ag plating
4	CONTACT FOOT	1	SUS301	—	Ag plating
3	CONTACT FOOT	1	BRONZE	—	Ag plating
2	SPRING PIECE	1	SUS301	—	Ag plating
1	CONTACT FOOT	1	BRONZE	—	Ag plating

TOLERANCES UNLESS OTHERWISE SPECIFIED: X. — X.X ± 0.38 X.XX ± 0.25 X.XXX ± 0.10 Angle ±1°		CUSTOMER COPY 深圳市东方御业科技有限公司 WWW.DFYCONN.COM TEL:0755-27155560	
DRAWN: CHENLEI CHECKED: CHENLEI APPROVED: QINKAIXING		TITIAL: 2017/09/10 PART NO: EAST-D3088B-X DRAWING NO: (RoHS)	
THESE DRAWING AND SPECIFICATION ARE THE PROPERTY OF Shenzhen Dongfangyuye ELECTRONIC CO., LTD. SHALL NOT BE REPRODUCED.		UNITS: mm SCALE: N/A SHEEL: 1:1 REV.	