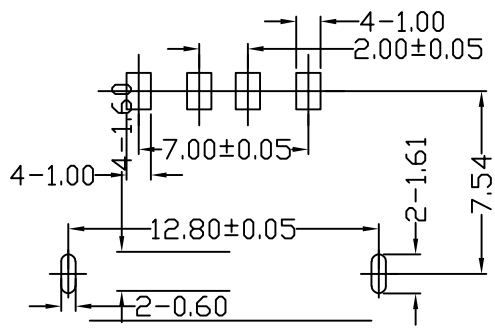
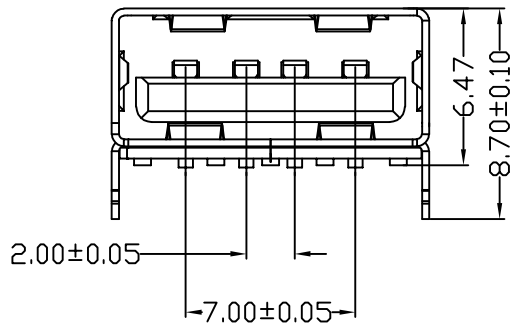
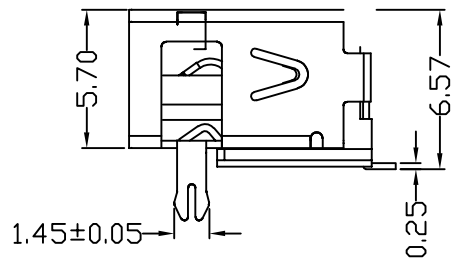
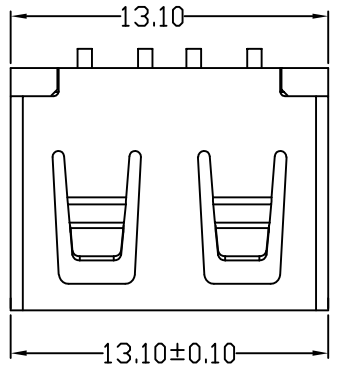


D款, 反向10.0前两脚, SMT-*6.50

MAPX	MODIFICATION	DATE

NOTES:
 1.HOUSING: SEE NOTES, UL94V-0 .
 TERMINAL: SEE NOTES.
 SHELL: SEE NOTES.

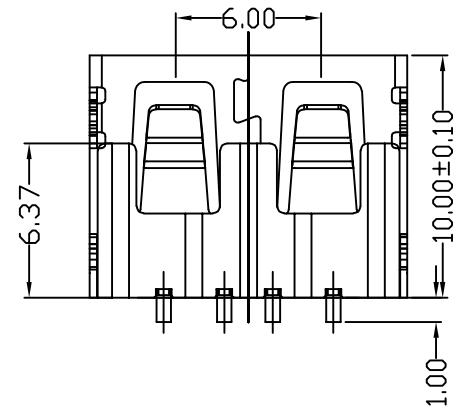
SPECIFICATION:
 1.ELECTRICAL CHARACTERISTIC:
 CONTACT RESISTANCE: 30MΩ MAX
 DIELECTRIC WITHSTANDING VOLTAGE:
 500V AC FOR 1MIN
 INSULATION RESISTANCE: 1000MΩ MIN
 2.MECHANICAL CHARACTERISTIC:
 INSERTION FORCE: 35N(3.57KGF) MAX
 EXTRACTION FORCE: 10~35N(1.02~3.57KGF)MIN
 DURABILITY: 1500 CYCLES EXTRACTION FORCE:10~35N
 5000 CYCLES MIN
 5000 CYCLES EXTRACTION



EAST-USB2101X0PX1R

- 1: 铁壳镀镍
- 5: 铜壳镀镍
- 1: 吸塑盒
- B: 黑色
- W: 白色
- P: PBT
- L: LCP

FRONT EDGE OF CONNECTOR
 PCB LAYOUT (T=1.60mm)



产品图 PRODUCT CHART DWG 公差一览表 TOLERANCE UNLESS OTHERWISE				深圳市东方御业科技有限公司 Tel:0755-27155560 WWW.DFYCONN.COM						
X.	±0.25	X.	±5.°	单位	MM	制图	Z-Y-B	制图料号	EAST-USB2101X0PX1R	
.X	±0.20	.X	±2.°	UNITS		审核		PRODUCT PART NO.		
.XX	±0.15	.XX	±1.°	SCALE	1:1	核准		产品名称	USB A/F 10.0无边前两脚鱼叉 (方弹)	
.XXX	±0.10	.XXX	±0.5°	日期	2012.09.24	APPD		角法	版本	AD
				DATE				VIEW	VER	