

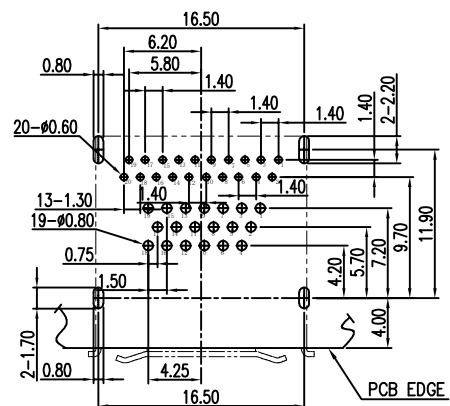
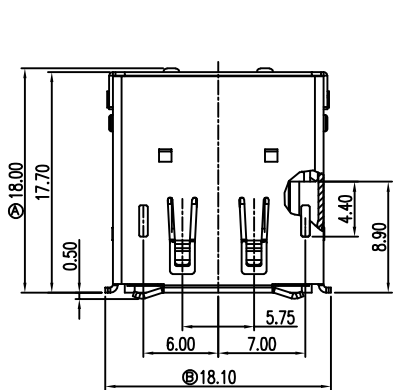
SPECIFICATIONS

1. Displayport
- 1.1 Operation Voltage: 40 VAC(RMS) Max.
- 1.2 Current Rating: 0.5 Ampere per Contact
- 1.3 Contact Resistance: 30 Milliohms Max.
- 1.4 Insulation Resistance: 100 Megohms Min.
- 1.5 Dielectric Withstanding Voltage: 500 VAC(RMS)
- 1.6 Total Mating Force: 4.5 Kgf Max.
- 1.7 Total Unmating Force: 1.0 Kgf Min.
- 1.8 Operating Temperature: -25°C to +85°C
2. HDMI
- 2.1 Operation Voltage: 40 VAC(RMS) Max.
- 2.2 Current Rating: 0.5 Ampere per Contact
- 2.3 Contact Resistance: 30 Milliohms Max.
- 2.4 Insulation Resistance: 100 Megohms Min.
- 2.5 Dielectric Withstanding Voltage: 500 VAC(RMS)
- 2.6 Total Mating Force: 4.5 Kgf Max.
- 2.7 Total Unmating Force: 1.0 Kgf Min.
- 2.8 Operating Temperature: -25°C to +85°C

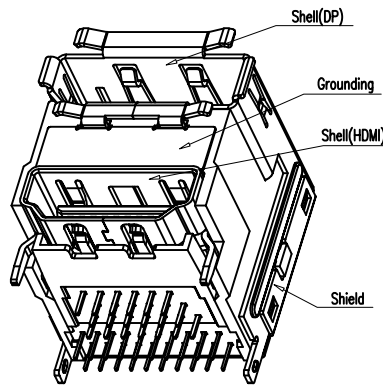
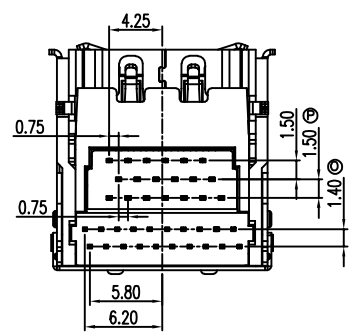
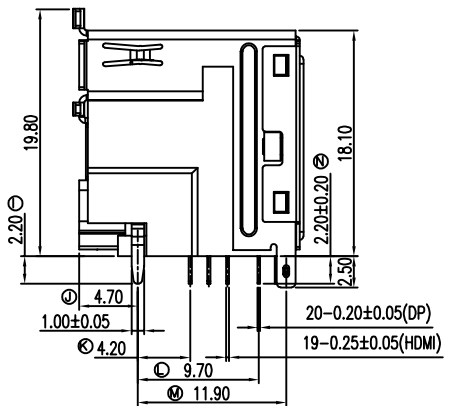
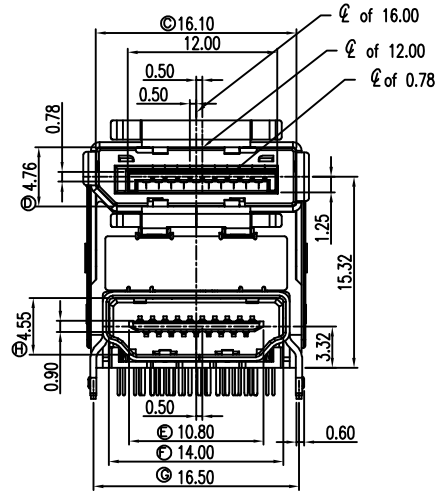
REV.	ECN NO.	MODIFY MATTER	DATE	APPROVED
A		RELEASE TO PRODUCTION		

NOTES

1. MATERIAL:
 - Housing(DP):PBT, UL 94V-0, Color:Black.
 - Housing(HDMI):LCP, UL 94V-0, Color:Black.
 - Terminal:Copper Alloy.
 - Shell(DP):Copper Alloy.
 - Shell(HDMI):Copper Alloy.
 - Shield:SPCC.
 - Grounding:Stainless Steel.
2. FINISH:
 - Terminal:Gold Plated over Nickel at Contact Area.
 - Matte Tin Plated over Nickel at Solder Area.
 - Shell:Nickel Plated.
3. This Product is LEAD-FREE & RoHS Compliance Product.



RECOMMENDED P.C.B. LAYOUT
THICKNESS=1.6±0.10mm



EAST-DPHDB3A11AH

TOP CONNECTOR TYPE
DP: DISPLAYPORT 20-POS. FEMALE

BOTTOM CONNECTOR TYPE
HD: HDMI 19-POS. FEMALE

H: IT'S COMPLIANT WITH RoHS

INSULATOR MATERIALS
A: UPPER-PBT, LOWER-LCP

COLOR STYLE
1: ALL BLACK

TOLERANCES UNLESS OTHERWISE SPECIFIED: X. --- X.X ± 0.38 X.XX ± 0.25 X.XXX ± 0.10 Angle ± 1°	CUSTOMER COPY	深圳市东方御业科技有限公司 WWW.DFYCONN.COM TEL:0755-27155560	
	DRAWN: CHENLEI	2017/09/10	TITLE: DISPLAYPORT AND HDMI COMBO RECEPTACLE DIP MOLDING TYPE CONNECTOR
THESE DRAWING AND SPECIFICATION ARE THE PROPERTY OF Shenzhen Dongfangyue ELECTRONIC CO., LTD., SHALL NOT BE REPRODUCED.	CHECKED: CHENLEI	2017/09/10	PART NO: EAST-DPHDB3A11AH
	APPROVED: QINKAIXING	2017/09/10	UNIT: mm
		SCALE: N/A	SHEET: 1:1
			REV.