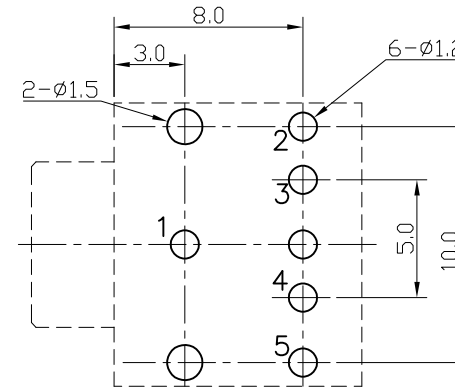
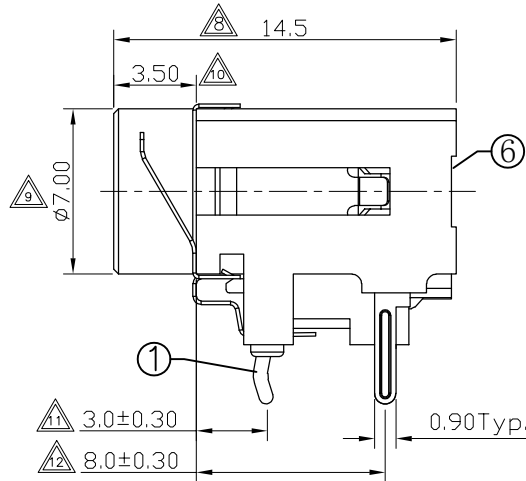
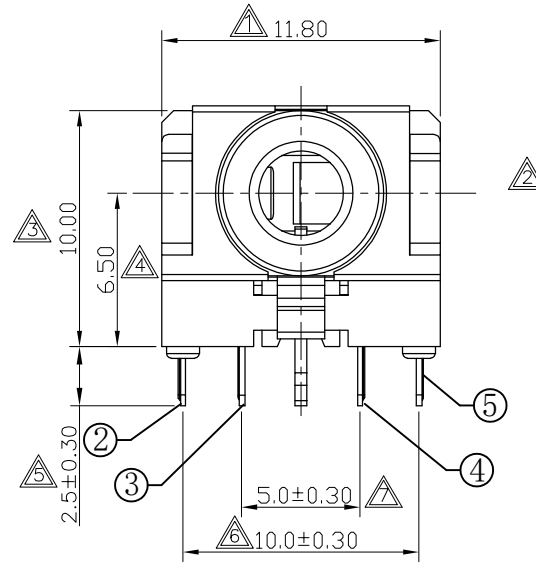
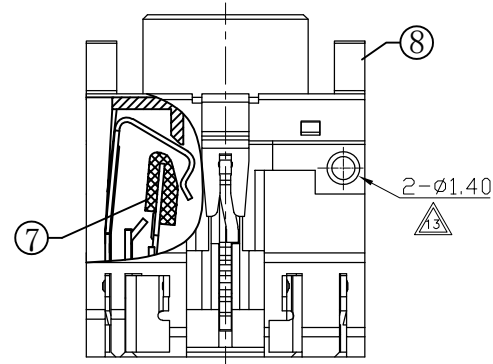


REV.	ECN NO.	MODIFY MATTER	DATE	APPROVED
A		RELEASE TO PRODUCTION		

### SPECIFICATION

1. Rating : DC 30V 0.5A;
2. Contact resistance:  $\leq 0.03\Omega$ ;
3. Insulation resistance:  $\geq 100M\Omega$  (DC250V);
4. Withstand voltage: 500VAC ;
5. Insertion and extraction force: 3-30N;
6. life test: 5,000 cycles.
7. Marked  $\triangle$  are important dimensions.

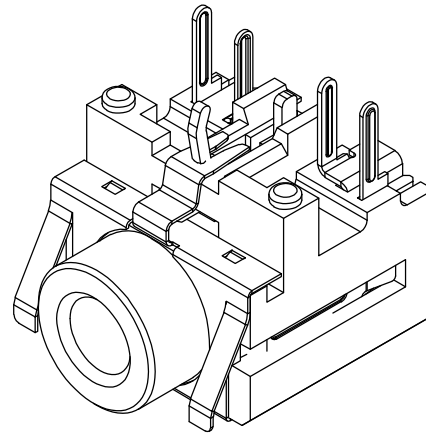
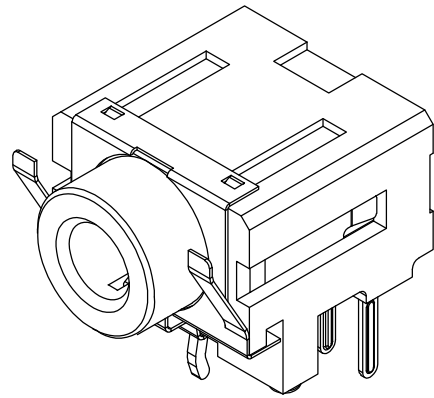
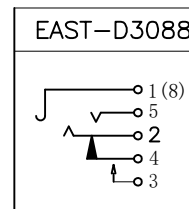


P.C.B LAYOUT  
TOP VIEW

EAST-D3088-X

- B:BLACK
- P:PINK
- G:GREEN

### SCHEMATIC



NO.	DESCRIPTION	QTY	MATERIAL	COLOR	REMARK
8	SPRING PIECE	1	SUS301	---	---
7	SKID	1	PBT	---	---
6	HOUSING	1	PBT	---	---
5	SPRING PIECE	1	SUS301	---	Ag-Plating
4	CONTACT FOOT	1	SUS301	---	Ag-Plating
3	CONTACT FOOT	1	BRONZE	---	Ag-Plating
2	SPRING PIECE	1	SUS301	---	Ag-Plating
1	CONTACT FOOT	1	BRONZE	---	Ag-Plating

TOLERANCES UNLESS OTHERWISE SPECIFIED:  
 X. ---  
 X. X ± 0.38  
 X. XX ± 0.25  
 X. XXX ± 0.10  
 Angle ± 1°

CUSTOMER COPY

深圳市东方御业科技有限公司  
 WWW.DFYCCNN.COM TEL:0755-27155560

DRAWN: CHENLEI

2017/09/10

TITIAL: PHONE JACK 双前弹片

CHECKED: CHENLEI

2017/09/10

PART NO: EAST-D3088-X (RoHS)

APPROVED: QINKAIXING

2017/09/10

UNIT: mm SCALE: N/A SHEEL: 1:1 REV.

THESE DRAWING AND SPECIFICATION ARE THE PROPERTY OF Shenzhen Dongfangyue ELECTRONIC CO., LTD.. SHALL NOT BE REPRODUCED.