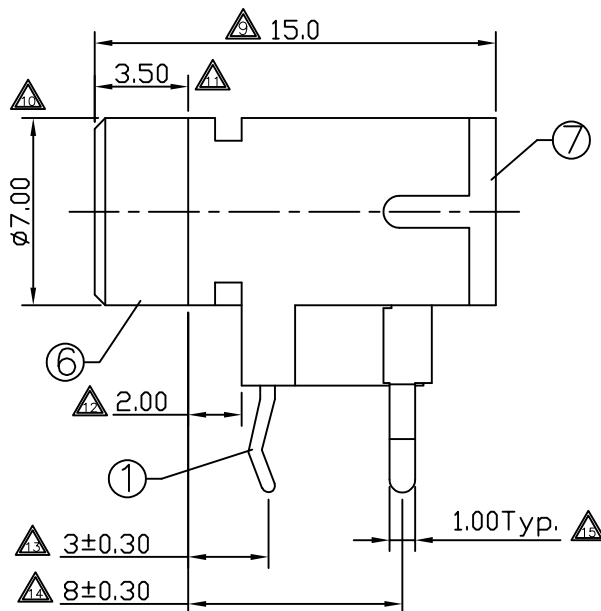
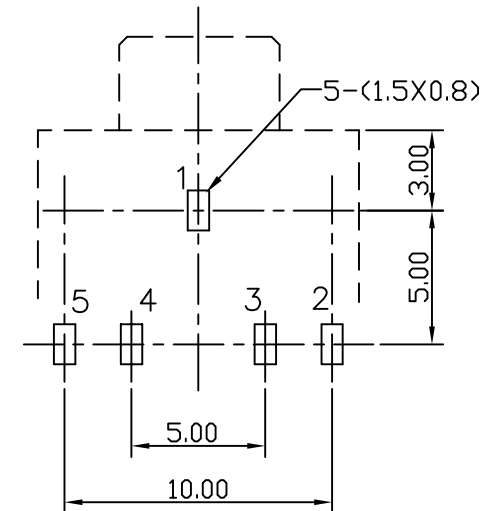


按点示意图
SCHEMATIC



REV.	ECN NO.	MODIFY	MATTER	DATE	APPROVED
A		RELEASE TO PRODUCTION			



P.C.B LAYOUT

技术要求

1. 额定电负 荷: DC 30V 0.5A;
2. 接 触 电 阻: $\leq 0.03 \Omega$;
3. 绝 缘 电 阻: $\geq 100M \Omega$ (DC250V);
4. 耐 压: 500VAC;
5. 插 拔 力: 3-30N;
6. 寿 命: 5,000次。

Marked \triangle are important dimensions.

EAST-D3017-D	EAST-D3017-1	EAST-D3017-2	EAST-D3017-3	EAST-D3017-4

EAST-D3017-D-X

B:BLACK
P:PINK
G:GREEN

7	盖子	1	PBT	——	——
6	底座	1	PBT	——	——
5	5#脚 (弹片)	1	BRONZE	——	Sn-Plating
4	4#脚 (平片)	1	BRASS	——	Sn-Plating
3	3#脚 (平片)	1	BRASS	——	Sn-Plating
2	2#脚 (弹片)	1	BRONZE	——	Sn-Plating
1	1#脚 (接触脚)	1	BRASS	——	Sn-Plating
NO.	DESCRIPTION	QTY	MATERIAL	COLOR	REMARK
TOLERANCES UNLESS OTHERWISE SPECIFIED: X. --- X.X ± 0.38 X.XX ± 0.25 X.XXX ± 0.20 Angle ± 3'		COSTOMER COPY		深圳市东方御业科技有限公司 WWW.DFYCONN.COM TEL:0755-27155560	
DRAWN: Qinx		2017/09/10		TITL: PHONE JACK	
CHECKED: Chenl		2017/09/10		PART NO: EAST-D3017-D-X	
APPROVED: Chenl		2017/09/10		DRAWING NO: (RoHS)	
THESE DRAWING AND SPECIFICATION ARE THE PROPERTY OF ShenzhenDongfangyuye ELECTRONIC CO., LTD.. SHALL NOT BE REPRODUCED.		UNIT: mm		SCALE: N/A	

DO NOT SCALE PRINT