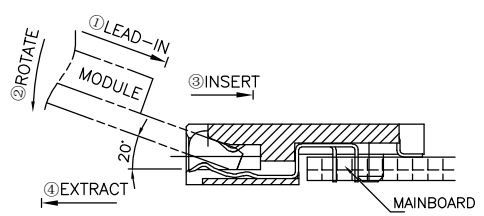
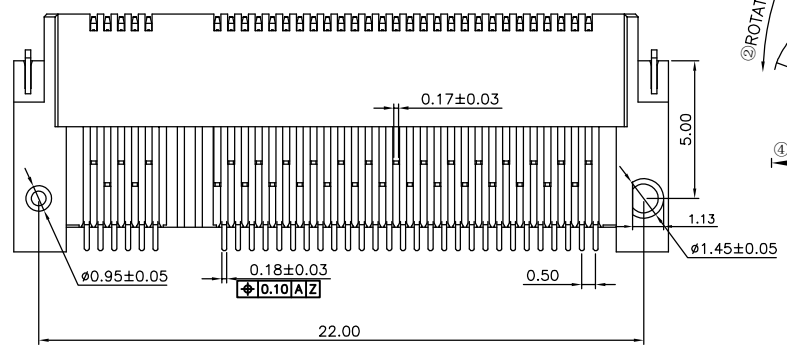
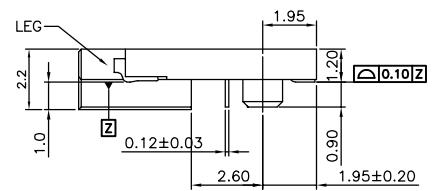
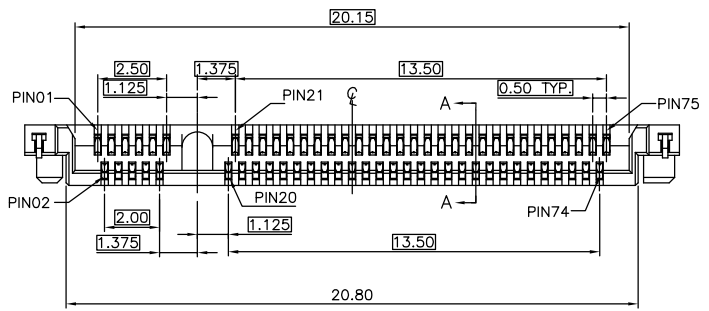
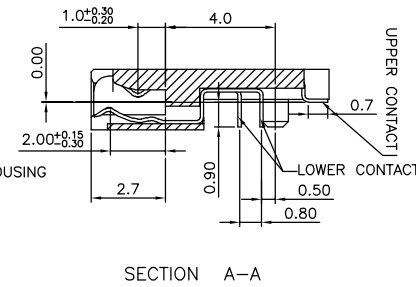
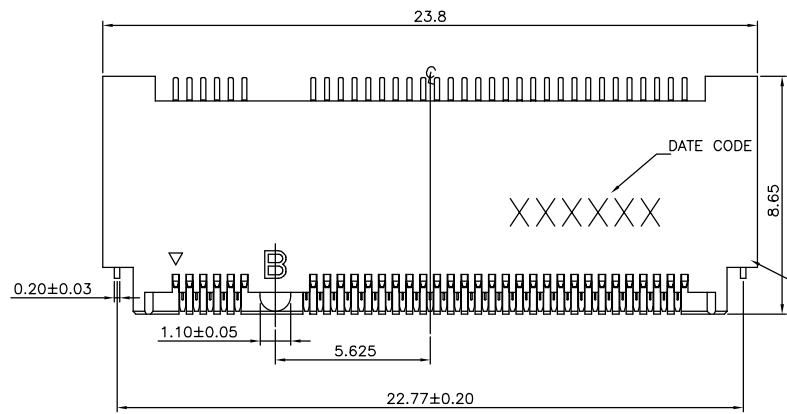


REV	LTR	DESCRIPTION	DATE	DWN
-----	-----	-------------	------	-----

- NOTES:
- MATERIAL SPECIFICATION
    - HOUSING: LCP+30% G.F UL94 V-0.
    - CONTACT: C5210-SH T=0.12mm.
    - LEG: C2680-EH T=0.20mm.
  - PLATING SPECIFICATION
    - CONTACT: NI50μ" UNDER PLATED, GOLD FLASH PLATED ON THE FUNCTIONAL AREA OF CONTACT, GOLD PLATING OR TIN ON SOLDER AREA.
    - LEG: MATTE TIN 50μ" MIN. OVER ALL, NICKEL 50μ" MIN. UNDERPLATED.
  - MECHANICAL PERFORMANCE
    - INSERTION FORCE: 20N MAX.
    - WITHDRAWAL FORCE: 20N MAX.
    - DURABILITY: 60 CYCLES.
    - VIBRATION:
      - NO ELECTRICAL DISCONTINUITY GREATER THAN 1u SEC. SHALL OCCUR;
    - MECHANICAL SHOCK: 285G HALF SINE/6 AXIS. NO ELECTRICAL DISCONTINUITY GREATER THAN 1u SEC. SHALL OCCUR;
  - ELECTRICAL PERFORMANCE
    - CURRENT RATING: 0.5A (PER PIN).
    - CURRENT RATING: 50V AC (PER PIN).
    - LLCR: CONTACT: 55mΩ MAX(INITIAL), 20mΩ MAX. CHANGE ALLOWED(FINAL).
    - INSULATION RESISTANCE: 5000MΩ MIN. AT 500V DC.
    - DIELECTRIC WITHSTAND VOLTAGE: 300V AC/60S.
  - IR REFLOW:
 

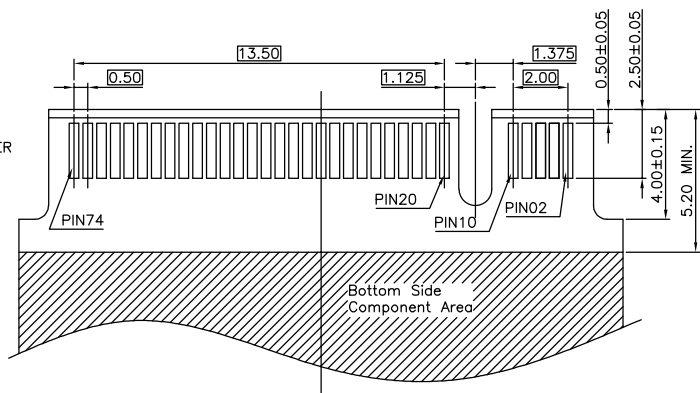
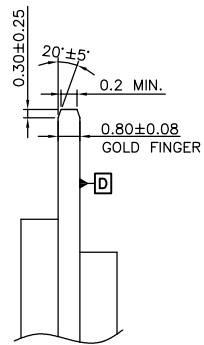
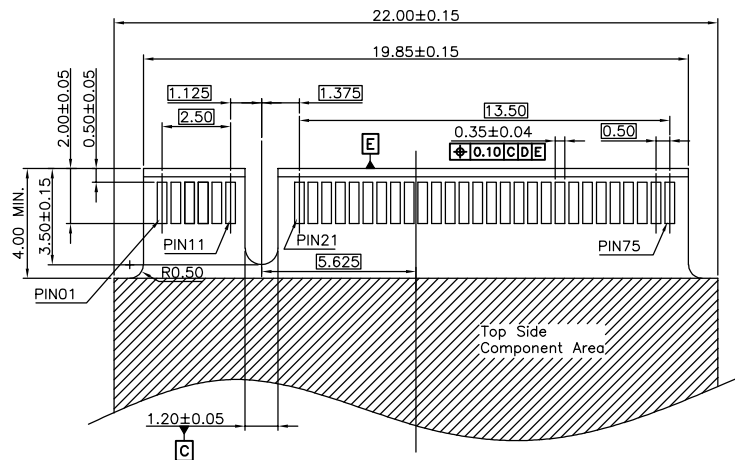
THE PEAK TEMPERATURE ON BOARD SHALL BE MAINTAINED FOR 10 SECONDS AT 260±5°C.
  - OPERATING TEMPERATURE RANGE: -40°C~85°C(WITHOUT LOSS FUNCTION).
  - RoHS COMPLIANT OR HALOGEN FREE COMPLIANT.



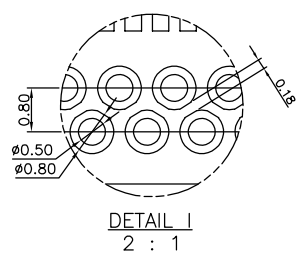
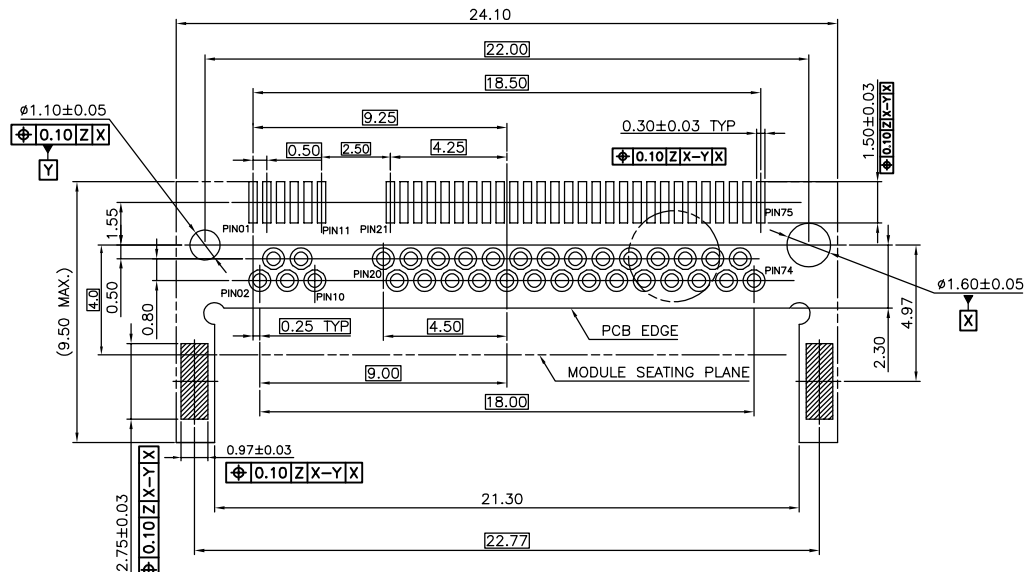
HOW TO MATE AND UNMATE  
 MATE: ①-②-③  
 UNMATE: ④

TOLERANCE		深圳市东方御业科技有限公司 WWW.DFYCONN.COM TEL:0755-27155560	TITLE: NGFF SOCKET (M.2 CONNECTOR) 0.50mm PITCH, MID-MOUNT 1.2H, STD. B-KEY. HYBRID TYPE PACKING			
LINEAR	ANGLES		PART NO. : _____			
X. ± 0.50	X° . ± 2.0°		DWG NO. : EAST-HN12103B10X			
.X ± 0.38	.X° ± 1.0°		APPD: _____	DRWN: Rocky	UNITS: MM	SCALE: 1:1
.XX ± 0.25	.XX° ±		CHKD: _____	DATE: 2014-04-29	SHEET: 1 OF 3	REV: A/0

REV	LTR	DESCRIPTION	DATE	DWN
-----	-----	-------------	------	-----

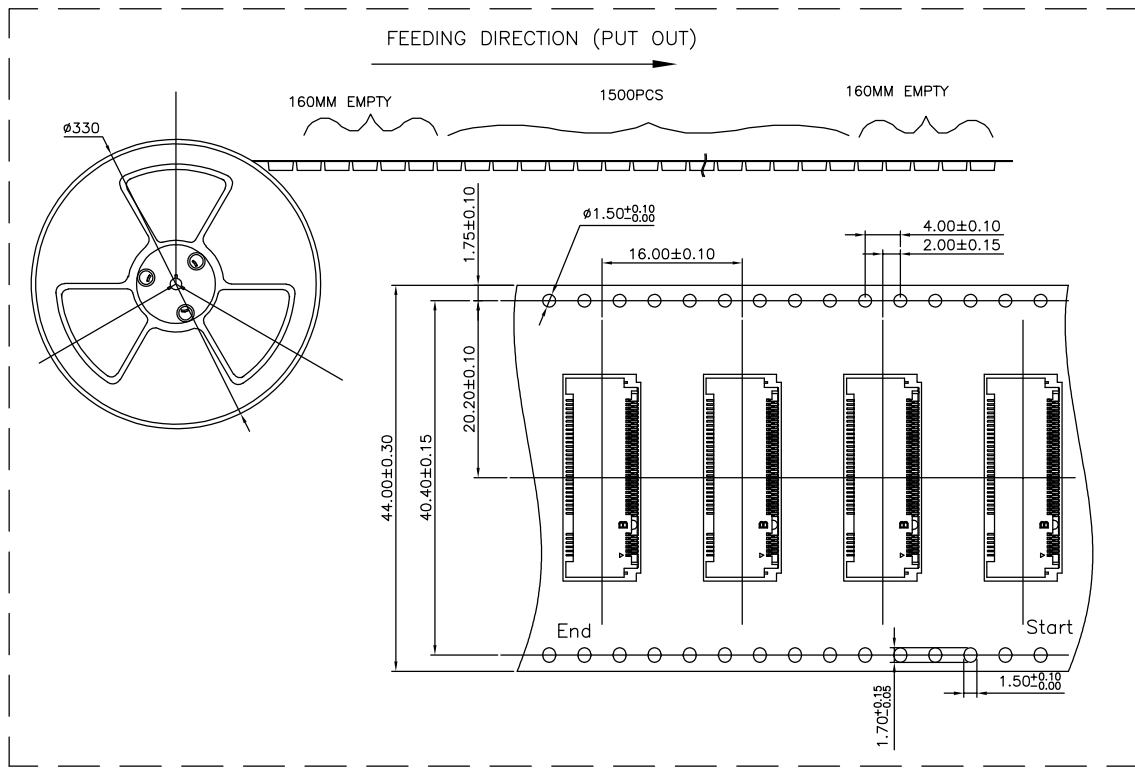
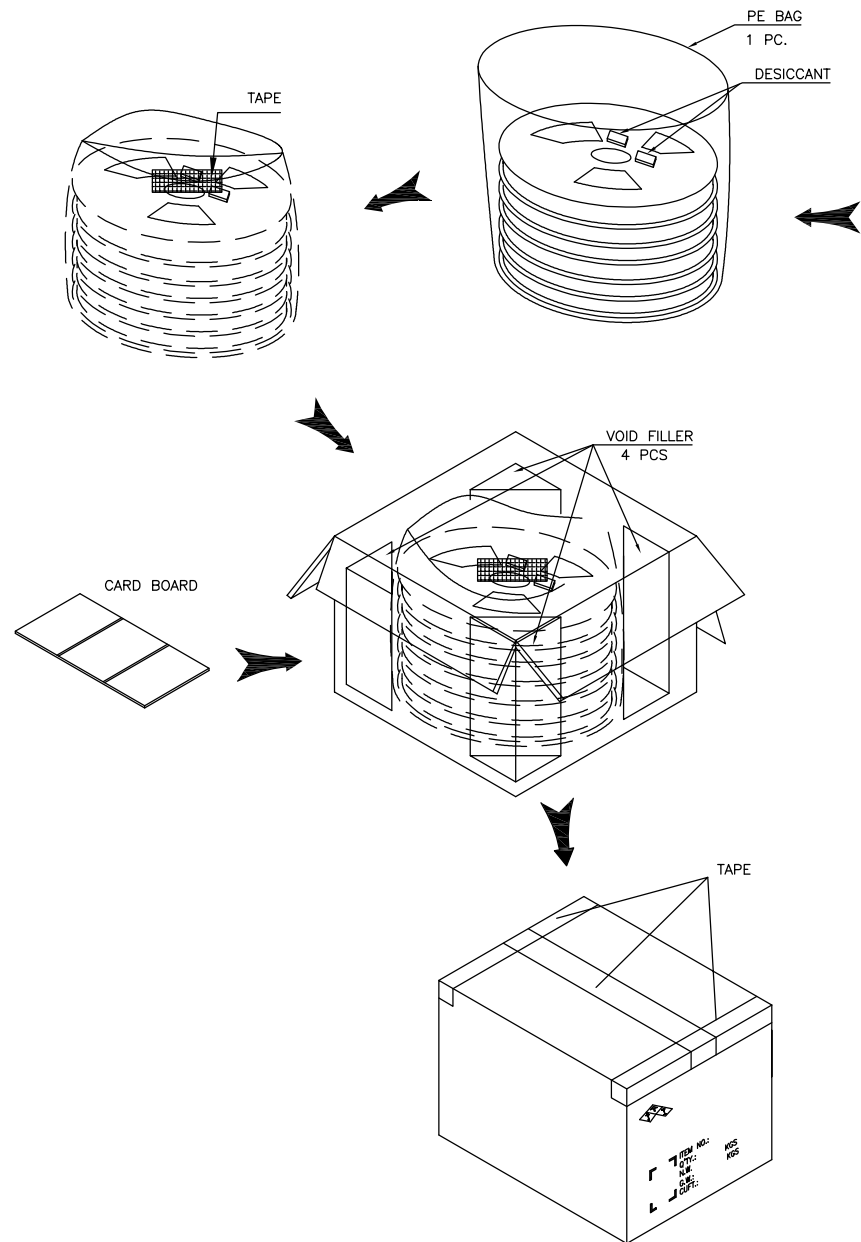


RECOMMENDED MOULD FINGER LAYOUT



TOLERANCE		深圳市东方御业科技有限公司 WWW.DFYCONN.COM TEL:0755-27155560	TITLE: NGFF SOCKET (M.2 CONNECTOR) 0.50mm PITCH, MID-MOUNT 1.2H, STD. B-KEY. HYBRID TYPE PACKING			
LINEAR	ANGLES		PART NO. : _____			
X ± 0.50	X° ± 2.0°		DWG NO. : EAST-HN12103B10X			
.X ± 0.38	.X° ± 1.0°		UNITS	SCALE	SHEET	REV
.XX ± 0.25	.XX° ±	MM	1:1	1 OF 3	A/0	
.XXX ± 0.15	.XXX° ±	APPD:	DRWN: Rocky	DATE: 2014-04-29		
		CHKD:				

REV	LTR	DESCRIPTION	DATE	DWN
-----	-----	-------------	------	-----



- NOTES:
1. PEEL OFF FORCE OF TOP TAPE: 0.1~1.3N;
  2. 1500 PCS/REEL, 10500 PCS/CARTON;
  3. CARTON SIZE: 350\*350\*380MM, K=K.

TOLERANCE		深圳市东方御业科技有限公司 WWW.DFYCONN.COM TEL:0755-27155560		TITLE: NGFF SOCKET (M.2 CONNECTOR) 0.50mm PITCH, MID-MOUNT 1.2H, STD. B-KEY. HYBRID TYPE PACKING			
LINEAR	ANGLES			PART NO.:		DWG NO.:	
X ± 0.50	X° ± 2.0°			EAST-HN12103B10X			
.X ± 0.38	.X° ± 1.0°			UNITS	SCALE	SHEET	REV
.XX ± 0.25	.XX° ±	APPD:	DRWN: Rocky	MM	1:1	1 OF 3	A/0
.XXX ± 0.15	.XXX° ±	CHKD:	DATE: 2014-04-29				