

NOTES:

- MATERIAL:
 - HOUSING:LCP,UL94V-0,COLOR:BLACK.
 - CONTACT:PHOSPHOR BRONZE.
 - LATCH:STAINLESS STEEL.
- FINISH:
 - CONTACT:50u" MIN NICKEL UNDERPLATED ALL OVER. GOLD FALSH PLATING ON SOLDER TAIL. GOLD PLATING (THICKNESS SEE P/N) ON CONTACT AREA.
 - SOLDER PEG: 50u" MIN NICKEL UNDERPLATED ALL OVER. 100u" MIN MATTE TIN PLATING ENTIRE OVER.
- DATE CODE : YYWDLX
 - YY: YEAR (09: 2009)
 - WW: WEEK (25: THE 25TH WEEK)
 - D: DAY (1~7: SUNDAY~SATURDAY)
 - L: LINE NUMBER OF ASSEMBLY (A: LINE A)
 - X: MANUFACTURE CODE

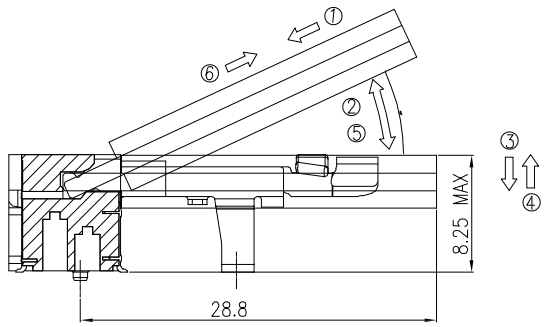
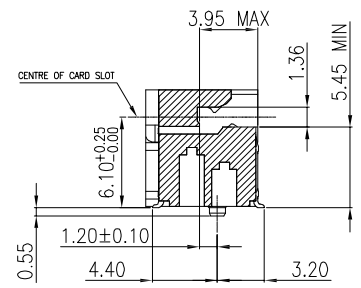
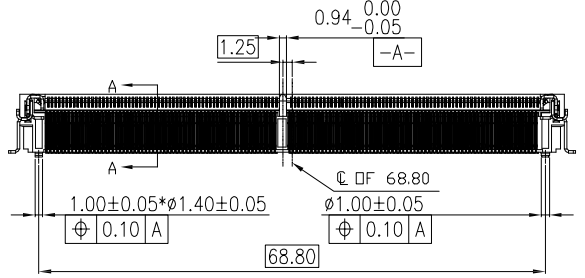
CHNEAST P/N:
EAST-262 02 X 80 K1 X X

No. of Pins: []
 Plating: []
 Environment Protection: []
 Packing: []
 Color: []

R for RoHS
 G for GP
 H for Halogen-free

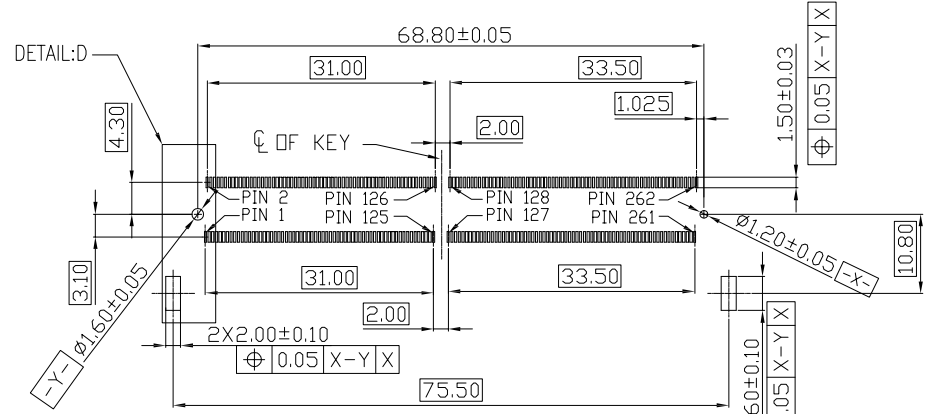
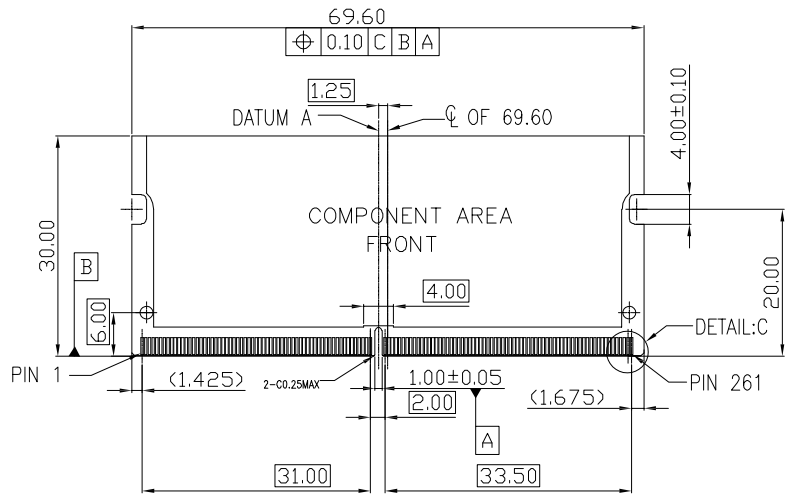
A-Tube, B-Reel, C-Tray

Kx:Black, Lx:White

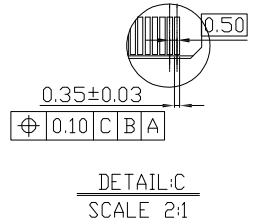
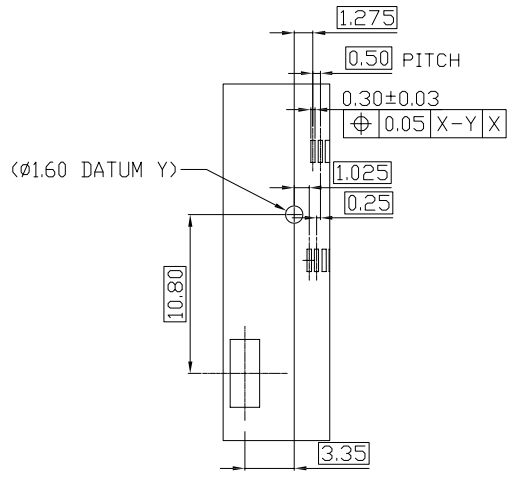
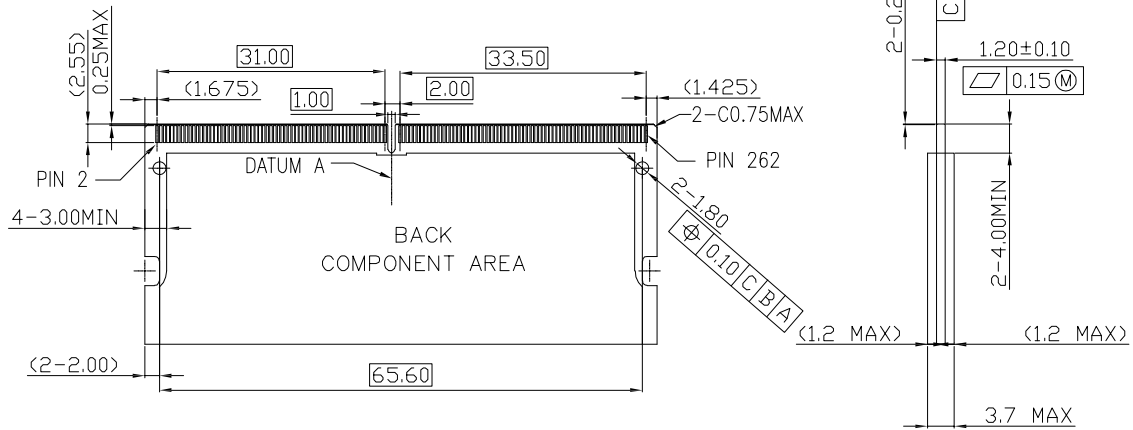


MATING/UNMATING VIEW
 MATING: ①INSERTING(25°) — ②ROTATING — ③FIXED
 UNMATING: ④UNFIXED — ⑤ROTATING — ⑥WITHDRAWING

TOLERANCE		深圳市东方御业科技有限公司 WWW.DFYCONN.COM Tel:0755-27155560	TITLE: DDR5 So Dimm 262P 8.2H RVS				
LINEAR	ANGLES		PART NO.: SEE TABLE				
X.±0.30	X°.±2.0°		DWG NO.: EAST-26202-80				
.X±0.25	.X°±1.0°		APPD:	DRWN: Rocky	UNITS	SCALE	SHEET
.XX±0.20		CHKD:	DATE: 2014-3-28	MM	1:1	1 OF 3	A/0

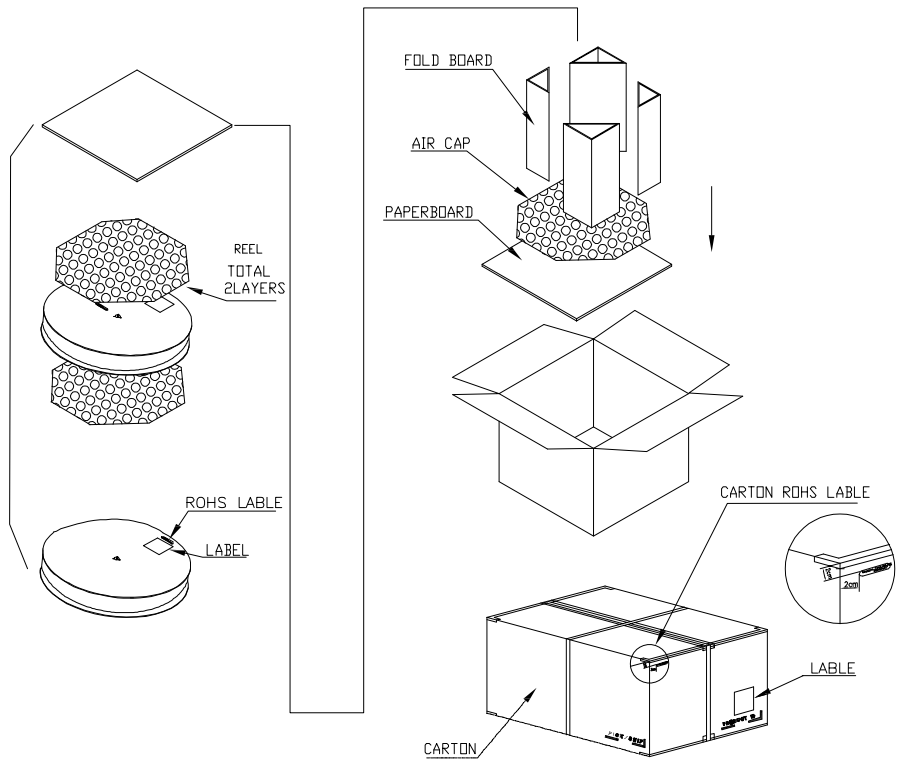
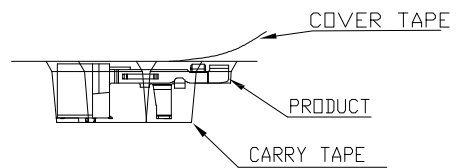
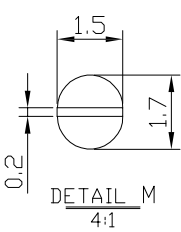
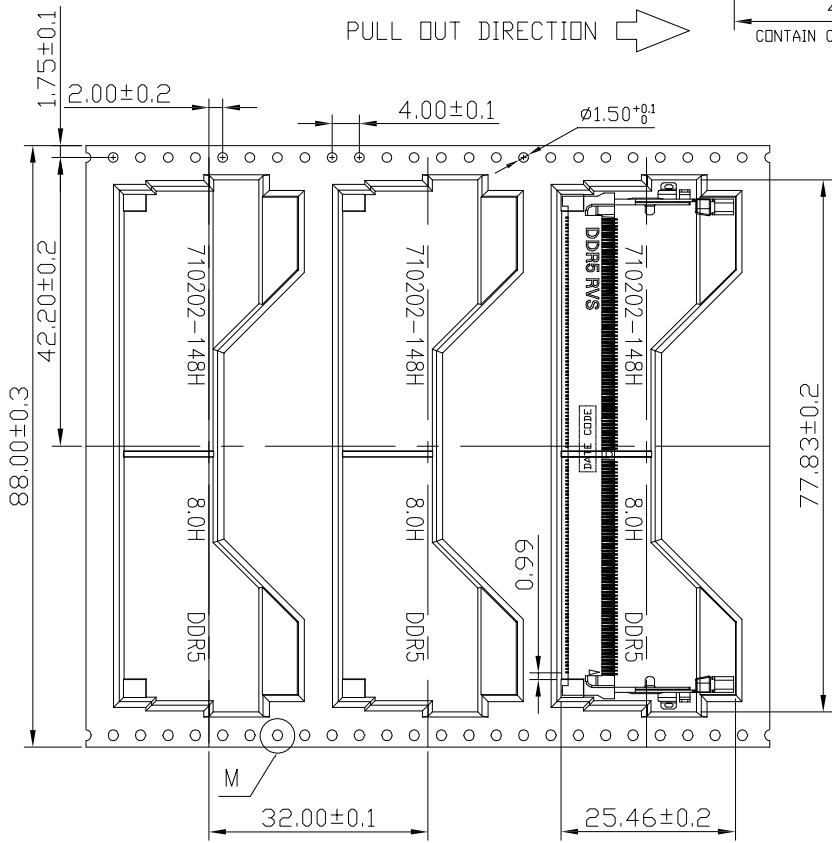
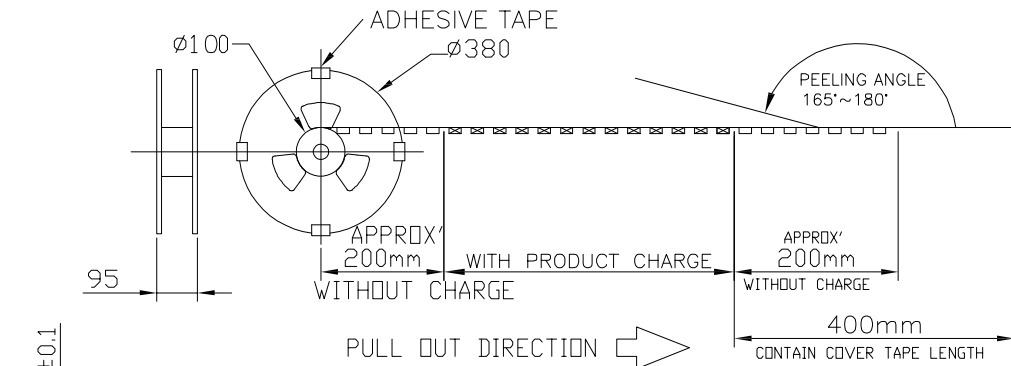


RECOMMEND PCB LAYOUT(TOP VIEW)
 THE TOLERANCE UNLESS SPECIFIED IS ± 0.05 MM



TOLERANCE		TITLE:	
LINEAR	ANGLES	DDR5 So Dimm 262P	
X.±0.30	X°.±2.0°	8.2H RVS	
.X±0.25	.X°.±1.0°	PART NO.: SEE TABLE	
.XX±0.20		DWG NO.: EAST-20202-80	
	APPD:	DRWN: Rocky	UNITS SCALE SHEET REV
	CHKD:	DATE: 2014-3-28	
			MM 1:1 1 OF 3 A/0

深圳市东方御业科技有限公司
 WWW.DFYCONN.COM Tel:0755-27155560



TOLERANCE	
LINEAR	ANGLES
X.±0.30	X°.±2.0°
.X ±0.25	.X°±1.0°
.XX ±0.20	

深圳市东方御业科技有限公司
 WWW.DFYCONN.COM Tel:0755-27155560
 APPD: DRWN: Rocky
 CHKD: DATE: 2014-3-28

250	2	500	SEE P/N
PCS/ REEL	REEL/ CARTON	PCS/ CARTON	PART NUMBER
TITLE: DDR5 So Dimm 262P 8.2H RVS			
PART NO.: SEE TABLE			
DWG NO.: EAST-20202-80			
UNITS	SCALE	SHEET	REV
MM	1:1	1 OF 3	A/0