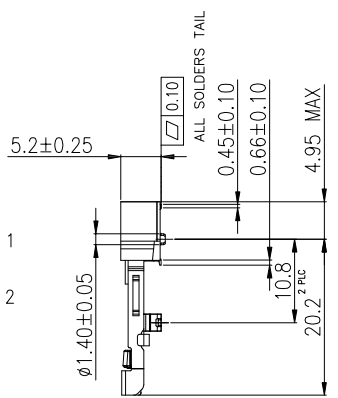
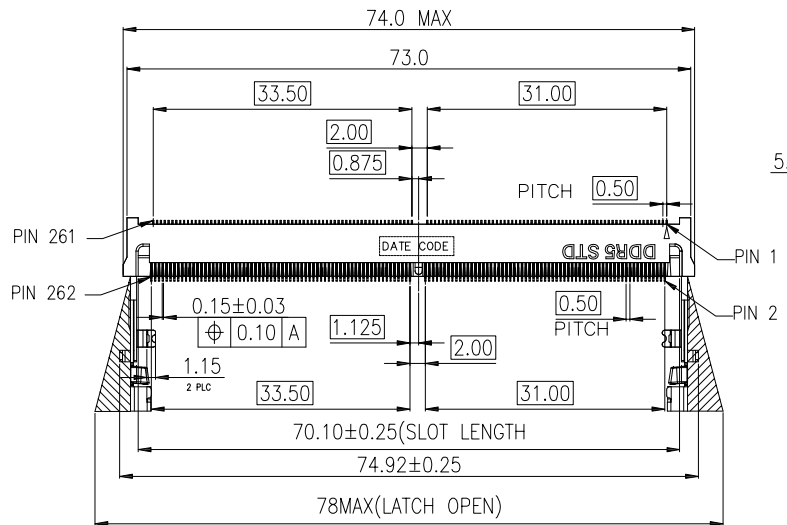
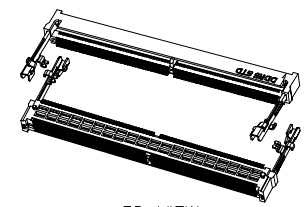
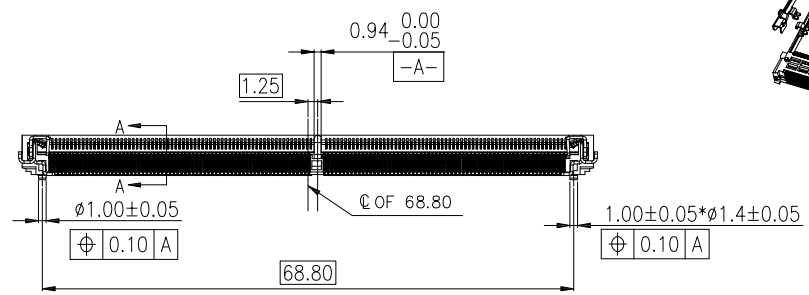


REV.	ECN NO.	MODIFY MATTER	DATE	APPROVED
A		RELEASE TO PRODUCTION		



NOTES:
 1. MATERIAL:
 1.1 HOUSING: LCP, UL94V-0, COLOR: BLACK.
 1.2 CONTACT: PHOSPHOR BRONZE.
 1.3 LATCH: STAINLESS STEEL.
 2. FINISH:
 2.1 CONTACT: 50u" MIN NICKEL UNDERPLATED ALL OVER.
 GOLD FLASH PLATING ON SOLDER TAIL.
 GOLD PLATING (THICKNESS SEE TABLE 1) ON CONTACT AREA.
 2.2 SOLDER PEG:
 50u" MIN NICKEL UNDERPLATED ALL OVER.
 100u" MIN MATTE TIN PLATED ALL OVER.

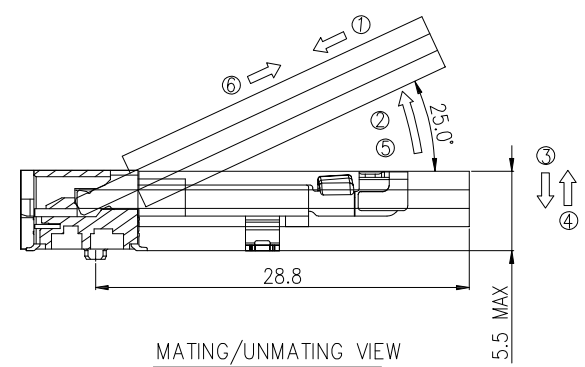


3D VIEW
SCALE 1:2

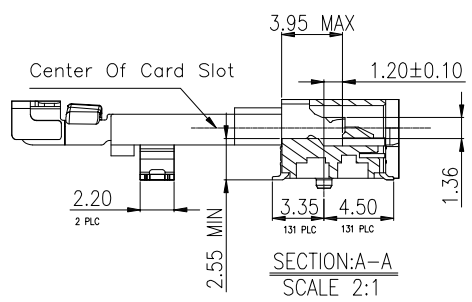
CHNEAST P/N:
EAST-262 01 X 52 K1 X X

No. of Pins: **52**
 Plating:
 A- Pin Flash Gold
 B- Pin Gold 3u"
 C- Pin Gold 5u"
 D- Pin Gold 10u"
 E- Pin Gold 15u"
 G- Pin Gold 30u"

Environment Protection:
 R for RoHS
 G for GP
 H for Halogen-free
Packing:
 A-Tube, B-Reel, C-Tray
Color:
 Kx:Black, Lx:White



MATING: ①INSERTING(25°) → ②ROTATING → ③FIXED
 UNMATING: ④UNFIXED → ⑤ROTATING → ⑥WITHDRAWING

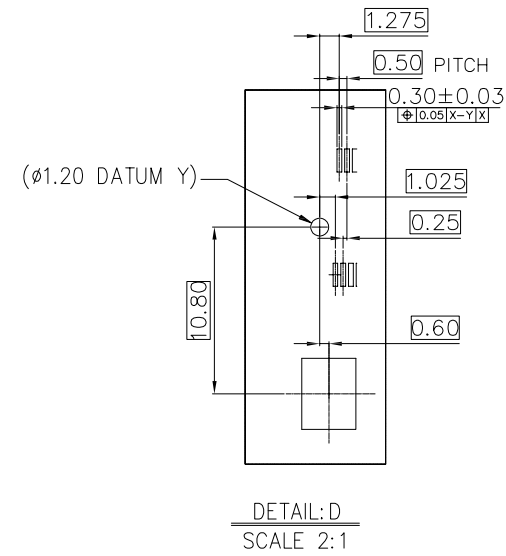
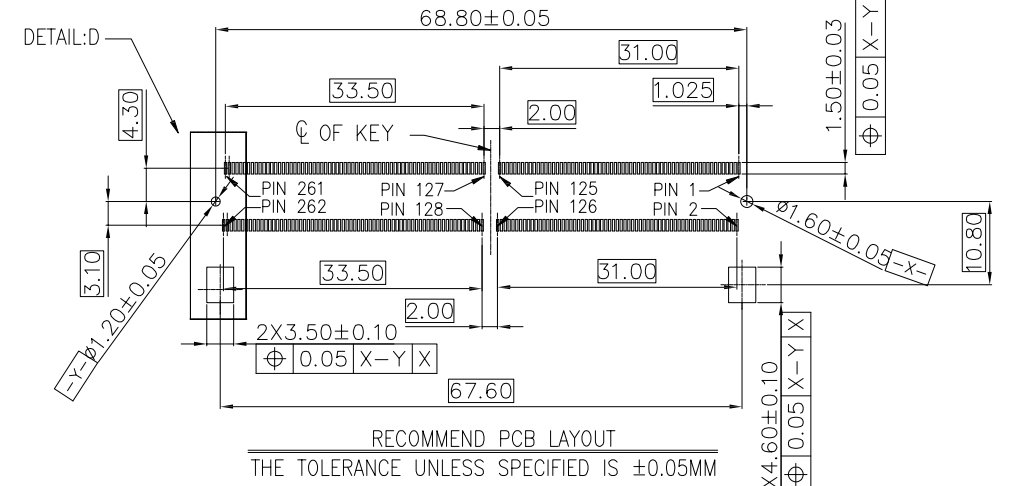
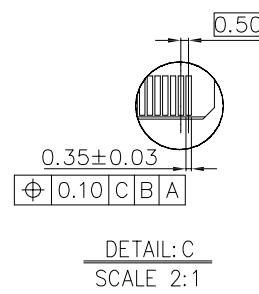
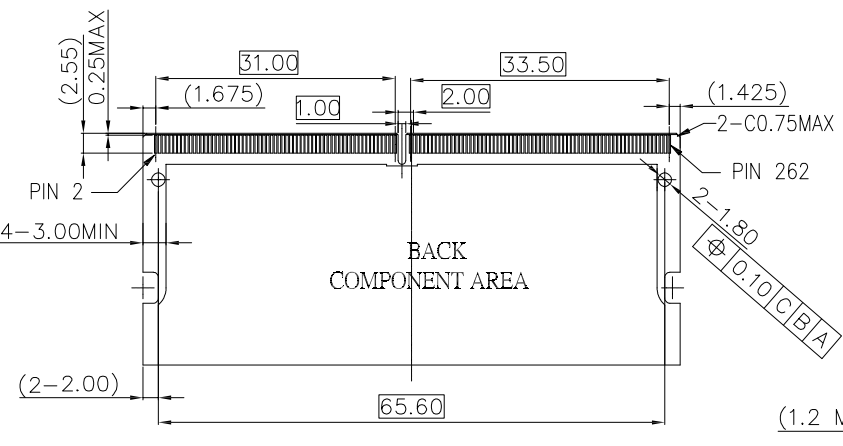
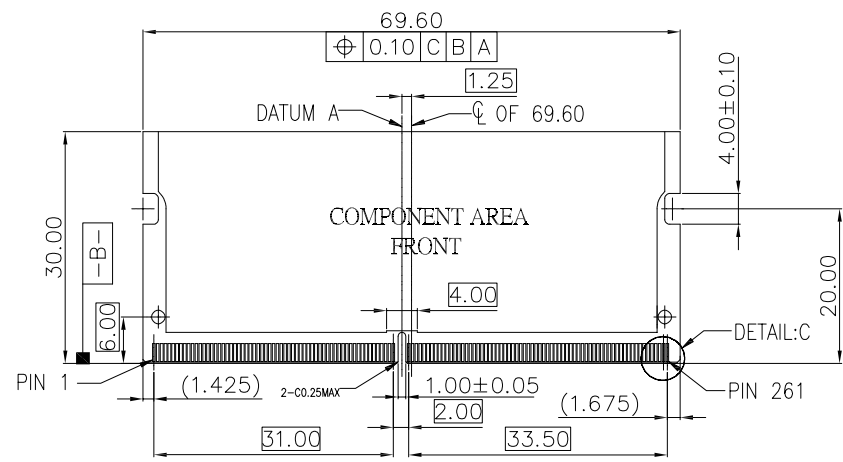


SECTION:A-A
SCALE 2:1

TOLERANCES UNLESS OTHERWISE SPECIFIED: X. --- X.X ± 0.38 X.XX ± 0.25 X.XXX ± 0.10 Angle ±1°	CUSTOMER COPY	深圳市东方御业科技有限公司 www.dfycn.com tel:0755-27155560	
	DRAWN: CHENLEI	2022/09/10	TITL: DDR5 So Dimm 262P 5.2H STD
THESE DRAWING AND SPECIFICATION ARE THE PROPERTY OF Shenzhen Dongfangyue ELECTRONIC CO., LTD.. SHALL NOT BE REPRODUCED.	CHECKED: CHENLEI	2022/09/10	PART NO: EAST-26201-52
	APPROVED: QINKAIXING	2022/09/10	UNIT: mm
		SCALE: N/A	SHEET: 1:1
			REV.

www.dfycn.com

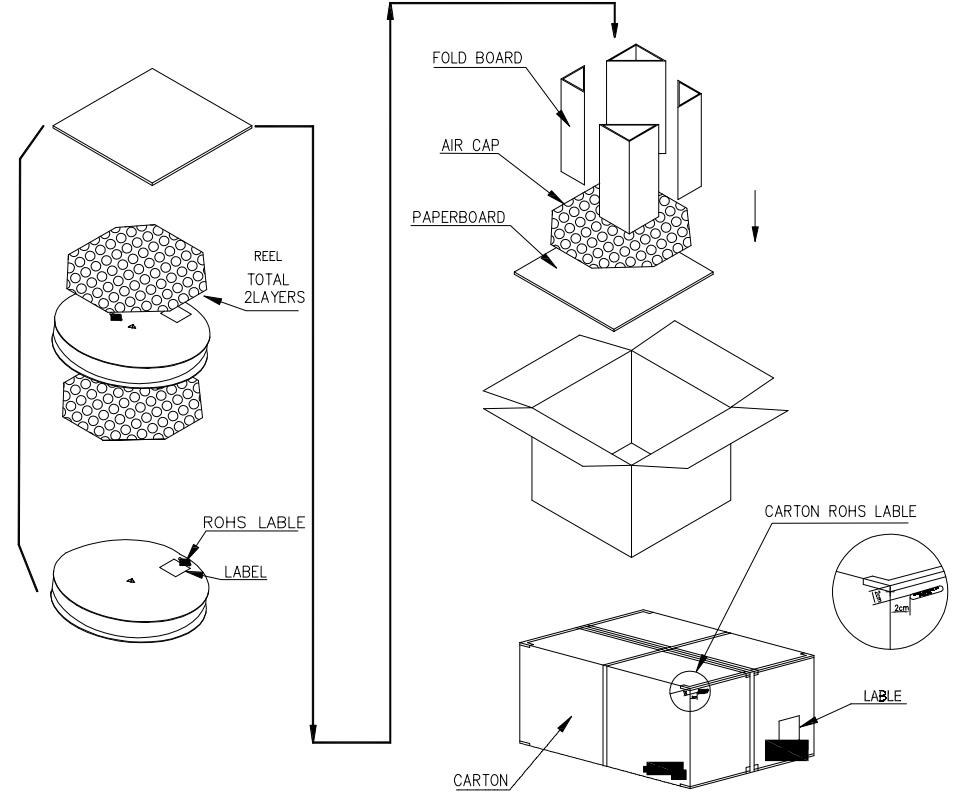
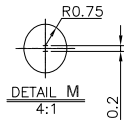
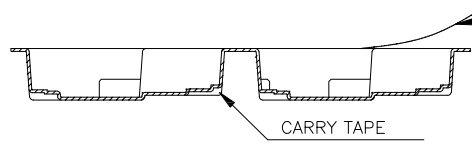
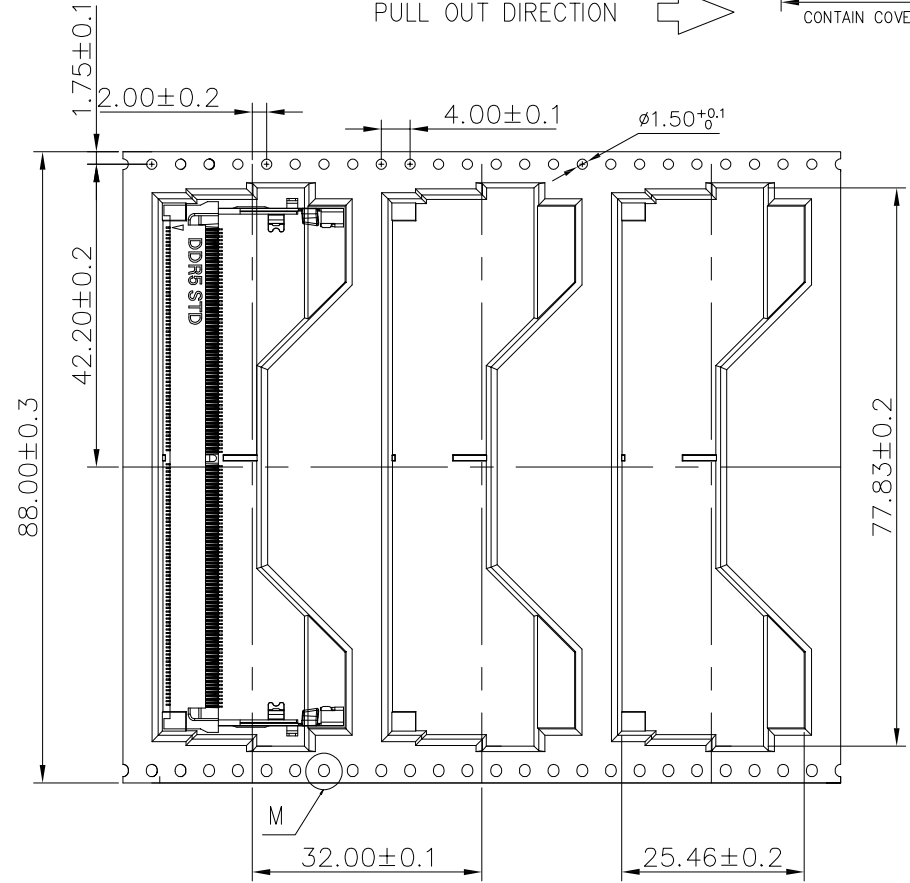
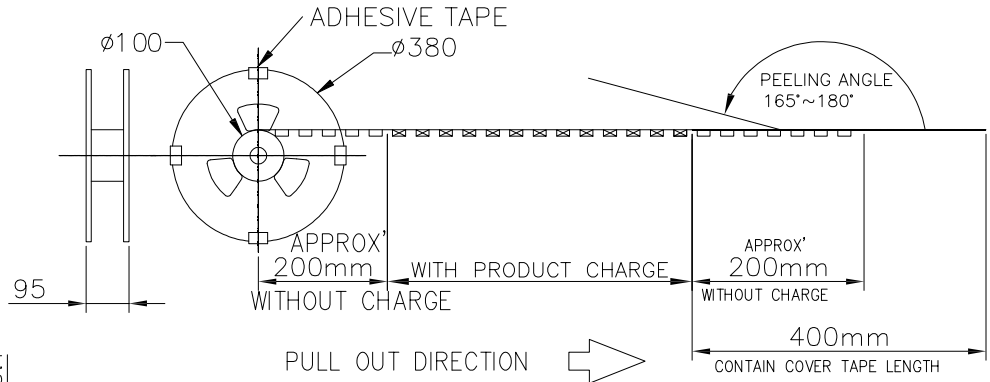
REV.	ECN NO.	MODIFY MATTER	DATE	APPROVED
A		RELEASE TO PRODUCTION		



TOLERANCES UNLESS OTHERWISE SPECIFIED: X. --- X.X ± 0.38 X.XX ± 0.25 X.XXX ± 0.10 Angle ±1°	CUSTOMER COPY 深圳市东方御业科技有限公司 www.dfycn.com tel:0755-27155560	
	DRAWN: CHENLEI	DATE: 2022/09/10
THESE DRAWING AND SPECIFICATION ARE THE PROPERTY OF Shenzhen Dongfangyue ELECTRONIC CO., LTD.. SHALL NOT BE REPRODUCED.	CHECKED: CHENLEI	DATE: 2022/09/10
	APPROVED: QINKAIXING	DATE: 2022/09/10
PART NO: EAST-26201-52		UNIT: mm
SCALE: N/A		SHEET: 1:1
REV.		REV.

www.dfycn.com

REV.	ECN NO.	MODIFY MATTER	DATE	APPROVED
A		RELEASE TO PRODUCTION		



PCS/REEL	REEL/CARTON	PCS/CARTON	SEE P/N PART NUMBER
400	2	800	

TOLERANCES UNLESS OTHERWISE SPECIFIED: X. --- X.X ± 0.38 X.XX ± 0.25 X.XXX ± 0.10 Angle ± 1°		COSTUMER COPY		深圳市东方御业科技有限公司 www.dfycconn.com tel:0755-27155560	
DRAWN: CHENLEI		2022/09/10		TITLE: DDR5 So Dimm 262P 5.2H STD	
CHECKED: CHENLEI		2022/09/10		PART NO: EAST-26201-52 (RoHS)	
APPROVED: QINKAIXING		2022/09/10		UNIT: mm	SCALE: N/A
				SHEET: 1:1	REV.

www.dfycconn.com