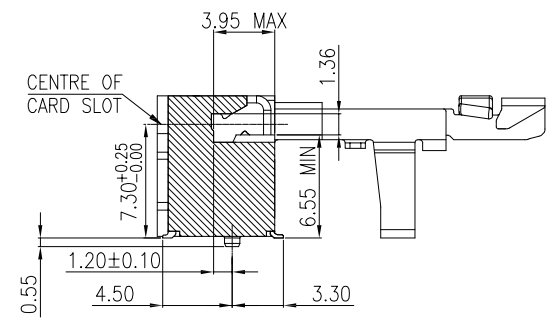
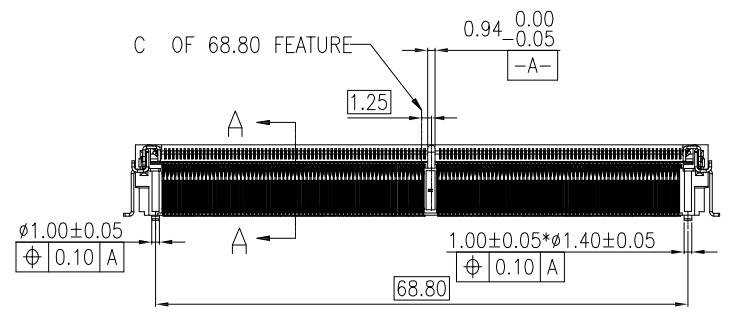


- NOTES:
- MATERIAL:
 - HOUSING:LCP,UL94V-0,COLOR:BLACK.
 - CONTACT:PHOSPHOR BRONZE.
 - LATCH:STAINLESS STEEL.
 - FINISH:
 - CONTACT:
 - 50u" MIN NICKEL UNDERPLATED ALL OVER.
 - GOLD FLASH PLATING ON SOLDER TAIL.
 - GOLD PLATING (THICKNESS SEE P/N) ON CONTACT AREA.
 - SOLDER PEG:
 - 50u" MIN NICKEL UNDERPLATED ALL OVER.
 - 100u" MIN MATTE TIN PLATING ENTIRE OVER.
 - DATE CODE :YYWDXLX
 - YY: YEAR (09: 2009)
 - WW: WEEK (25: THE 25TH WEEK)
 - D: DAY (1~7: SUNDAY~SATURDAY)
 - L: LINE NUMBER OF ASSEMBLY (A: LINE A)
 - X: MANUFACTURE CODE
 - RECOMMENDED STENCIL THICKNESS:0.12mm Min.
 - UNSPECIFIED TOLERANCE:X.±0.5 .X±0.35 .XX±0.25 .XXX±0.15



CHNEAST P/N:
EAST-262 01 X 90 K1 X X

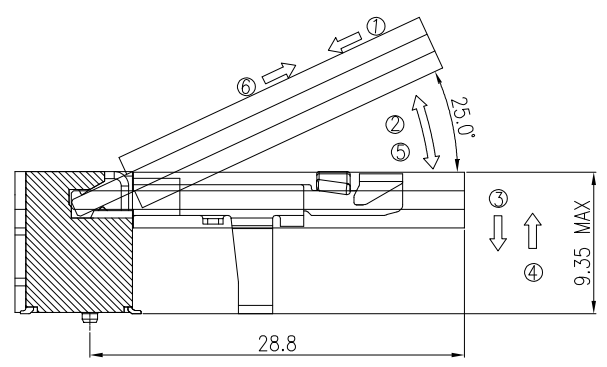
No. of Pins: [Diagram showing 26 pins]

Plating: [Diagram showing plating options]

Environment Protection:
 R for RoHS
 G for GP
 H for Halogen-free

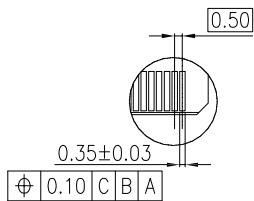
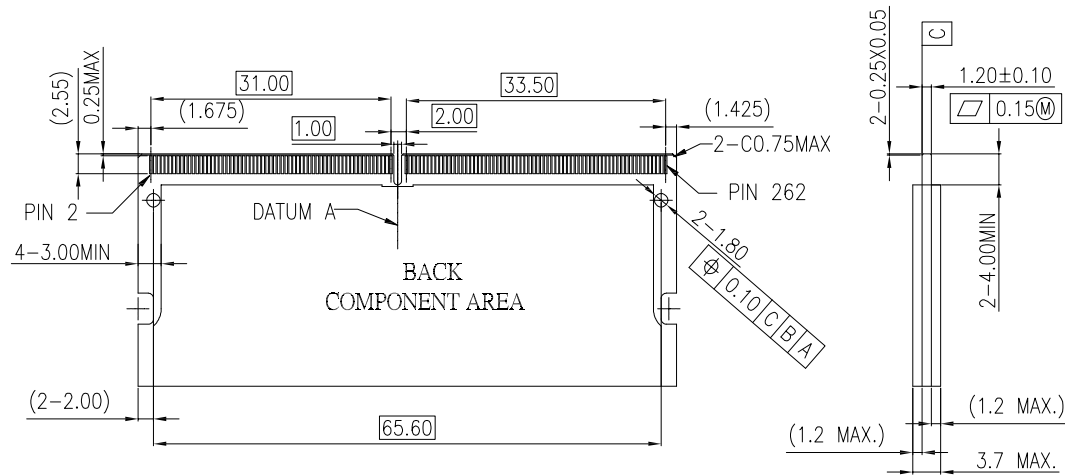
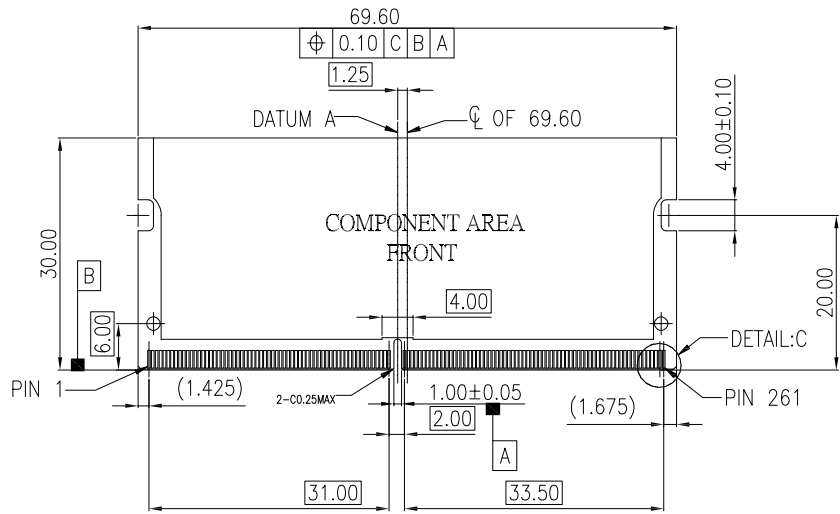
Packing:
 A-Tube, B-Reel, C-Tray

Color:
 Kx:Black, Lx:White

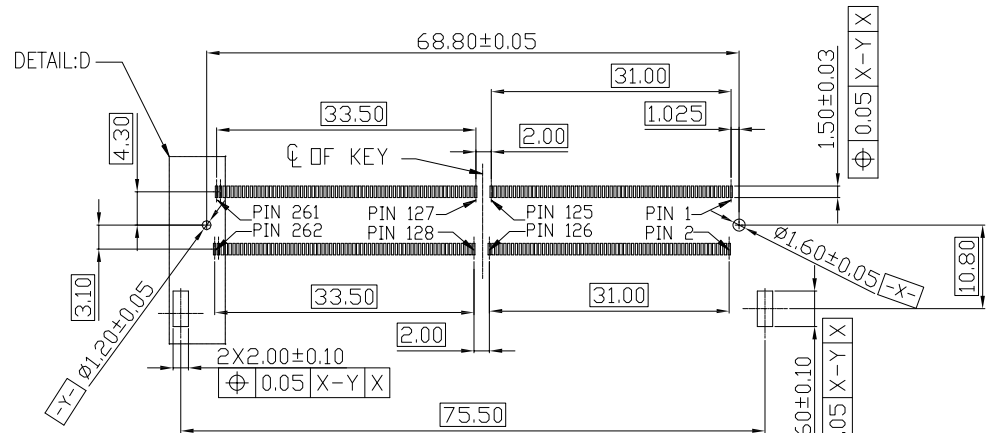


MATING: ① INSERTING(25°) → ② ROTATING → ③ FIXED
 UNMATING: ④ UNFIXED → ⑤ ROTATING → ⑥ WITHDRAWING

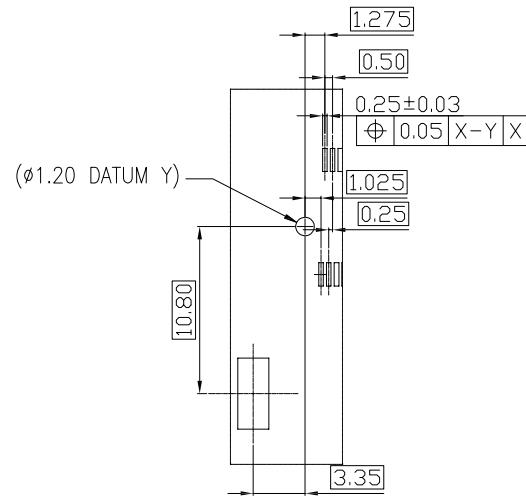
TOLERANCE		深圳市东方御业科技有限公司 WWW.DFYCONN.COM Tel:0755-27155560	TITLE: DDR5 So Dimm 262P 9.0H STD				
LINEAR	ANGLES		PART NO.: SEE TABLE				
X.±0.30	X°.±2.0°		DWG NO.: EAST-26201-90				
.X ±0.25	.X°±1.0°		APPD:	DRWN: Rocky	UNITS	SCALE	SHEET
.XX ±0.20		CHKD:	DATE: 2014-3-28	MM	1:1	1 OF 3	A/0



DETAIL:C
 SCALE 2:1



RECOMMEND PCB LAYOUT(TOP VIEW)
 THE TOLERANCE UNLESS SPECIFIED IS ±0.05MM

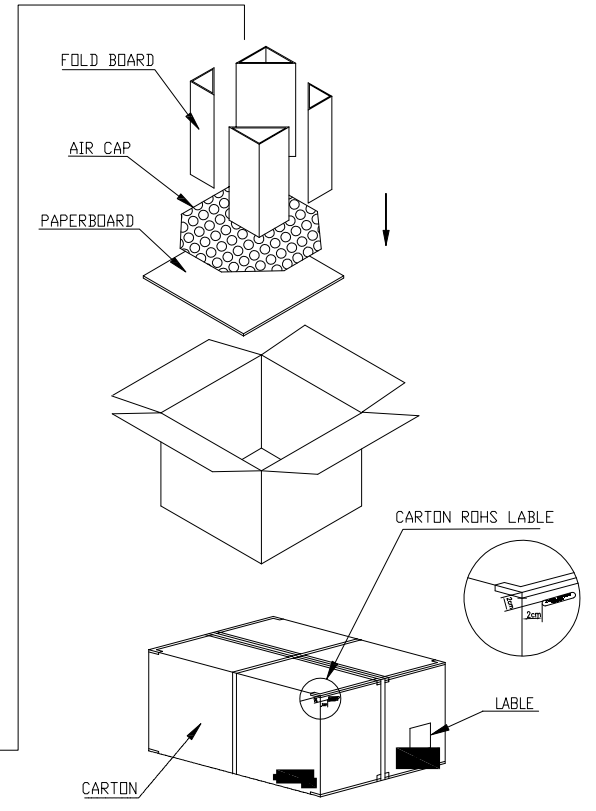
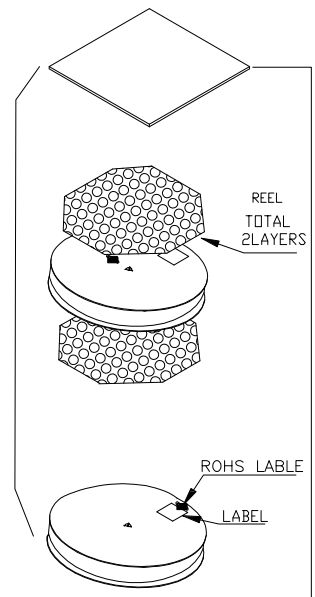
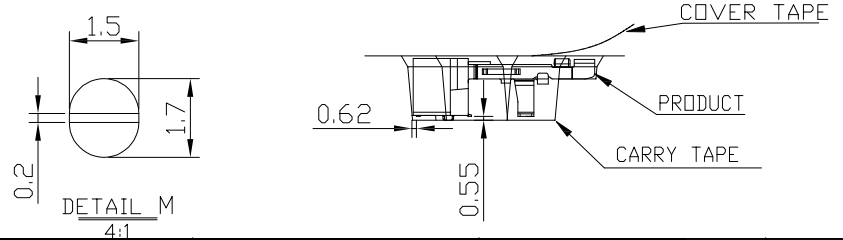
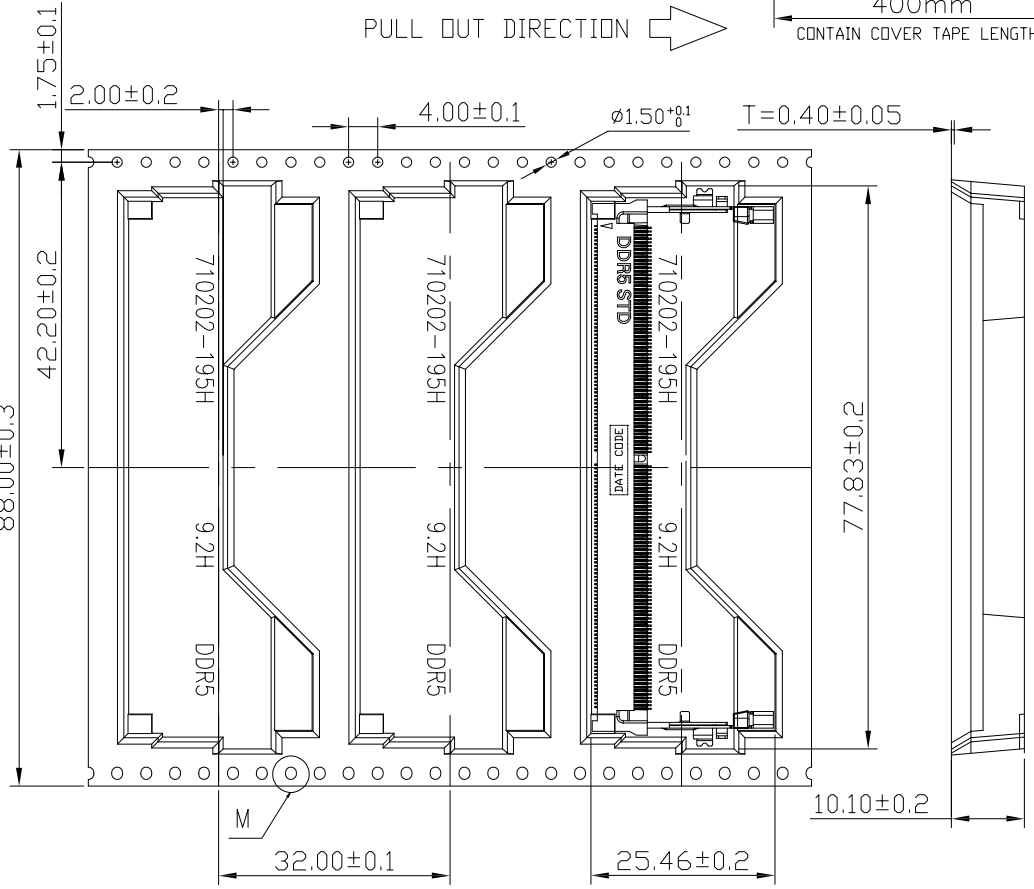
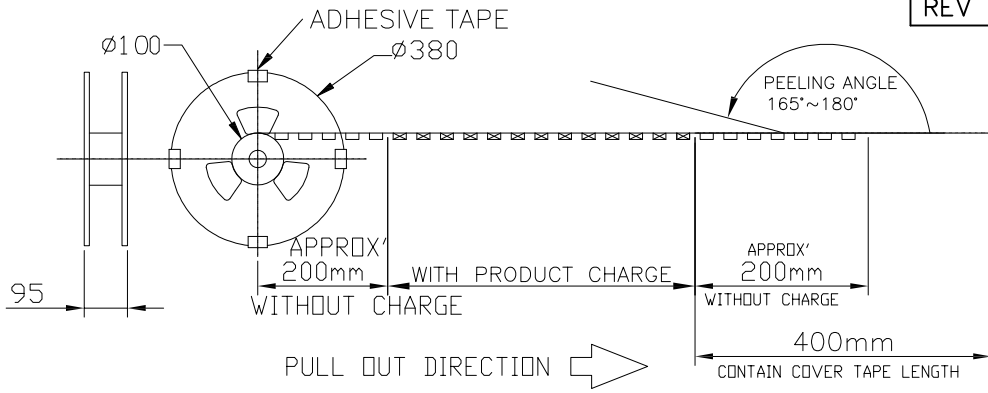


DETAIL:D
 SCALE 2:1

TOLERANCE		TITLE:	
LINEAR	ANGLES	DDR5 So Dimm 262P 9.0H STD	
X.±0.30	X°.±2.0°	PART NO.: SEE TABLE	
.X ±0.25	.X°±1.0°	DWG NO.: EAST-20201-90	
.XX ±0.20		APPD:	DRWN: Rocky
		CHKD:	DATE: 2014-3-28
			UNITS: MM
			SCALE: 1:1
			SHEET: 1 OF 3
			REV: A/0

深圳市东方御业科技有限公司
 WWW.DFYCONN.COM Tel:0755-27155560

REV	LTR	DESCRIPTION	DATE	DWN
-----	-----	-------------	------	-----



250	2	500	SEE P/N
PCS/REEL	REEL/CARTON	PCS/CARTON	PART NUMBER

TOLERANCE		深圳市东方御业科技有限公司 WWW.DFYCONN.COM Tel:0755-27155560	TITLE: DDR5 So Dimm 262P 9.0H STD			
LINEAR	ANGLES		PART NO.: SEE TABLE			
X.±0.30	X°.±2.0°		DWG NO.: EAST-20201-90			
.X±0.25	.X°.±1.0°		APPD:	DRWN: Rocky	UNITS	SCALE
.XX±0.20		CHKD:	DATE: 2014-3-28	MM	1:1	
				SHEET	REV	
				1 OF 3	A/0	