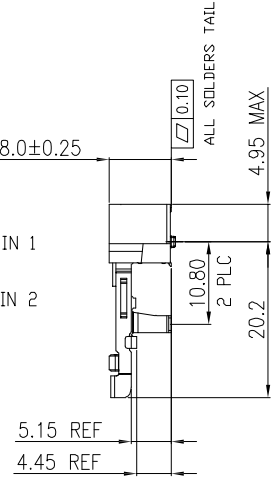
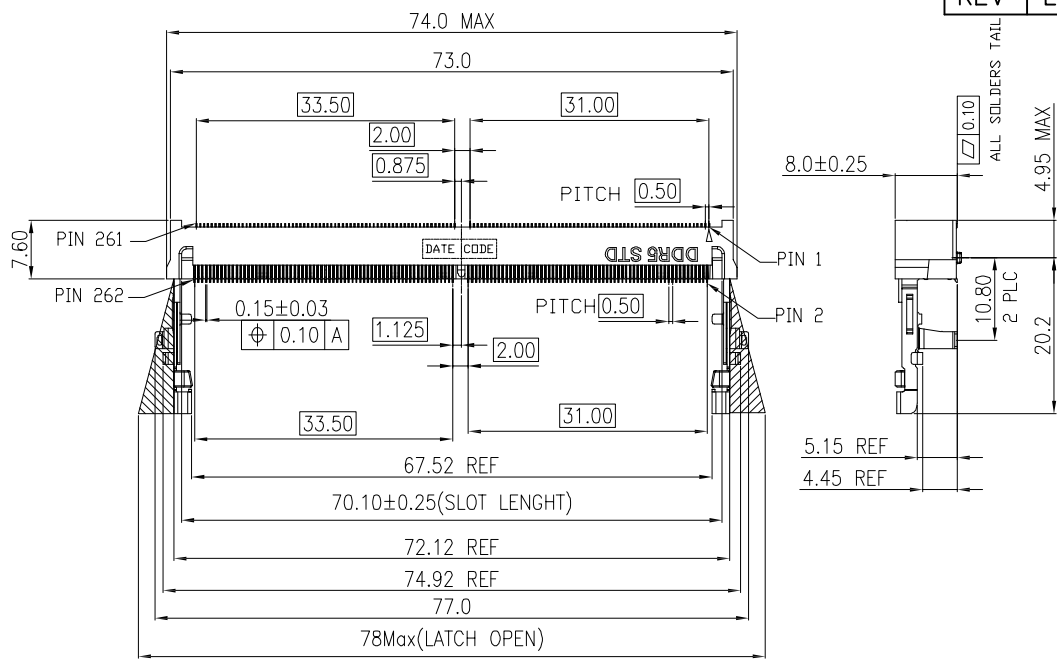
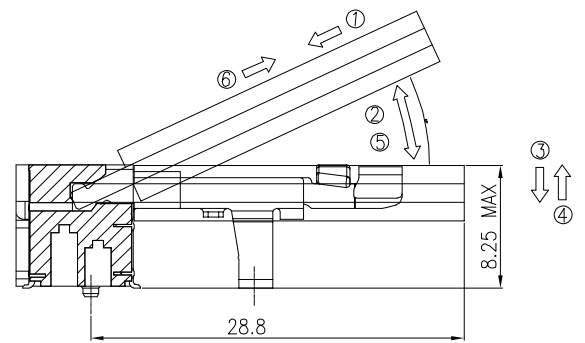
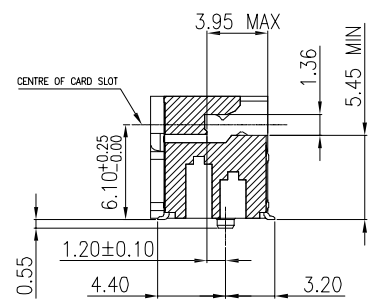
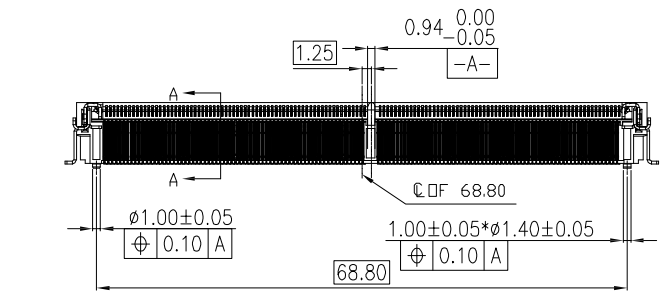


| | | | | |
|-----|-----|-------------|------|-----|
| REV | LTR | DESCRIPTION | DATE | DWN |
|-----|-----|-------------|------|-----|



NOTES:
 1. MATERIAL:
 1.1 HOUSING:LCP,UL94V-0,COLOR:BLACK.
 1.2 CONTACT:PHOSPHOR BRONZE.
 1.3 LATCH:STAINLESS STEEL.
 2. FINISH:
 2.1 CONTACT:50u" MIN NICKEL UNDERPLATED ALL OVER.
 GOLD FALSH PLATING ON SOLDERTAIL.
 GOLD PLATING (THICKNESS SEE P/N) ON CONTACT AREA.
 2.2 SOLDER PEG:
 50u" MIN NICKEL UNDERPLATED ALL OVER.
 100u" MIN MATTE TIN PLATING ENTIRE OVER.
 3. DATE CODE : YYWDLX
 YY: YEAR (09: 2009)
 WW: WEEK (25: THE 25TH WEEK)
 D: DAY (1~7: SUNDAY~SATURDAY)
 L: LINE NUMBER OF ASSEMBLY (A: LINE A)
 X: MANUFACTURE CODE

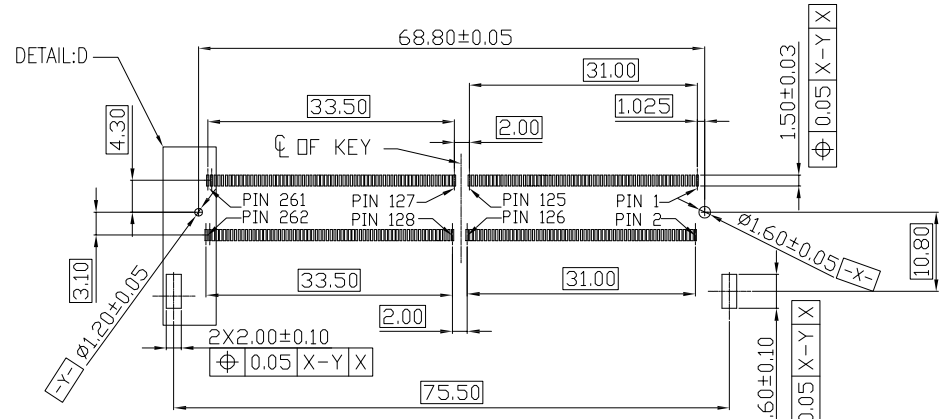
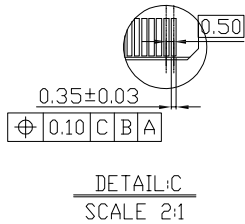
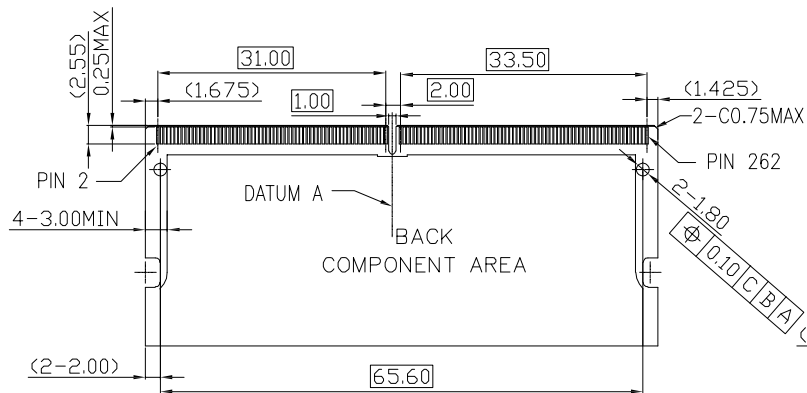
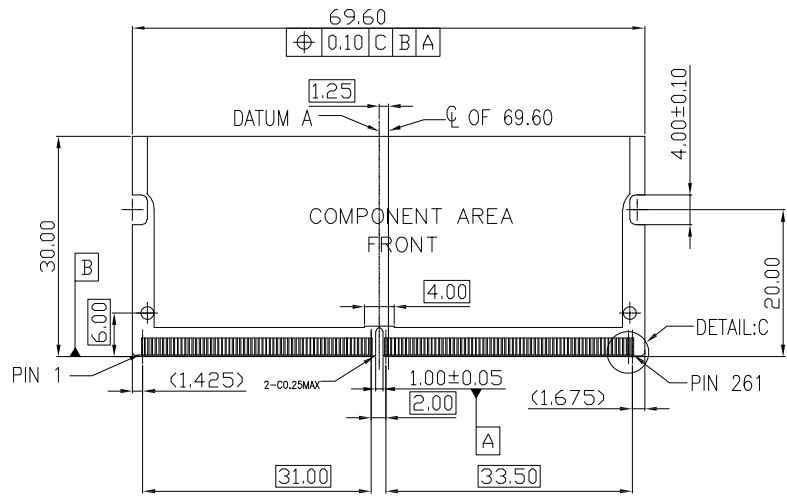


CHNEAST P/N:
EAST-262 01 X 80 K1 B X

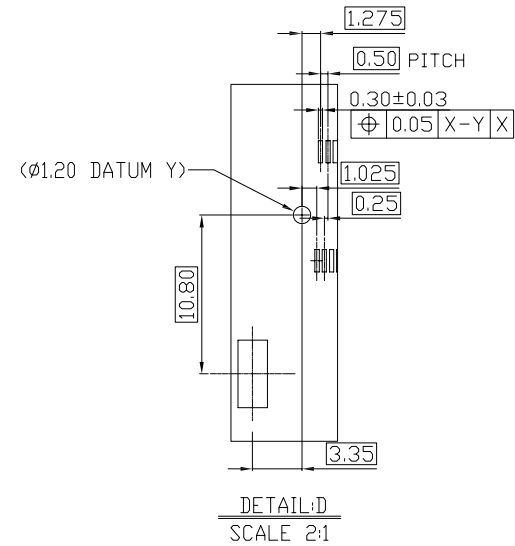
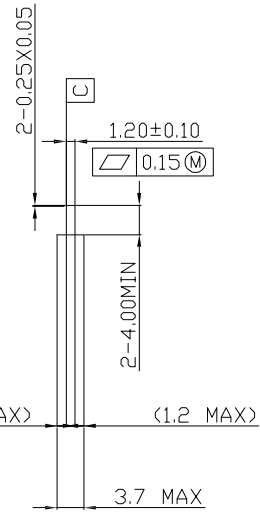
No. of Pins: [Diagram pointing to 26 pins]
 Plating:
 A- Pin Flash.Gold
 B-Pin Gold 3u"
 C-Pin Gold 5u"
 D-Pin Gold 10u"
 E-Pin Gold 15u"
 G-Pin Gold 30u"
 Environment Protection:
 R for RoHS
 G for GP
 H for Halogen-free
 Packing:
 A-Tube, B-Reel, C-Tray
 Color:
 Kx:Black, Lx:White

MATING/UNMATING VIEW
 MATING: ①INSERTING<25°>→②ROTATING→③FIXED
 UNMATING:④UNFIXED→⑤ROTATING→⑥WITHDRAWING

| | | | | | | | |
|-----------|----------|--|---|-------------|-------|--------|-------|
| TOLERANCE | | 深圳市东方御业科技有限公司 WWW.DFYCONN.COM Tel:0755-27155560 | TITLE: DDR5 So Dimm 262P 8.0H STD C-DWG | | | | |
| LINEAR | ANGLES | | PART NO.: SEE TABLE | | | | |
| X.±0.30 | X°.±2.0° | | DWG NO.: EAST-26201-80 | | | | |
| .X±0.25 | .X°±1.0° | | APPD: | DRWN: Rocky | UNITS | SCALE | SHEET |
| .XX±0.20 | | CHKD: | DATE: 2014-3-28 | MM | 1:1 | 1 OF 3 | A/0 |



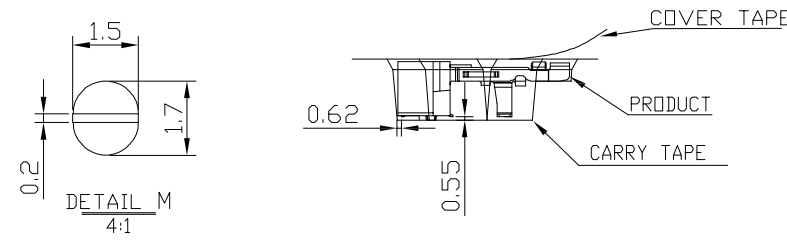
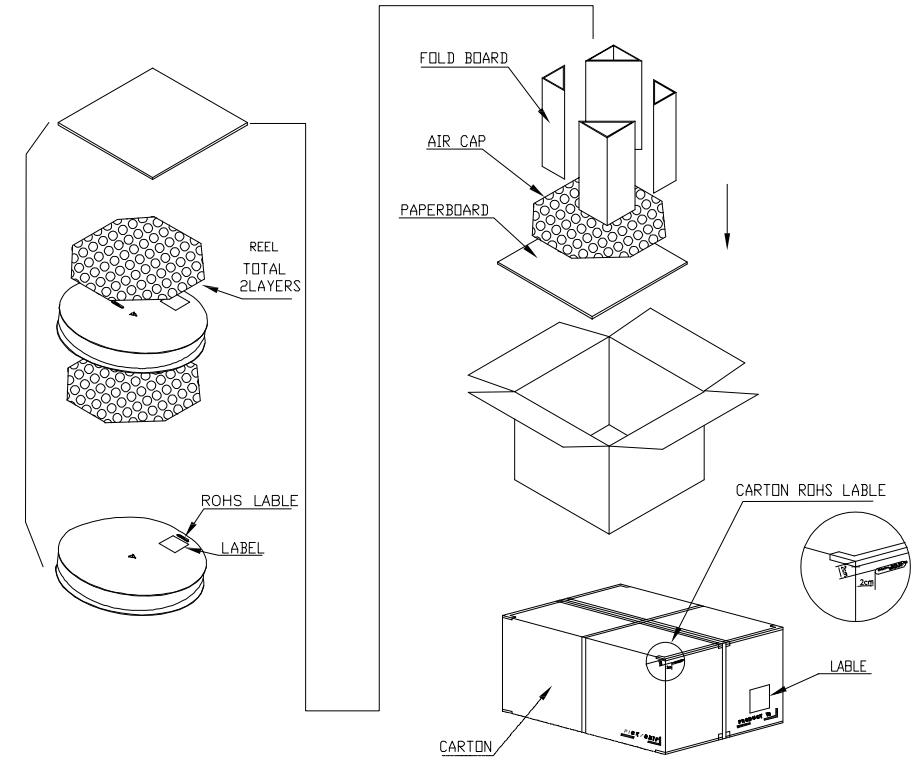
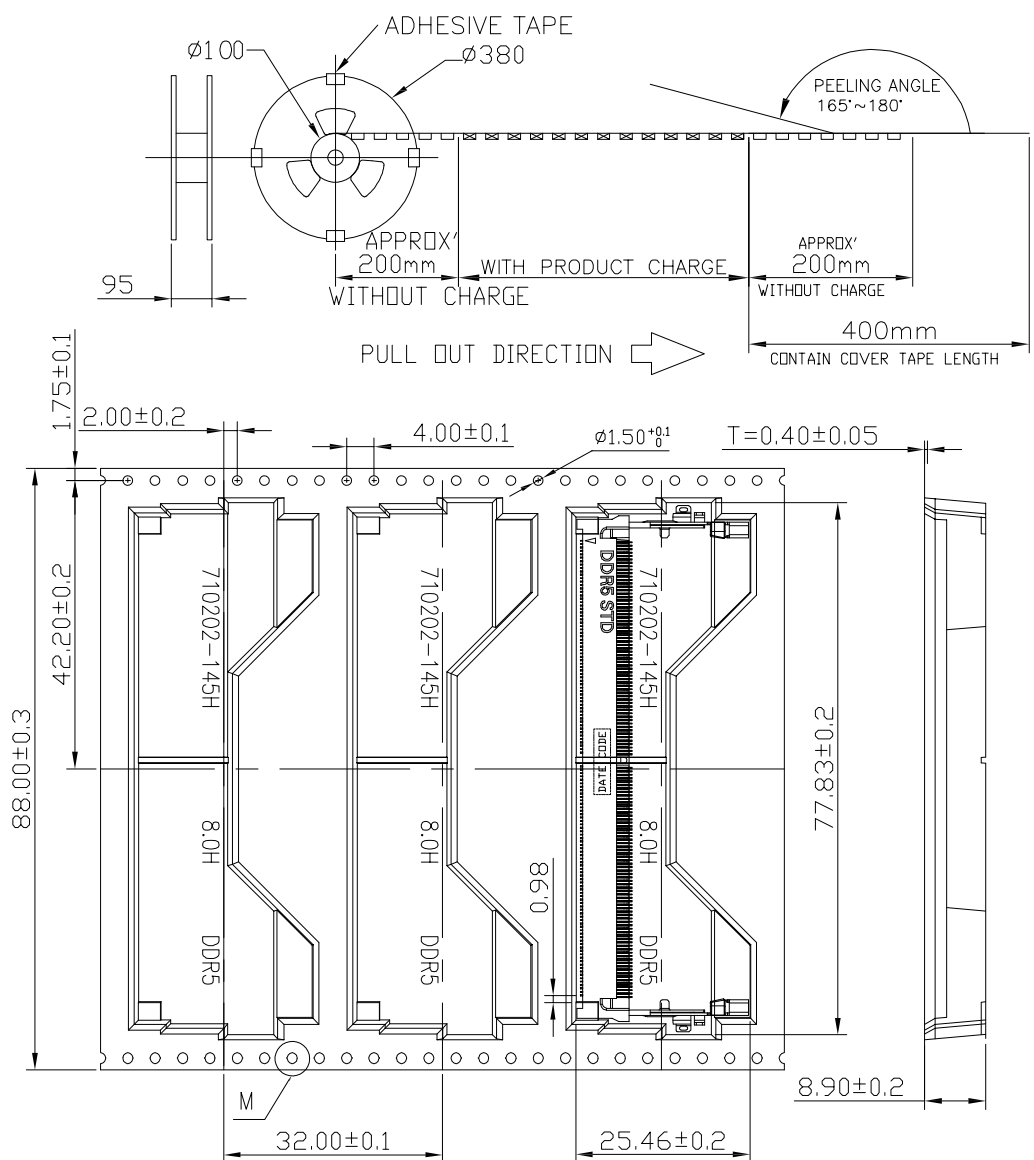
RECOMMEND PCB LAYOUT
THE TOLERANCE UNLESS SPECIFIED IS ±0.05MM



| | | | |
|---|-------------|------------|-------------|
| 250 | 2 | 500 | SEE P/N |
| PCS/REEL | REEL/CARTON | PCS/CARTON | PART NUMBER |
| TITLE: DDR5 So Dimm 262P 8.0H STD C-DWG | | | |
| PART NO.: SEE TABLE | | | |
| DWG NO.: EAST-26201-80 | | | |
| UNITS | SCALE | SHEET | REV |
| MM | 1:1 | 1 OF 3 | A/0 |

| TOLERANCE | |
|-----------|----------|
| LINEAR | ANGLES |
| X.±0.30 | X°.±2.0° |
| .X±0.25 | .X°±1.0° |
| .XX±0.20 | |

| | |
|-----------------------------------|-----------------|
| 深圳市东方御业科技有限公司 | |
| WWW.DFYCONN.COM Tel:0755-27155560 | |
| APPD: | DRWN: Rocky |
| CHKD: | DATE: 2014-3-28 |



| TOLERANCE | |
|-----------|----------|
| LINEAR | ANGLES |
| X.±0.30 | X°.±2.0° |
| .X±0.25 | .X°±1.0° |
| .XX±0.20 | |

深圳市东方御业科技有限公司
 WWW.DFYCONN.COM Tel:0755-27155560
 APPD:
 DRWN: Rocky
 CHKD:
 DATE: 2014-3-28

| | | | |
|--|-----------------|----------------|-------------|
| 250 | 2 | 500 | SEE P/N |
| PCS/ REEL | REEL/ CARTON | PCS/ CARTON | PART NUMBER |
| TITLE: DDR5 So Dimm 262P 8.0H STD C-DWG | | | |
| PART NO.: SEE TABLE | | | |
| DWG NO.: EAST-26201-80 | | | |
| UNITS | SCALE | SHEET | REV |
| | | | MM |