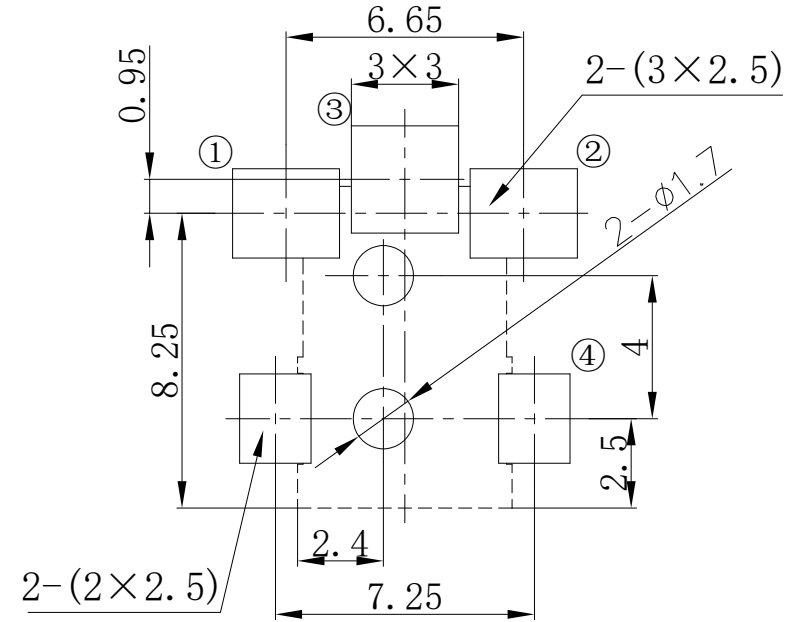
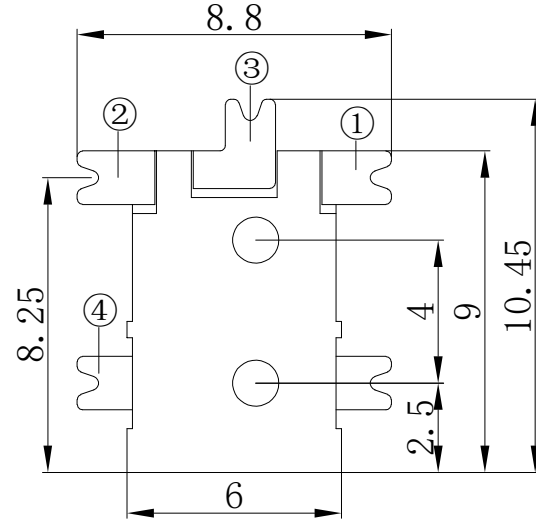
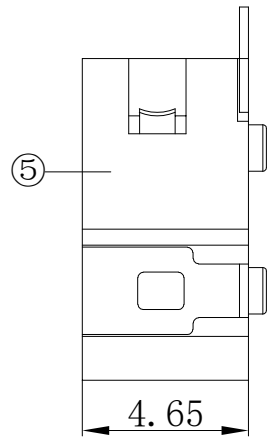
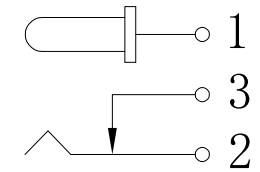
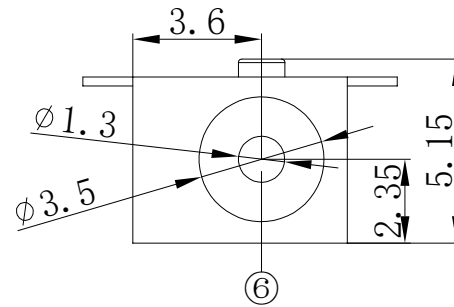
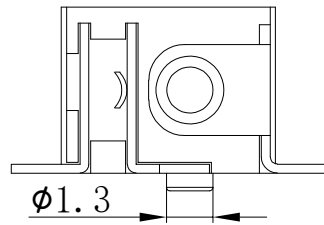


REV.	ECN NO.	MODIFY MATTER	DATE	APPROVED
A		RELEASE TO PRODUCTION		



P.C.B LAYOUT  
TOP VIEW



SCHEMATIC

额定电负荷	DC 30V\0.5A
接触电阻	≤0.03Ω
绝缘电阻	≥100MΩ
耐压	AC500V (50Hz)/min
插拔力	3-20N
使用温度范围	-30~70℃
使用寿命	5000次

TOLERANCES UNLESS OTHERWISE SPECIFIED: X. --- X.X ± 0.38 X.XX ± 0.25 X.XXX ± 0.10 Angle ±1°		COSTOMER COPY		深圳市东方御业科技有限公司 WWW.DFYCONN.COM TEL:0755-27155560	
DRAWN: CHENLEI		2017/09/10		TITL: DC JACK 3.5mm中心针1.30mm DC092 (RoHS)	
CHECKED: CHENLEI		2017/09/10		PART NO: EAST-DC-092-1.30	
APPROVED: QINKAIXING		2017/09/10		UNIT: mm	SCALE: N/A
THESE DRAWING AND SPECIFICATION ARE THE PROPERTY OF Shenzhen Dongfangyuye ELECTRONIC CO., LTD. SHALL NOT BE REPRODUCED.				SHEET: 1:1	REV.