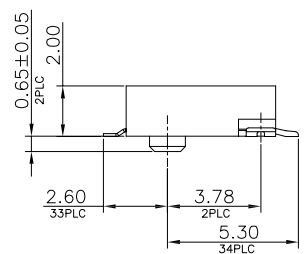
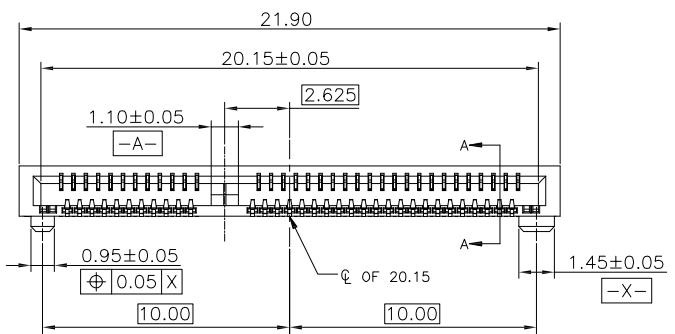
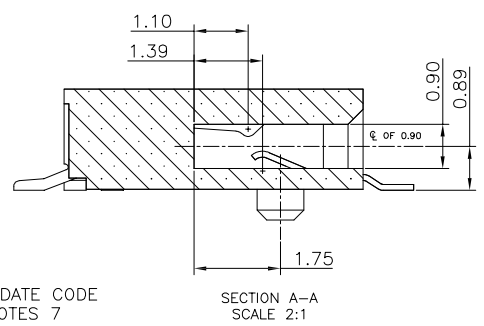
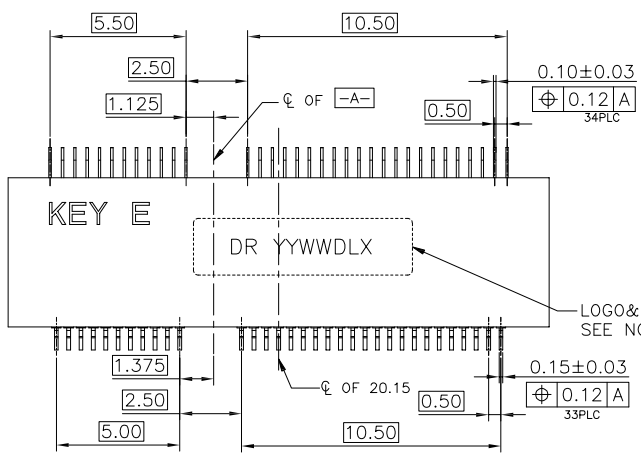


NOTES:  
 MATERIAL MUST MEET DEREN CONTROLLED SUBSTANCES SPEC.PER WI-PB-S-010.  
 PRODUCT MUST MEET CONTROLLED SUBSTANCES SPEC. ROHS 2.0

1. MATERIAL:  
 1.1 HOUSING: LCP , UL94V-0; COLOR: BLACK  
 1.2 CONTACTS: PHOSPHOR BRONZE  
 1.3 FLOATING PEG: STAINLESS STEEL
2. FINISH:  
 2.1 CONTACT:  
 GOLD(SEE NOTE 10) PLATED ON CONTACT AREA AND GOLD FLASH ON SOLDER AREA. 50u" MIN. NICKEL UNDERPLATING.  
 2.2 FLOATING PEG:  
 100u" MIN MATTE-TIN. 50u"MIN NICKEL UNDERPLATING.
3. REFLOW SOLDER CAPABLE TO 260°C 10SEC.
4. ELECTRICAL CHARACTERISTICS:  
 4.1 CONTACT CURRENT RATING: 0.5 AMPERE MAX, PER PIN,  
 4.2 VOLTAGE RATING: 50V AC.  
 4.3 INSULATION RESISTANCE: 500M OHM MIN.(INITIAL),  
 100M OHM MIN.(FINAL), AT 500V DC,  
 4.4 DIELECTRIC WITHSTANDING VOLTAGE: 300V AC RMS AT 60HZ, FOR 1 MINUTE.  
 4.5 CONTACT RESISTANCE: 55m OHM MAX(INITIAL)  
 ΔR 20m OHM MAX(FINAL)
5. OPERATION TEMPERATURE: -40°C TO +80°C  
 6. MATING FORCE: 2.04Kgf MAX.  
 EXTRACTION FORCE: 0.1Kgf MIN.  
 DURABILITY: 60 CYCLES



\*CHNEAST INFORMATION:\*

EAST-067 20 X 18 K1 B R

No. of Pins

Plating:

- A-Flash Gold (0.8u" Min)
- B-Gold 3u" Au
- C-Gold 5u" Au
- D-Gold 10u" Au
- E-Gold 15u" Au
- G-Gold 30u" Au

Environment Protection:

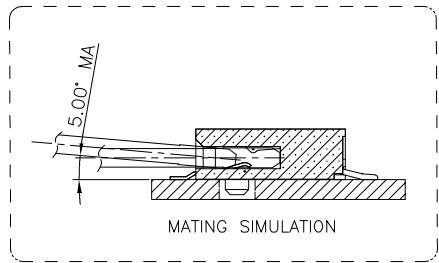
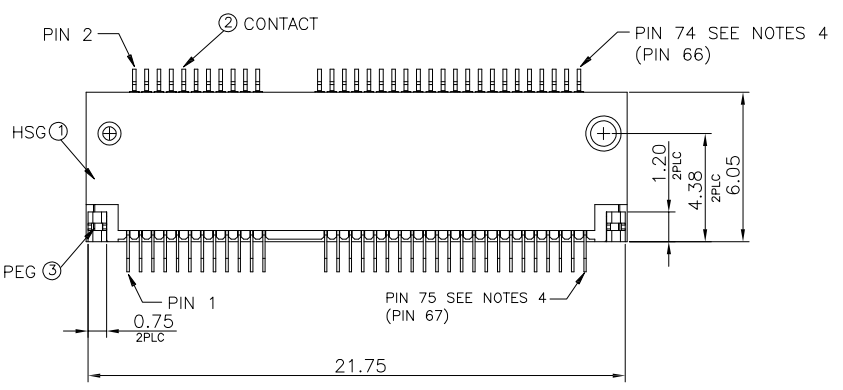
R for RoHS

Packing:

B-Tape&Reel

HSG Color:

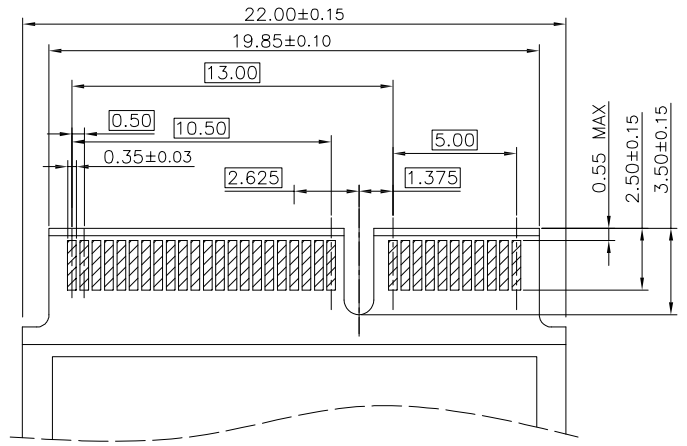
K1:Black .....



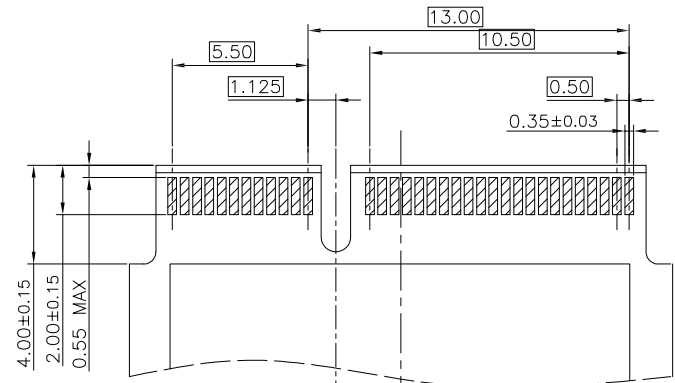
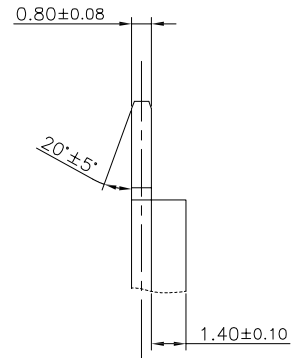
TOLERANCE		深圳市东方御业科技有限公司 WWW.DFYCONN.COM TEL:0755-27155560	TITLE: NGFF(M.2) 2.0H KEY-E Connector					
LINEAR	ANGLES		CUSTOMER COPY	PART NO.:	DWG NO.:	UNITS		
X.±0.50	X°.±2.0°		APPD:	DRWN: Rocky	MM	SCALE	SHEET	REV
.X±0.38	.X*±1.0°							
.XX±0.25	.XX*±	CHKD:						
.XXX±0.15	.XXX*±							

PLUG PCB

REV	LTR	DESCRIPTION	DATE	DWN
-----	-----	-------------	------	-----

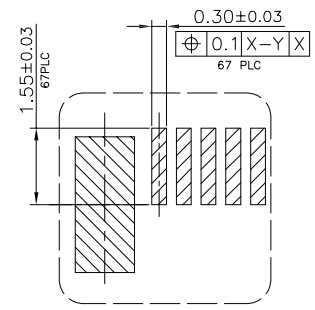
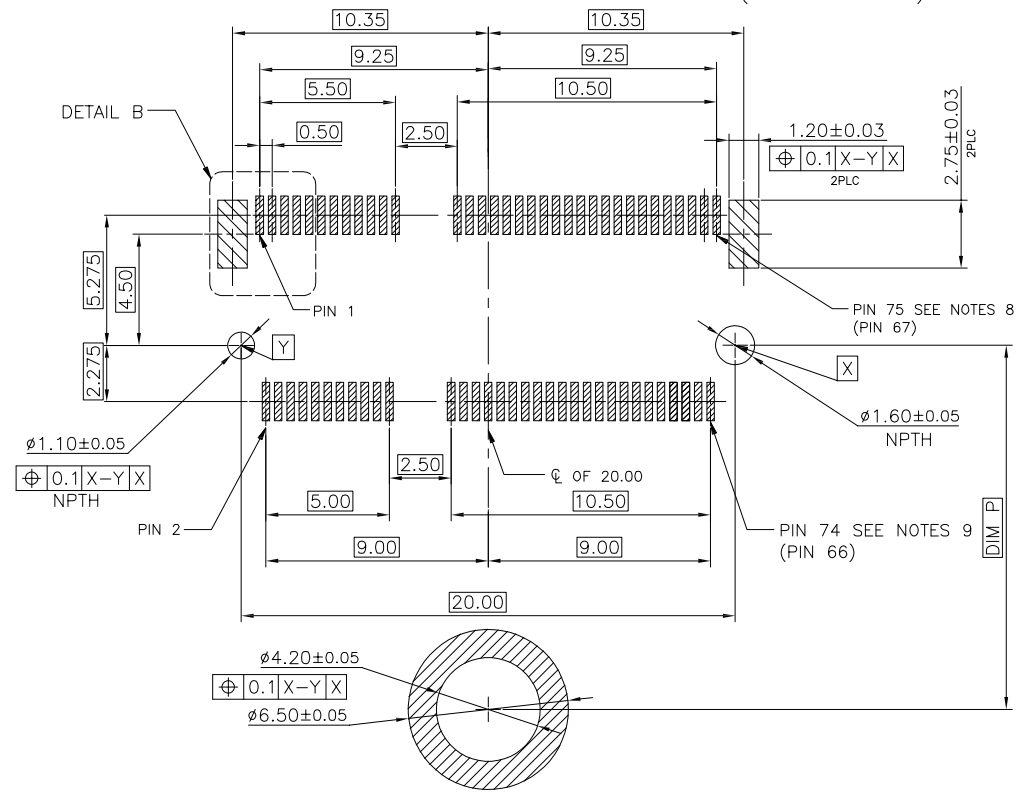


BOTTOM SIDE



TOP SIDE

RECOMMENDED PCB LAYOUT(TOP VIEW)

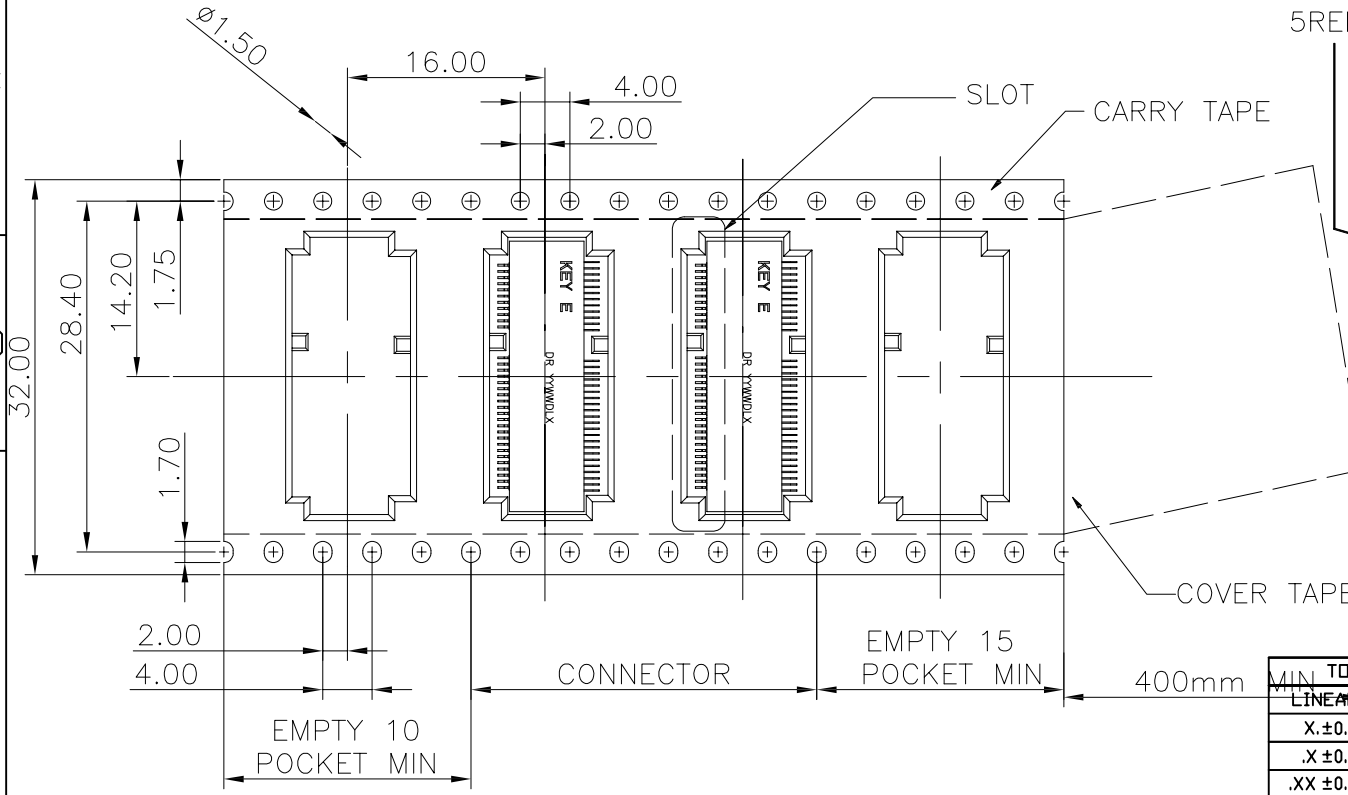
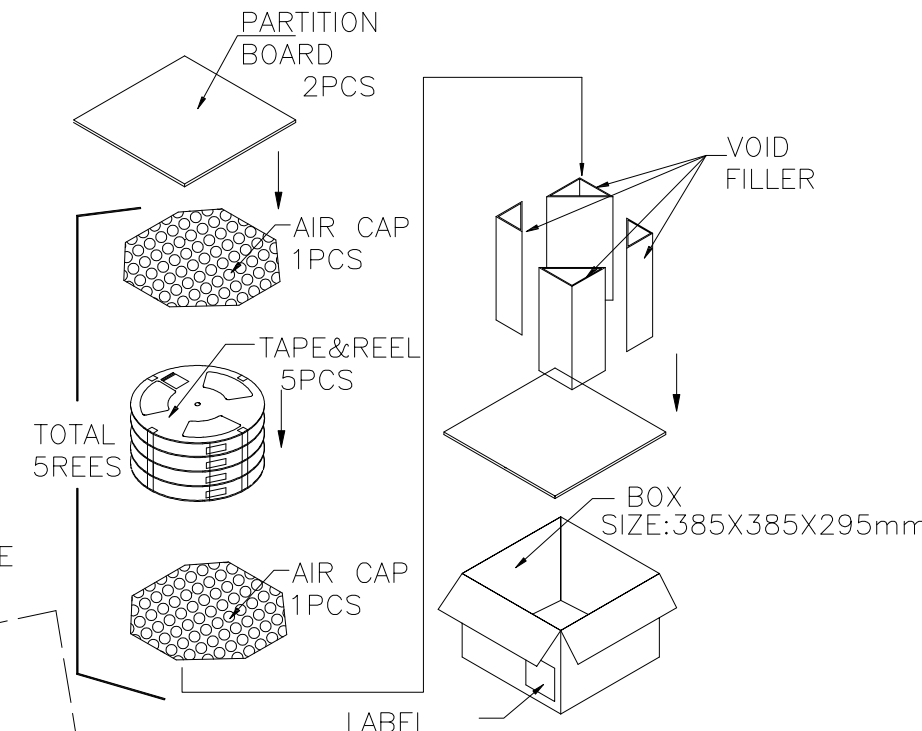
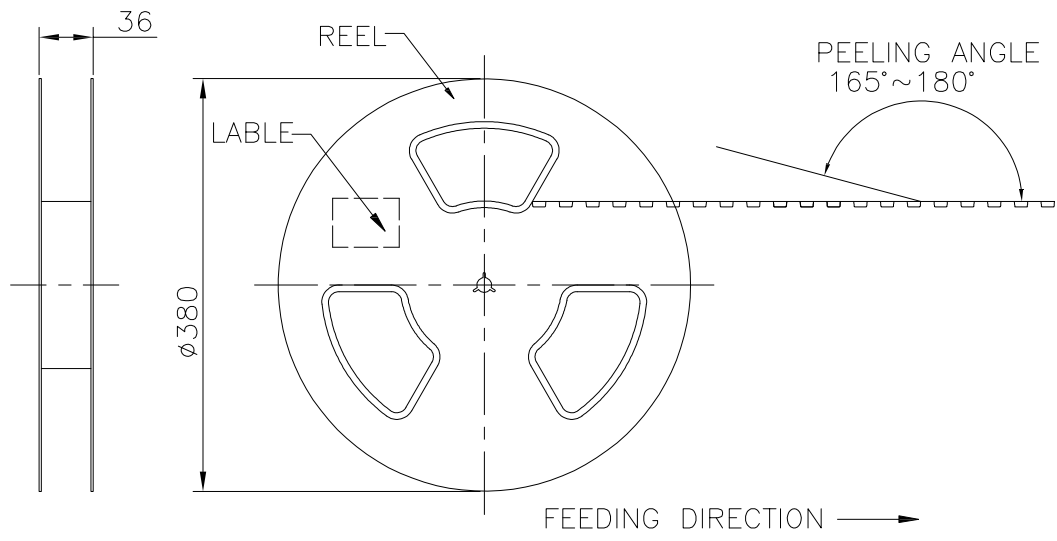


DETAIL B  
SCALE 2:1

22110	108.25
2280	78.25
2260	58.25
2242	40.25
2230	28.25
3042	40.25
3030	28.25
MODULE TYPE	DIM P

TOLERANCE		深圳市东方御业科技有限公司 WWW.DFYCONN.COM TEL:0755-27155560	TITLE: NGFF(M.2) 2.0H KEY-E Connector				
LINEAR	ANGLES		CUSTOMER COPY	PART NO.:			
X.±0.50	X°.±2.0°		DWG NO.: EAST-06720-18				
.X ±0.38	.X°±1.0°	APPD:	DRWN: Rocky	UNITS	SCALE	SHEET	REV
.XX ±0.25	.XX°±	CHKD:	DATE: 2016-9-29	MM	1:1	1 OF 2	A/0
.XXX ±0.15	.XXX°±						

REV	LTR	DESCRIPTION	DATE	DWN
-----	-----	-------------	------	-----



1500	5	7500
PCS/ TAPE	REELS/ BOX	PCS/BOX

TOLERANCE		TITLE:	
MIN		NGFF(M.2) 2.0H KEY-E Connector	
LINEAR	ANGLES	深圳市东方御业科技有限公司	
X.±0.50	X°.±2.0°	WWW.DFYCONN.COM TEL:0755-27155560	
.X±0.38	.X°.±1.0°	CUSTOMER	PART NO.:
.XX±0.25	.XX*±	APPD:	DRWN: Rocky
.XXX±0.15	.XXX*±	CHKD:	DATE: 2016-9-29
		UNITS	SCALE
		MM	1:1
		SHEET	REV
		1 OF 2	A/0