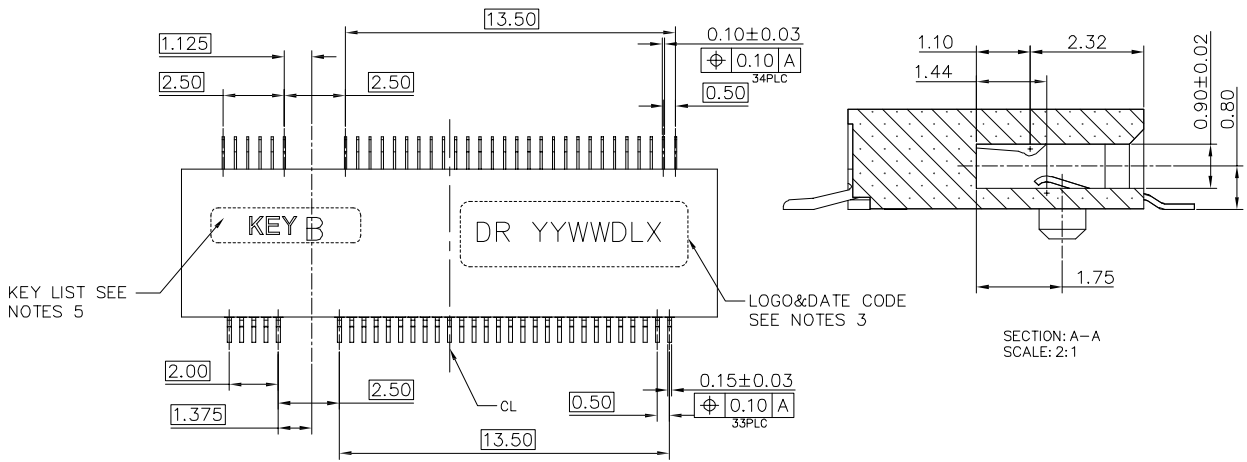


| | | | | |
|-----|-----|-------------|------|-----|
| REV | LTR | DESCRIPTION | DATE | DWN |
|-----|-----|-------------|------|-----|

NOTES:

- MATERIAL:
 - HOUSING: HIGH TEMPERATURE THERMOPLASTIC, UL94V-0, COLOR: BLACK
 - CONTACT: COPPER ALLOY.
 - SOLDER PEG: STAINLESS STEEL.
- FINISH:
 - CONTACT: UNDERCOAT NICKEL 50u" MIN ALL OVER.
Au GF PLATING ON SOLDER TAIL. CONTACT AREA: SEE TABLE,
 - SOLDER PEG: MATTE TIN 80u" MIN. AND NICKEL 50u" MIN UNDERPLATED.
- LOGO: DR OR DEREN, DATE CODE : YYWWDLX
 YY: YEAR (09: 2009)
 WW: WEEK (25: THE 25TH WEEK)
 D: DAY (1~7: SUNDAY~SATURDAY)
 L: LINE NUMBER OF ASSEMBLY (A: LINE A)
 X: D OR N (D: DAY; N: NIGHT)
- CONNECTOR ACTUAL PIN QUANTITY IS 67, AS THE KEY TAKING OUT 8 PINS.
- Recommended stencil thickness: 0.12mm Min.
- PART NUMBER DESCRIPTION:



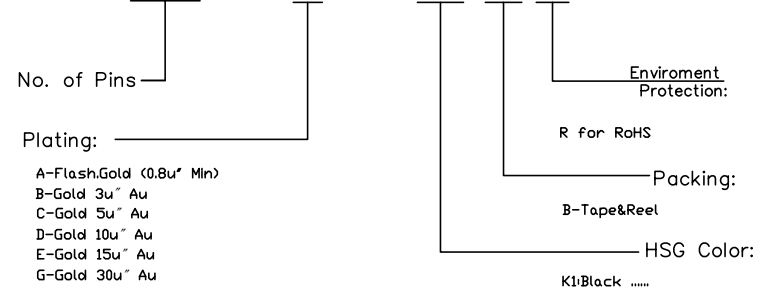
KEY LIST SEE NOTES 5

LOGO&DATE CODE SEE NOTES 3

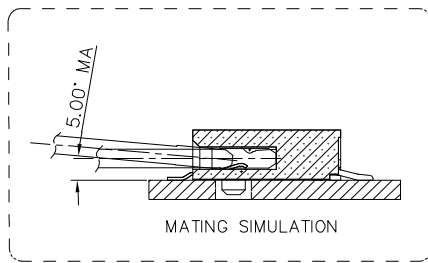
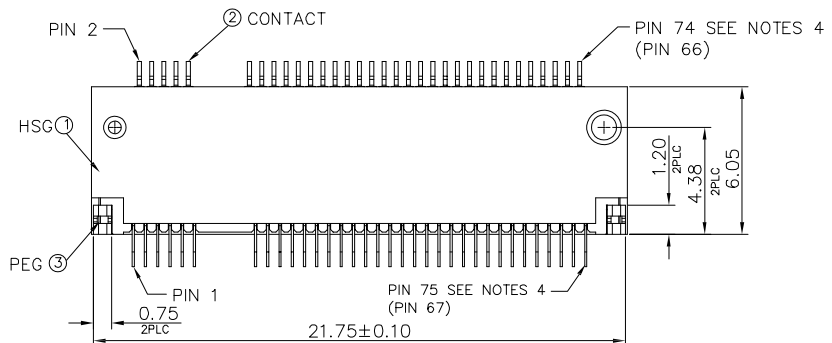
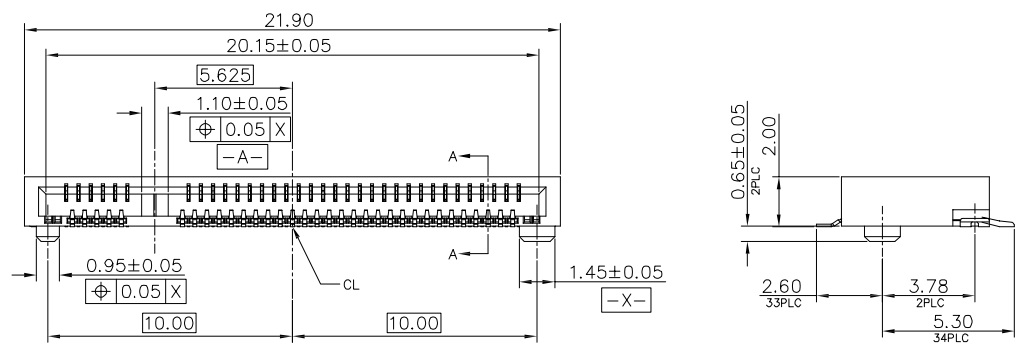
SECTION: A-A
SCALE: 2:1

CHNEAST INFORMATION:

EAST-067 20 X 15 K1 B R

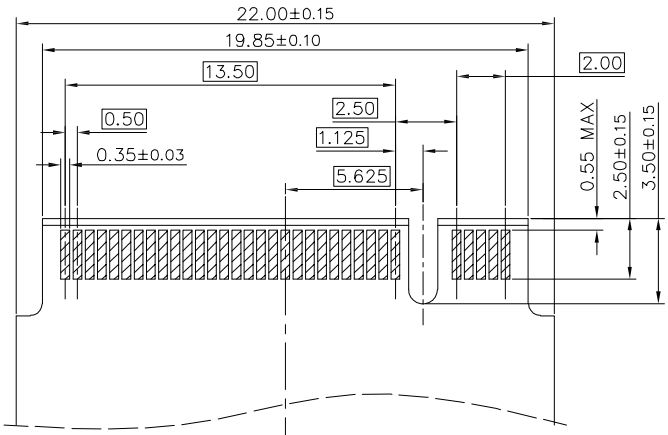


- Plating:
- A-Flash Gold (0.8u" Min)
 - B-Gold 3u" Au
 - C-Gold 5u" Au
 - D-Gold 10u" Au
 - E-Gold 15u" Au
 - G-Gold 30u" Au

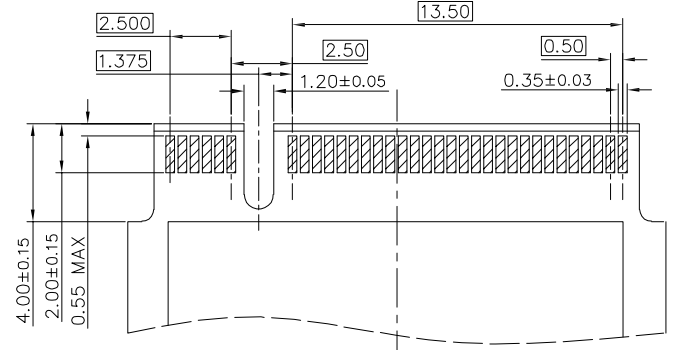
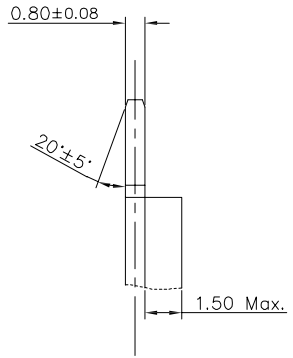


| TOLERANCE | | 深圳市东方御业科技有限公司 WWW.DFYCONN.COM TEL:0755-27155560 | TITLE: NGFF(M.2) 2.0H KEY-B Connector | | | |
|-----------|-----------|--|--|---------------|----------|-------|
| LINEAR | ANGLES | | CUSTOMER COPY | PART NO.: | DWG NO.: | UNITS |
| X.±0.50 | X°.±2.0° | | | EAST-06720-15 | MM | |
| .X±0.38 | .X°.±1.0° | APPD: | DRWN: Rocky | SCALE | SHEET | |
| .XX±0.25 | .XX°.± | CHKD: | DATE: 2016-9-29 | 1:1 | 1 OF 2 | |
| .XXX±0.15 | .XXX°.± | | | | A/0 | |

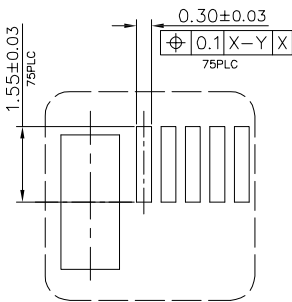
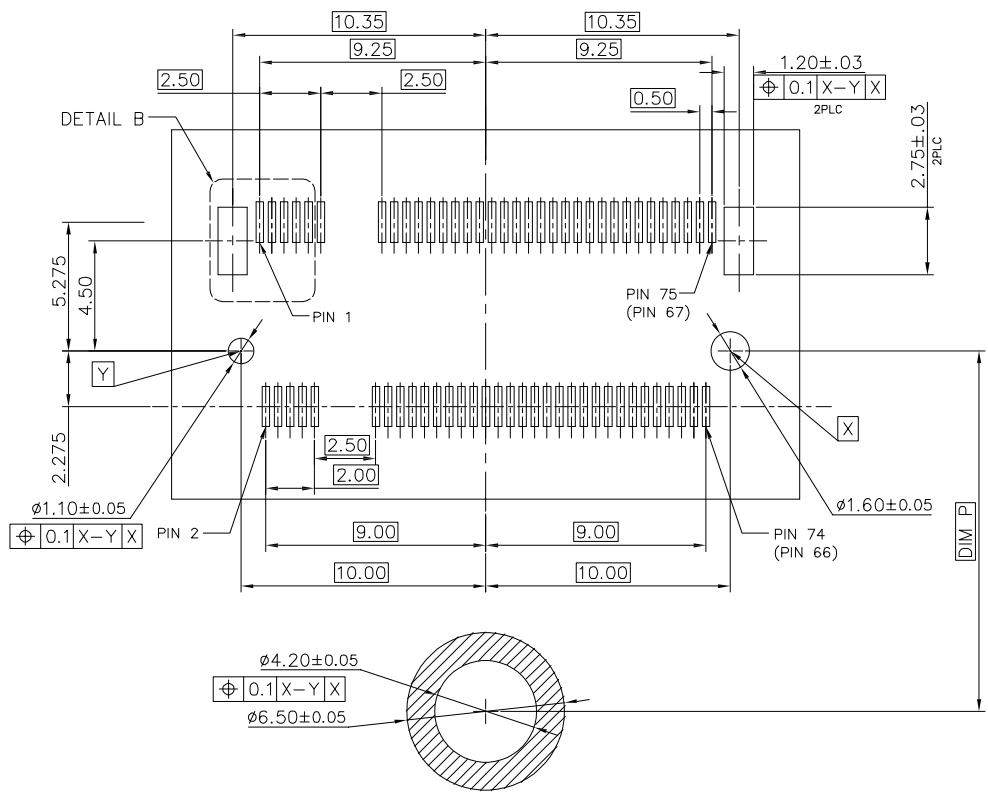
PLUG PCB



BOTTOM SIDE
RECOMMENDED PCB LAYOUT



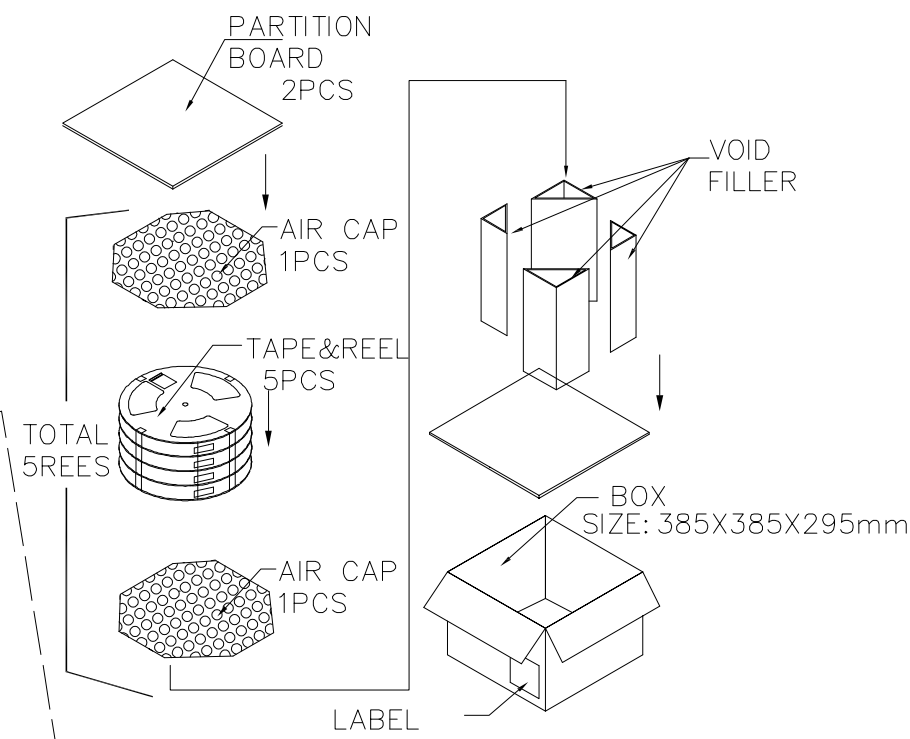
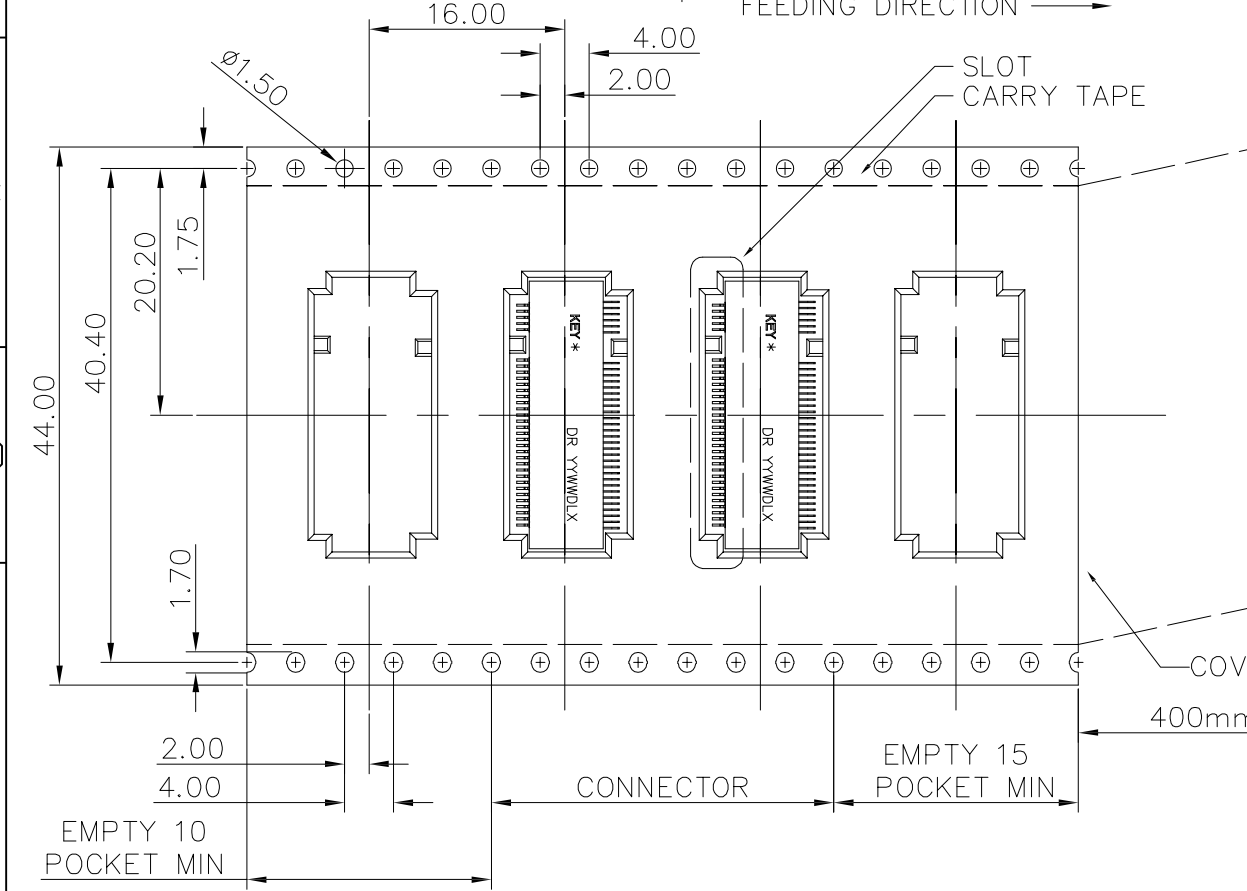
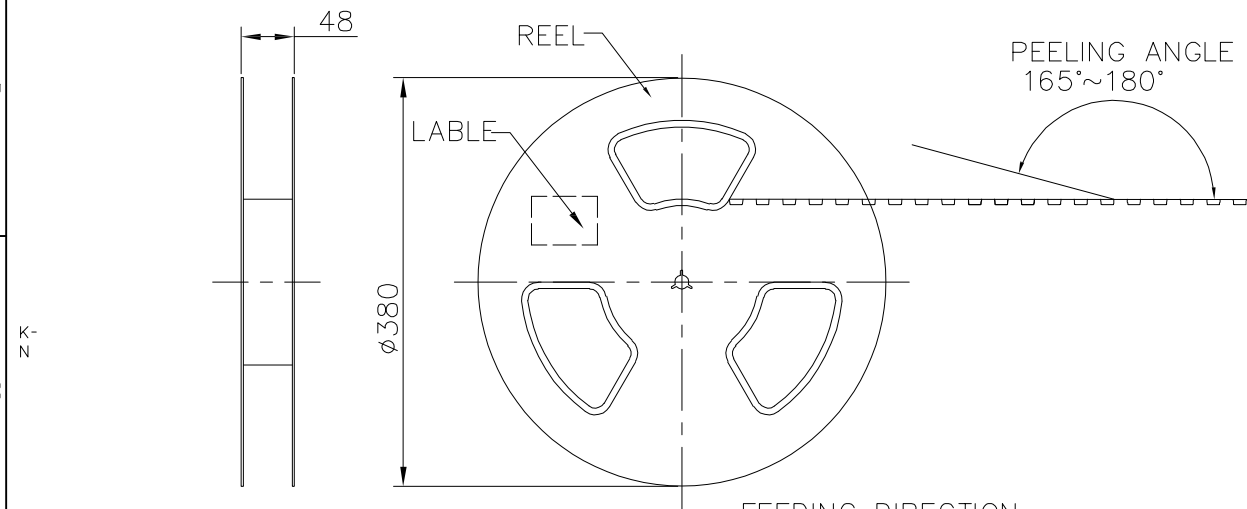
TOP SIDE



DETAIL B
SCALE 2:1

| | |
|-------------|--------|
| 22110 | 108.25 |
| 2280 | 78.25 |
| 2260 | 58.25 |
| 2242 | 40.25 |
| 2230 | 28.25 |
| 3042 | 40.25 |
| 3030 | 28.25 |
| MODULE TYPE | DIM P |

| TOLERANCE | | TITLE: | |
|-----------|----------|-----------------------------------|-----------------|
| LINEAR | ANGLES | NGFF(M.2) 2.0H KEY-B Connector | |
| X.±0.50 | X*.±2.0° | 深圳市东方御业科技有限公司 | |
| .X±0.38 | .X*±1.0° | WWW.DFYCONN.COM TEL:0755-27155560 | |
| .XX±0.25 | .XX*± | CUSTOMER | PART NO.: |
| .XXX±0.15 | .XXX*± | APPD: | DRWN: Rocky |
| | | CHKD: | DATE: 2016-9-29 |
| | | UNITS | SCALE |
| | | MM | 1:1 |
| | | SHEET | 1 OF 2 |
| | | REV | A/0 |



| | | | | |
|----------|-----------|---------|--------------|------------|
| 1500 | 5 | 7500 | X.XXXKg | X.XXXKg |
| PCS/TAPE | REELS/BOX | PCS/BOX | GROSS WEIGHT | NET WEIGHT |

| | | | | | | | |
|-----------|----------|--|---------------------------------------|-----------|-------|--------|-----|
| TOLERANCE | | 深圳市东方御业科技有限公司 WWW.DFYCONN.COM TEL:0755-27155560 | TITLE: NGFF(M.2) 2.0H KEY-B Connector | | | | |
| LINEAR | ANGLES | | CUSTOMER COPY | PART NO.: | | | |
| X.±0.50 | X°.±2.0° | | DWG NO.: EAST-06720-15 | | | | |
| .X±0.38 | .X°±1.0° | APPD: | DRWN: Rocky | UNITS | SCALE | SHEET | REV |
| .XX±0.25 | .XX°± | CHKD: | DATE: 2016-9-29 | MM | 1:1 | 1 OF 2 | A/0 |
| .XXX±0.15 | .XXX°± | | | | | | |