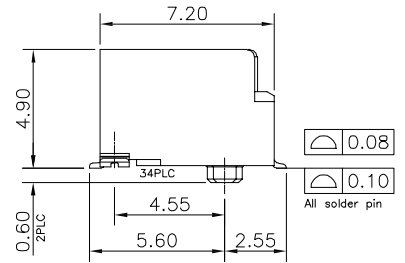
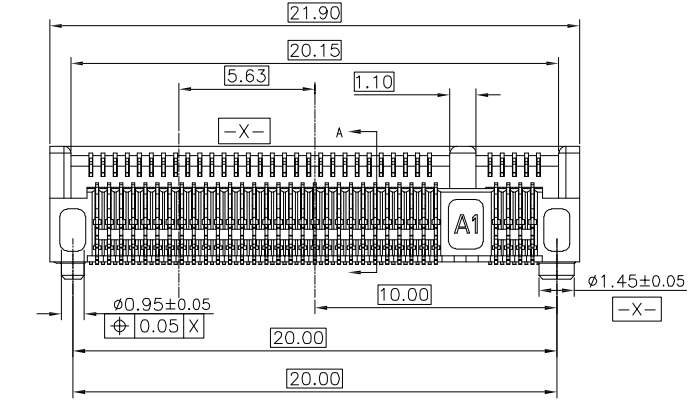


- 1.1 HOUSING:HIGH TEMPERAIURE IHERMOPLASIIIC,UL94V-0,COLOR:BLACK
- 1.2 CONTACT: PHOSPHOR BROZNE.
- 1.3 SOLDER PEG:STAINLESS STEEL.
2. FINISH:
 - 2.1 CONTACT: UNDERPLATING NICKEL 50u" MIN OVERALL, GF PLATING ON SOLDER AREA. CONTACT AREA: SEE TABLE,
 - 2.2 SOLDER PEG: MATTE TIN 100u" MIN. AND NICKEL 50u" MIN UNDER PLATED.
3. DATE CODE: YYW/W***
 - YY: YEAR (09: 2009)
 - WW: WEEK (25: THE 25TH WEEK)
 - *: DAY (1~7: SUNDAY~SATURDAY)
 - *: LINE NUMBER OF ASSEMBLY (A: LINE A)
 - *: D OR N (D: DAY; N: NIGHT)
- 4.CONNECTOR ACTUAL PIN QUANTITY IS 67, AS THE KEY TAKING OUT 8 PINS.



CHNEAST INFORMATION:

EAST-067 48 X 25 K1 B R

No. of Pins

Plating:

- A-Flash.Gold (0.8u" Min)
- B-Gold 3u" Au
- C-Gold 5u" Au
- D-Gold 10u" Au
- E-Gold 15u" Au
- G-Gold 30u" Au

Enviroment Protection:

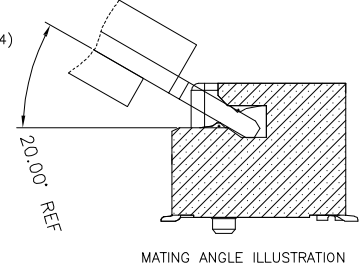
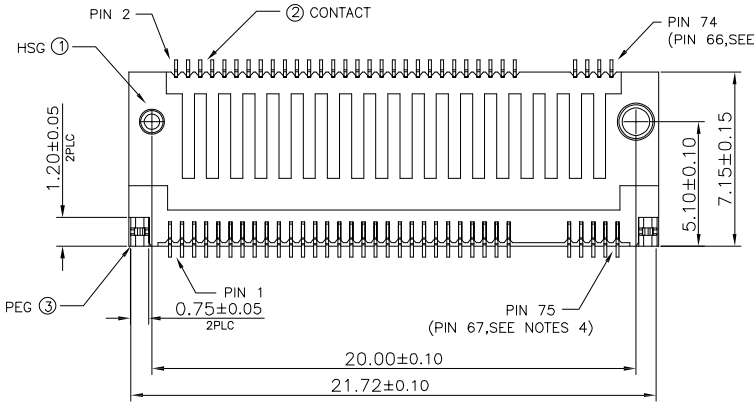
R for RoHS

Packing:

B-Tape&Reel

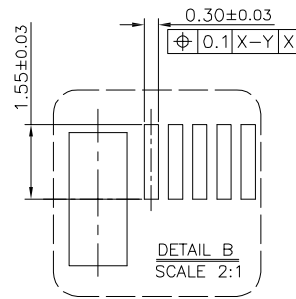
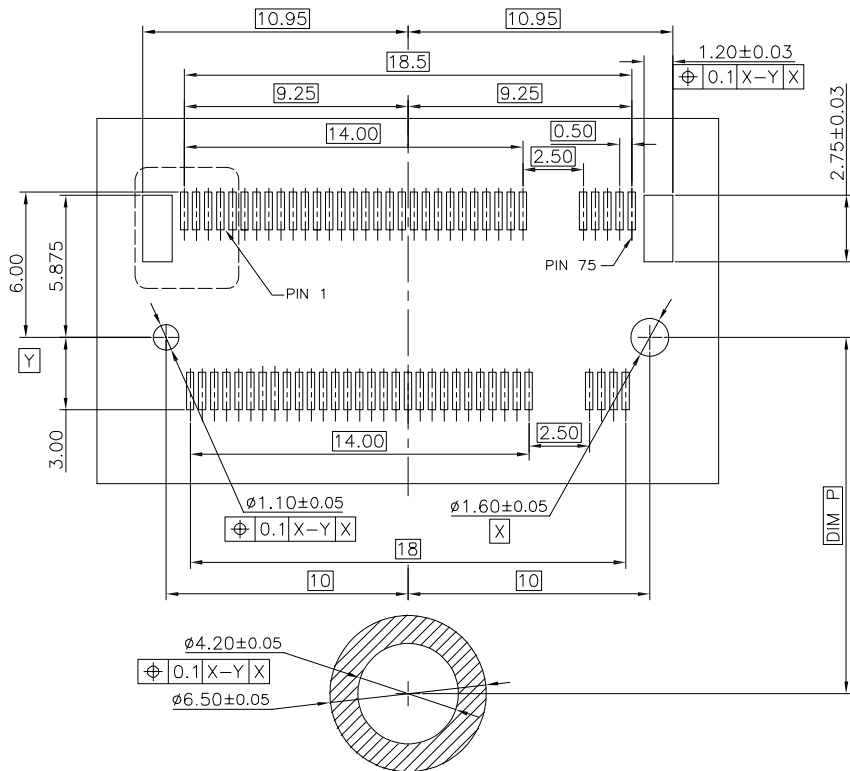
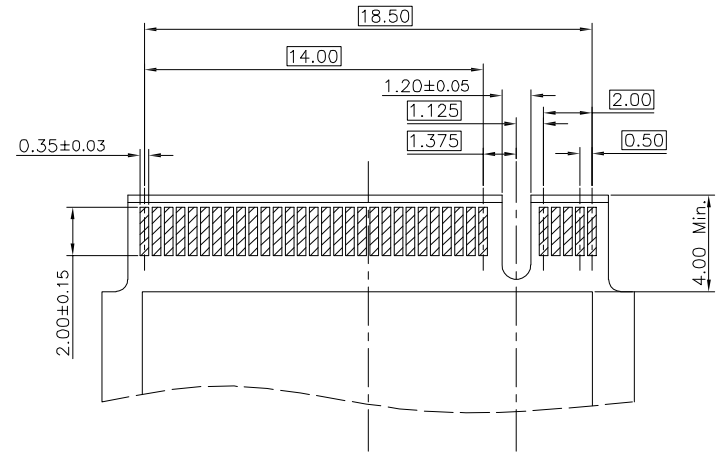
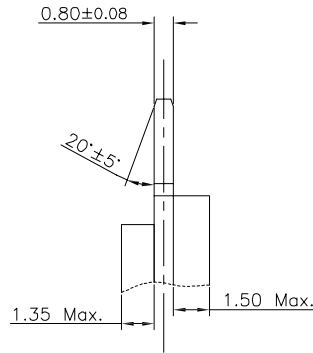
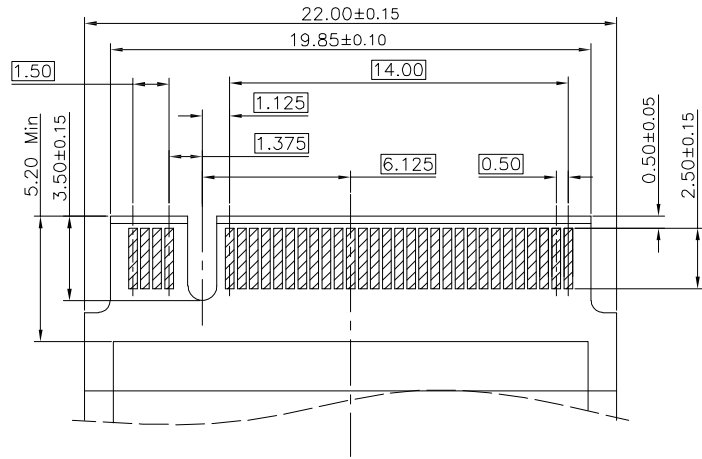
HSG Color:

K1:Black



TOLERANCE		TITLE: NGFF(M.2) 4.8H KEY-M Connector
LINEAR	ANGLES	
X.±0.50	X*.±2.0°	深圳市东方御业科技有限公司 WWW.DFYCONN.COM TEL:0755-27155560
.X±0.38	.X*±1.0°	
.XX±0.25	.XX*±	APPD:
.XXX±0.15	.XXX*±	CHKD:
		DRWN: Rocky
		DATE: 2016-9-29
		CUSTOMER COPY
		PART NO.: EAST-06748X25K1BR
		DWG NO.: EAST-06740-25
UNITS	SCALE	SHEET
MM	1:1	1 OF 2
REV	A/0	

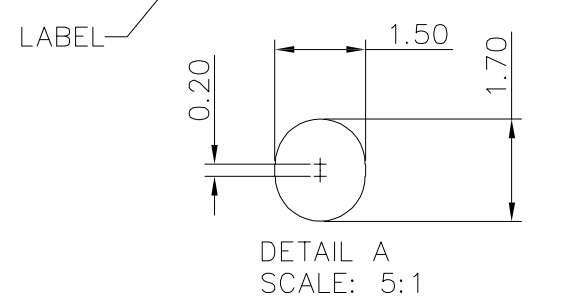
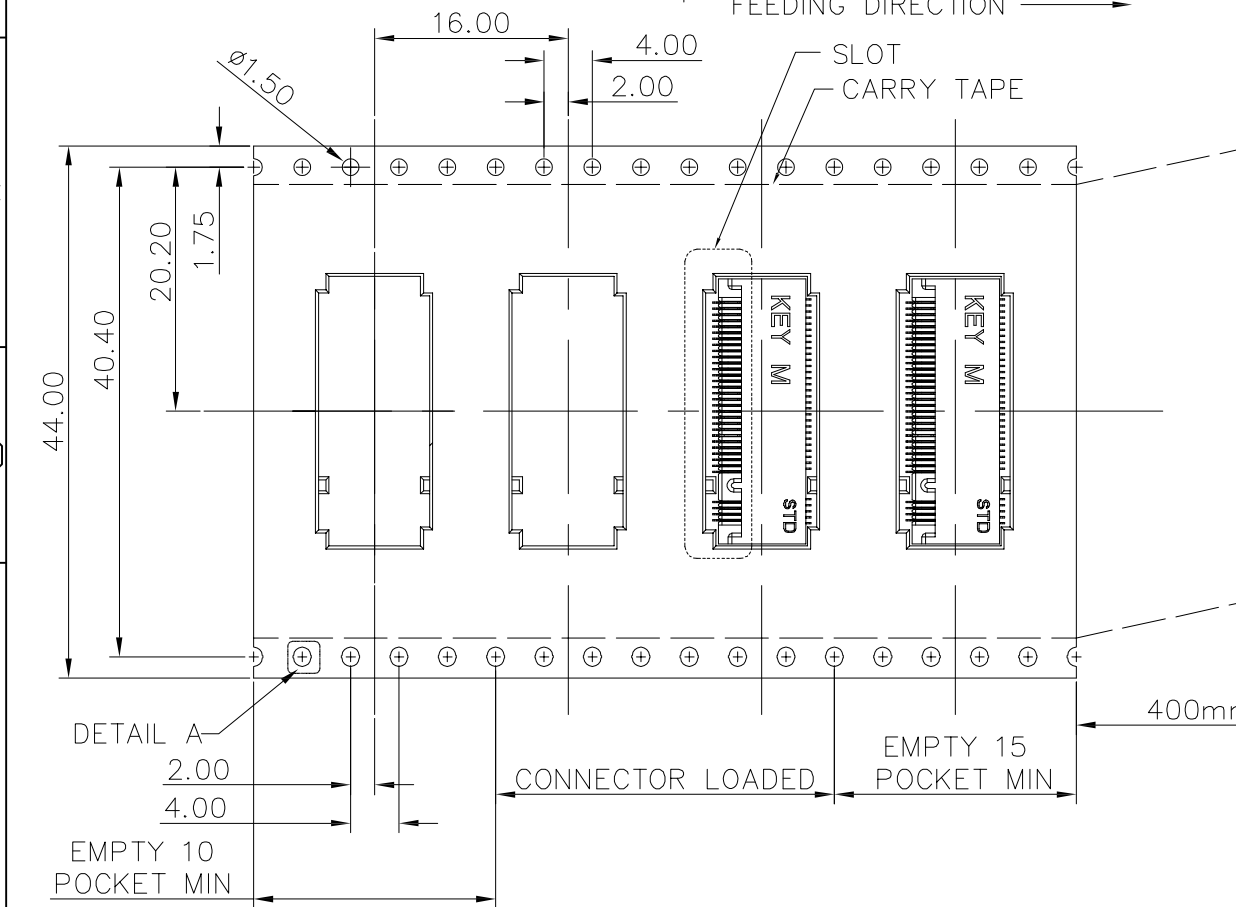
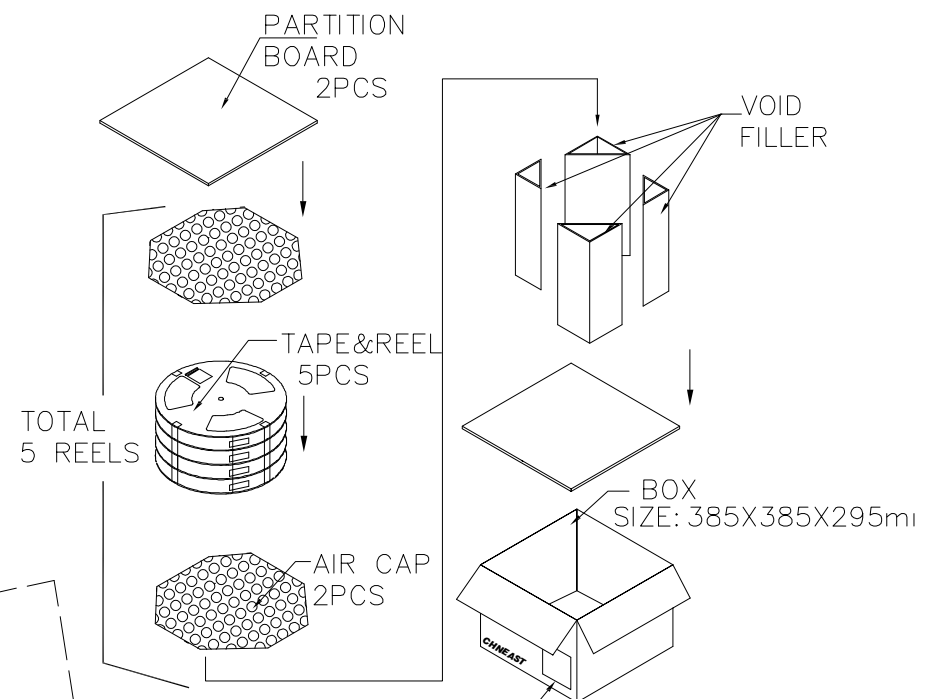
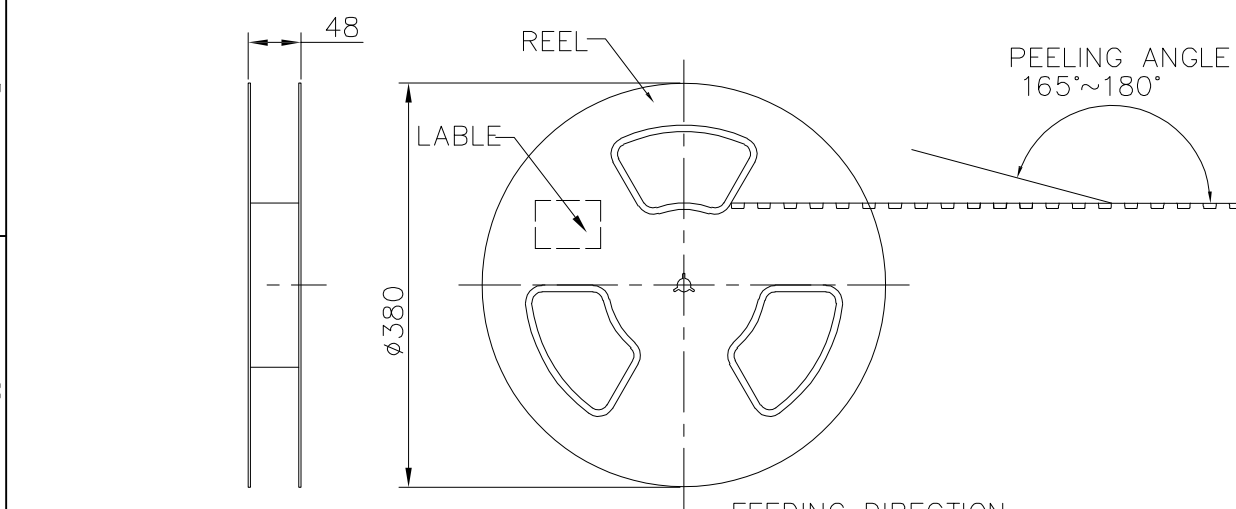
PLUG PCB



2210	108.25
2280	78.25
2260	58.25
2242	40.25
2230	28.25
3042	40.25
3030	28.25
MODULE TYPE	DIM P

TOLERANCE		TITLE:	
LINEAR	ANGLES	NGFF(M.2) 4.8H KEY-M Connector	
X.±0.50	X*.±2.0°	深圳市东方御业科技有限公司	
.X ±0.38	.X*±1.0°	WWW.DFYCONN.COM TEL:0755-27155560	
.XX ±0.25	.XX*±	APPD:	DRWN: Rocky
.XXX ±0.15	.XXX*±	CHKD:	DATE: 2016-9-29
		CUSTOMER COPY	
		PART NO.: EAST-06748X25K1BR	
		DWG NO.: EAST-06740-25	
UNITS	SCALE	SHEET	REV
MM	1:1	1 OF 2	A/0

REV	LTR	DESCRIPTION	DATE	DWN
-----	-----	-------------	------	-----



900	5	4500	X.XXKg	X.XXKg
PCS/REEL	REELS/BOX	PCS/BOX	GROSS WEIGHT	NET WEIGHT

TOLERANCE	
LINEAR	ANGLES
X.±0.50	X°.±2.0°
.X±0.38	.X°.±1.0°
.XX±0.25	.XX°.±
.XXX±0.15	.XXX°.±

深圳市东方御业科技有限公司 WWW.DFYCONN.COM TEL:0755-27155560		TITLE: NGFF(M.2) 4.8H KEY-M Connector	
APPD: CHKD:		DRWN: Rocky DATE: 2016-9-29	
CUSTOMER COPY		PART NO.: EAST-06748X25K1BR DWG NO.: EAST-06740-25	
UNITS	SCALE	SHEET	REV
MM	1:1	1 OF 2	A/0