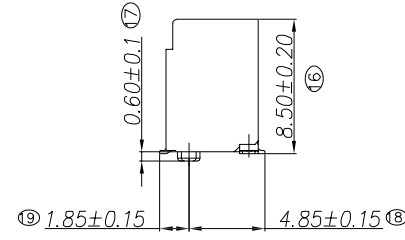
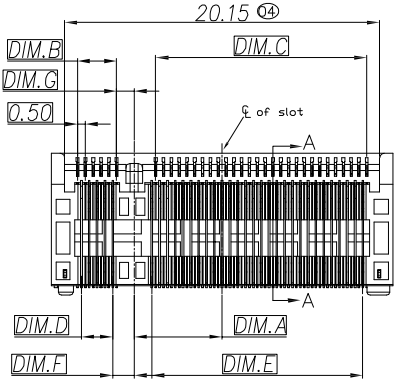
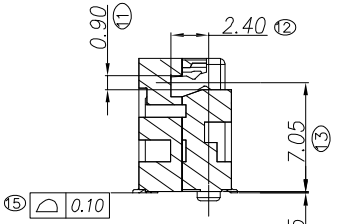
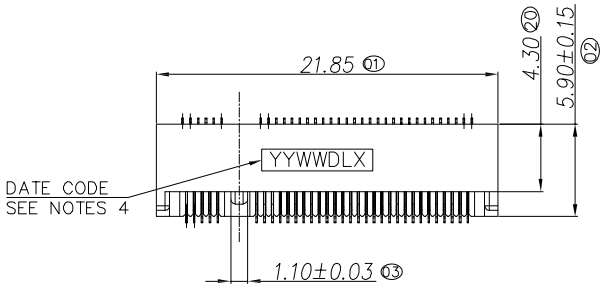
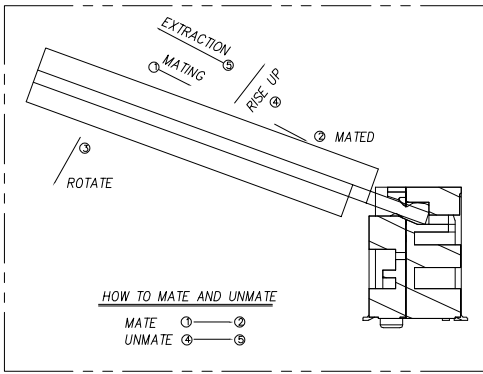
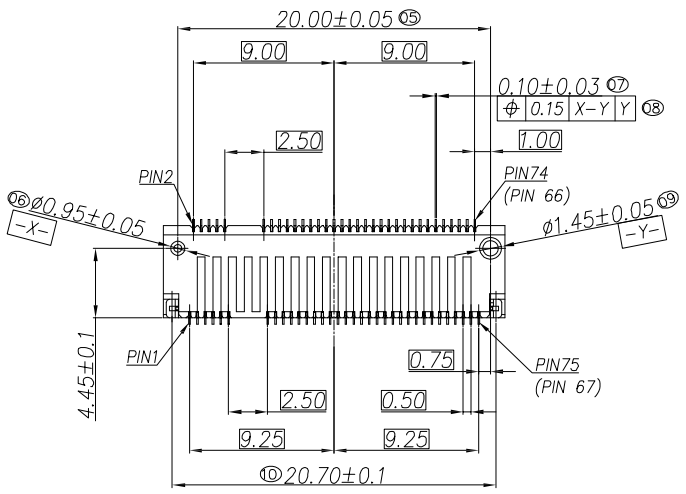


REV	LTR	DESCRIPTION	DATE	DWN
-----	-----	-------------	------	-----



NOTES:  
 1.MATERIAL:  
 1.1.HOUSING: HIGH TEMPERATURE THERMOPLASTIC,UL94V-0,COLOR:BLACK  
 1.2.CONTACTS: COPPER ALLOY;  
 1.3.PEG: STAINLESS STEEL.  
 2.REFLOW SOLDER CAPABLE TO 260°C.  
 3.FINISH:  
 CONTACT: GOLD(SEE TABLE) PLATED ON CONTACT AREA AND GOLD FLASH SOLDER AREA. 50u" MIN NICKEL UNDERPLATING OVERALL.  
 PEG: 80u" MIN.MATTE-TIN PLATED ON SOLDERING AREA.  
 50u" MIN. NICKEL UNDERPLATING.  
 4. DATE CODE : YYWWDLX  
 YY: YEAR (09: 2009)  
 WW: WEEK (25: THE 25TH WEEK)  
 D: DAY (1~7: SUNDAY~SATURDAY)  
 L: LINE NUMBER OF ASSEMBLY (A: LINE A)  
 X: D OR N (D: DAY; N: NIGHT)  
 5.CONNECTOR ACTUAL PIN QUANTITY IS 67,AS THE KEY TAKING OUT 8 PINS.  
 6.PART NUMBER DESCRIPTION:



\*CHNEAST INFORMATION:\*  
 EAST-067 85 X 15 K1 B R

No. of Pins

Plating:

- A-Flash Gold (0.8u" Min)
- B-Gold 3u" Au
- C-Gold 5u" Au
- D-Gold 10u" Au
- E-Gold 15u" Au
- G-Gold 30u" Au

Environment Protection:  
 R For RoHS  
 G For GP  
 H For Halogen-free

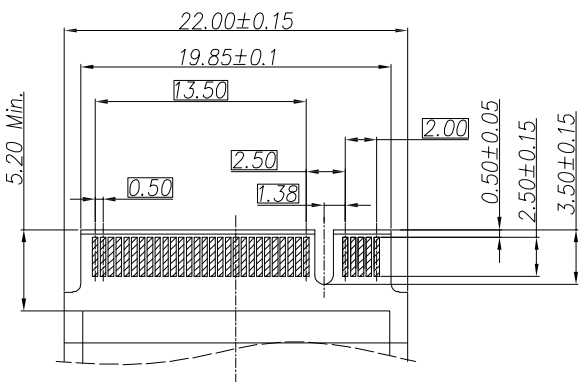
Packing:  
 A-Tube, B-Reel, C-Tray,

HSG Color:  
 K1/Black, L1/White

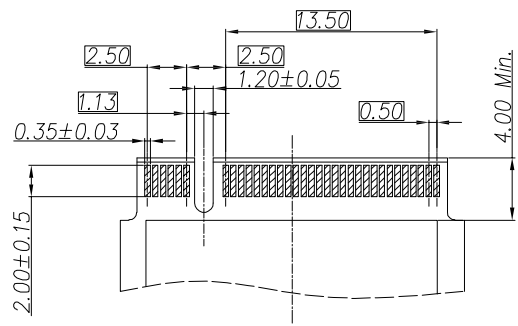
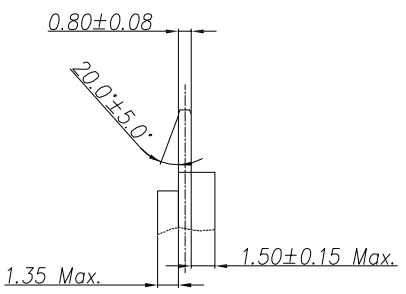
TOLERANCE		深圳市东方御业科技有限公司 WWW.DFYCONN.COM Tel:0755-27155560	TITLE: NGFF 8.5H B.KEY Conn. Assembly Packing Drawing			
LINEAR	ANGLES		CUSTOMER COPY	PART NO.: EAST-06785A15K1BR		
X.±0.50	X°.±2.0°		DWG NO.:			
.X±0.38	.X°.±1.0°		UNITS	SCALE	SHEET	REV
.XX±0.25	.XX°±		MM	1:1	1 OF 2	A/0
XXX±0.10	.XXX°±	APPD:	DRWN: Rocky	DATE: 2016-3-1		
		CHKD:				

REV	LTR	DESCRIPTION	DATE	DWN
-----	-----	-------------	------	-----

PLUG PCB

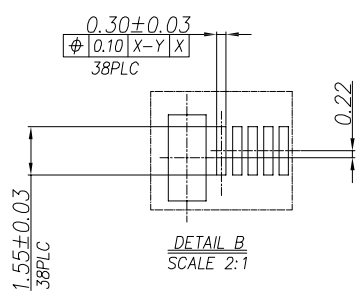
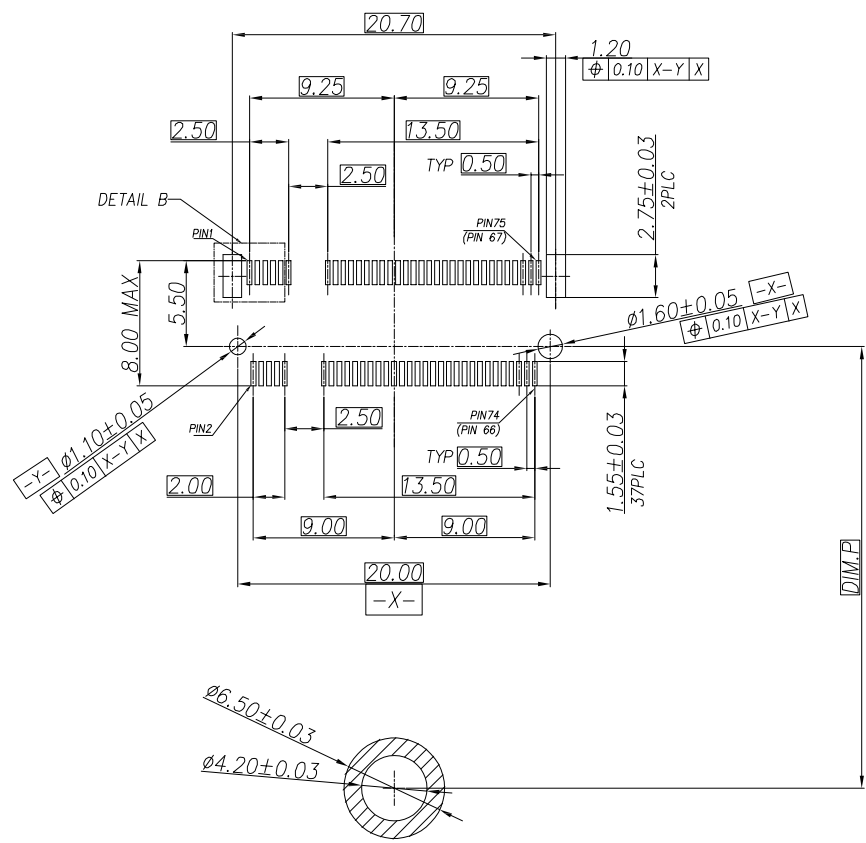


BOTTOM SIDE



TOP SIDE

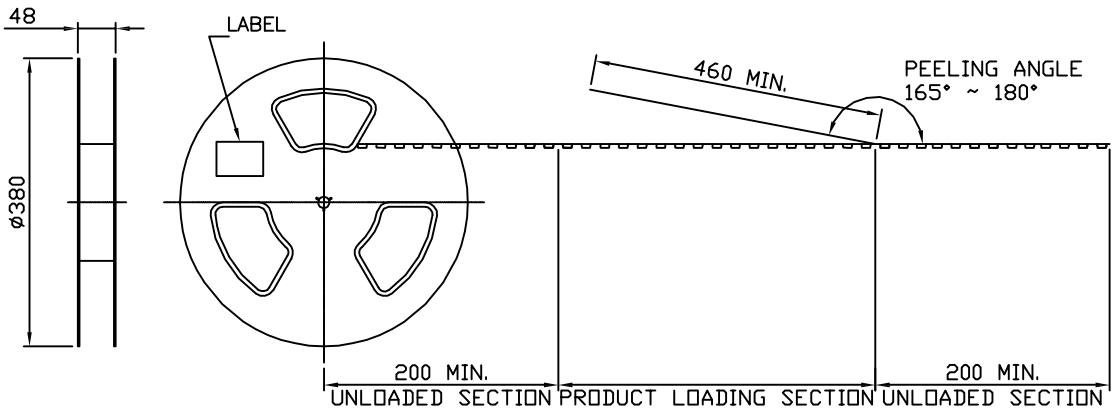
RECOMMENDED PCB LAYOUT



2210	107.60
2280	77.60
2260	57.60
2242	39.60
2230	27.60
3042	39.60
3030	27.60
MODULE TYPE	DIM.P

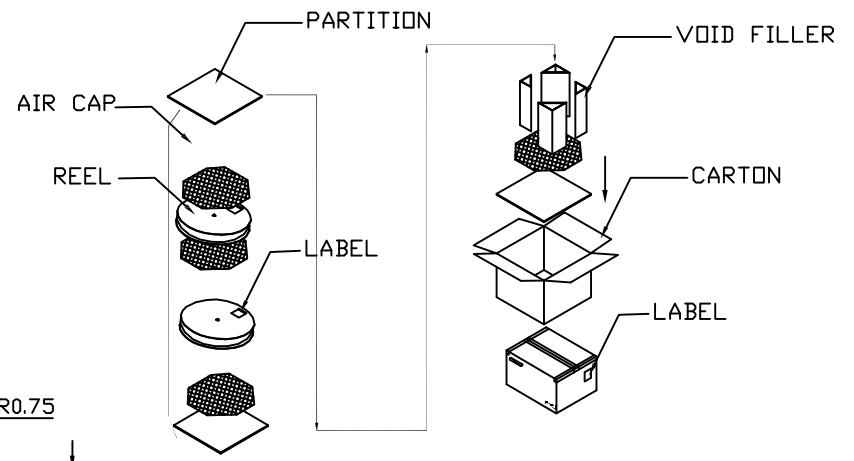
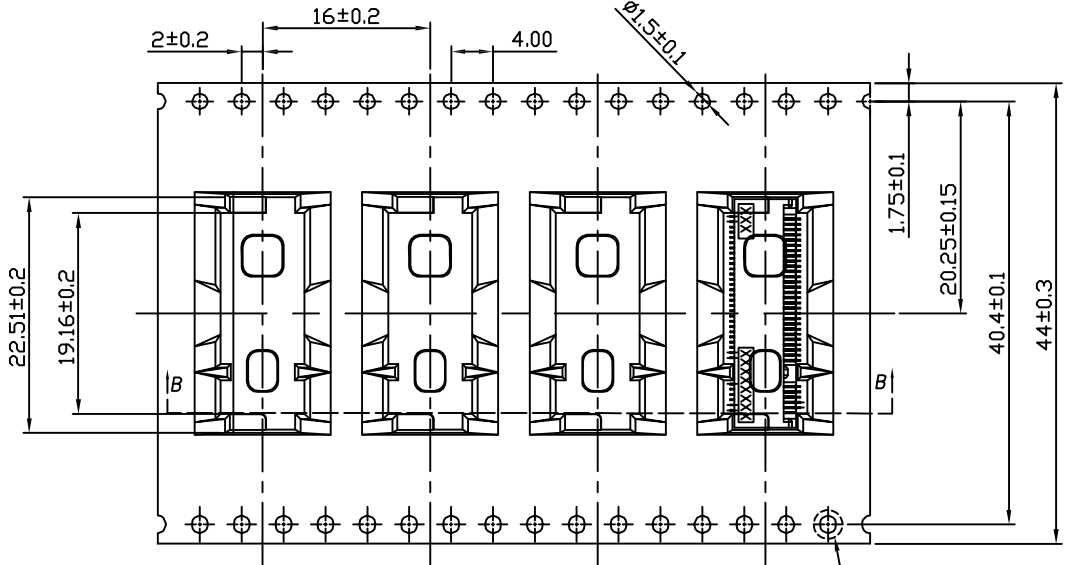
TOLERANCE		深圳市东方御业科技有限公司 WWW.DFYCONN.COM Tel:0755-27155560	TITLE: NGFF 8.5H BKEY Conn. Assembly Packing Drawing			
LINEAR	ANGLES		CUSTOMER COPY	PART NO.:	SCALE	SHEET
X.±0.50	X°.±2.0°		DRWN: Rocky	EAST-06785A15K1BR	1:1	1 OF 2
.X±0.38	.X°.±1.0°		DATE: 2016-3-1	DWG NO.:	MM	A/0
.XX±0.25	.XX°.±		APPD:	UNITS	MM	
.XXX±0.10	.XXX°.±	CHKD:	SCALE	1:1		

EMBOSS WIDTH 44mm,SLOT FORWARD

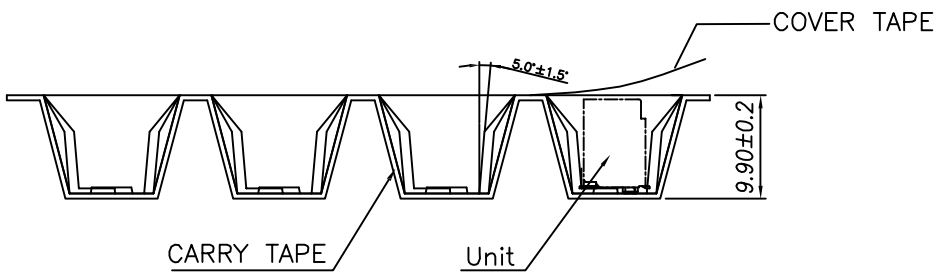


NOTES :

- MATERIAL :  
COVER TAPE : ANTISTATIC P.S T=0.05±0.01 ,COLOR:CLEAR  
CARRIER TAPE : ANTISTATIC P.S T=0.40±0.10,COLOR:BLACK  
REEL : PS UL94V-0  
CARTON: CORRUGATED FIBER
- DIMENSION :  
REEL : SEE DRAWING  
SHIPPING BOX: 385X385X295mm
- QUANTITY : SEE TABLE
- PEELING RESISTANCE : 10gf~130gf (for 12~56mm)
- PEELING SPEED : 300mm/MINUTES



500	5	2500
PCS/ REEL	REEL/ CARTON	PCS/ CARTON



TOLERANCE	
LINEAR	ANGLES
X.±0.50	X°.±2.0°
.X ±0.38	.X°±1.0°
.XX ±0.25	.XX°±
.XXX ±0.10	.XXX°±

深圳市东方御业科技有限公司  
WWW.DFYCONN.COM Tel:0755-27155560

APPD: DRWN: Rocky  
CHKD: DATE: 2016-3-1

TITLE: NGFF 8.5H Conn. Assembly Packing Drawing			
CUSTOMER COPY	PART NO.:	DWG NO.:	
UNITS	SCALE	SHEET	REV
MM	1:1	1 OF 2	A/0