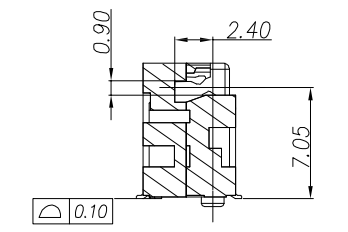
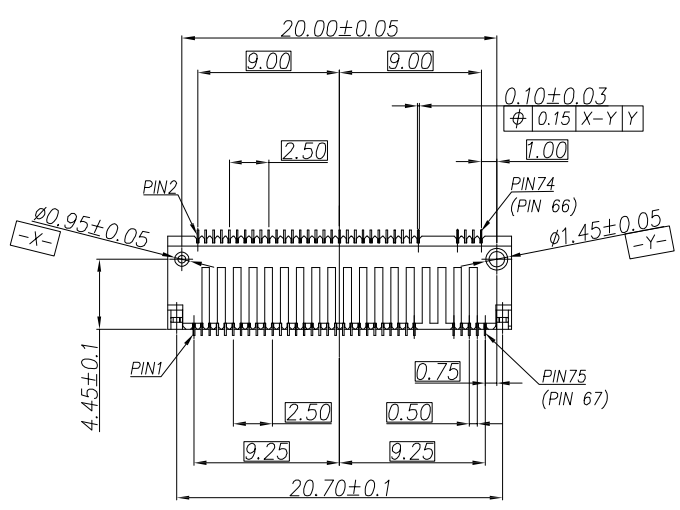
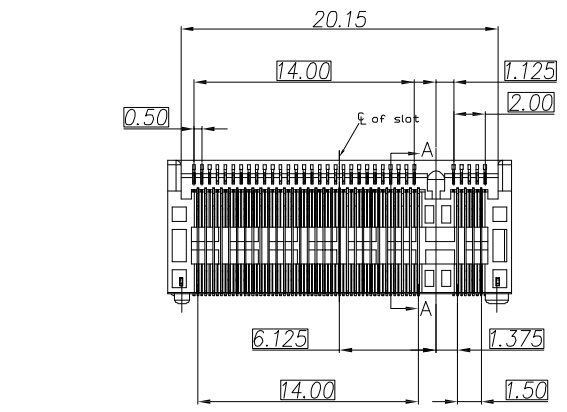
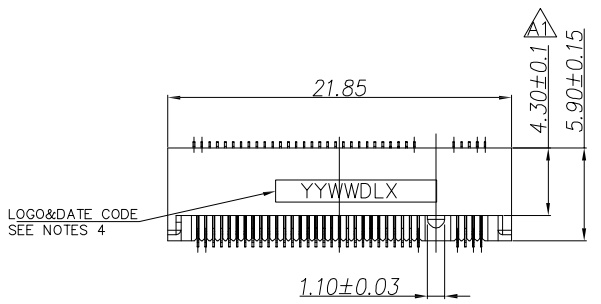
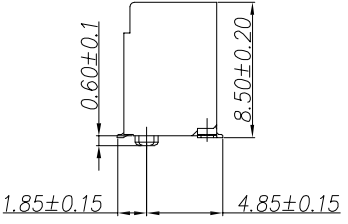


REV	LTR	DESCRIPTION	DATE	DWN
-----	-----	-------------	------	-----



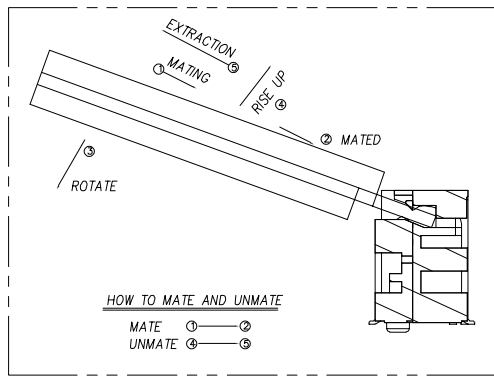
SECTION A-A



NOTES:
 1.MATERIAL:
 1.1.HOUSING: HIGH TEMPERATURE THERMOPLASTIC,UL94V-0,COLOR:BLACK
 1.2.CONTACTS: COPPER ALLOY;
 1.3.PEG: STAINLESS STEEL.
 2.REFLOW SOLDER CAPABLE TO 260°C.
 3.FINISH:
 CONTACT: GOLD(SEE TABLE) PLATED ON CONTACT AREA AND GOLD FLASH SOLDER AREA. 50u" MIN NICKEL UNDERPLATING OVERALL.
 PEG: 80u" MIN.MATTE-TIN PLATED ON SOLDERING AREA.
 50u" MIN. NICKEL UNDERPLATING.
 4. DATE CODE : YYWDLX
 YY: YEAR (09: 2009)
 WW: WEEK (25: THE 25TH WEEK)
 D: DAY (1~7: SUNDAY~SATURDAY)
 L: LINE NUMBER OF ASSEMBLY (A: LINE A)
 X: D OR N (D: DAY; N: NIGHT)
 5.CONNECTOR ACTUAL PIN QUANTITY IS 67,AS THE KEY TAKING OUT 8 PINS.
 6.PART NUMBER DESCRIPTION:

CHNEAST INFORMATION:\br/>
 EAST-067 85 X 25 K1 B R

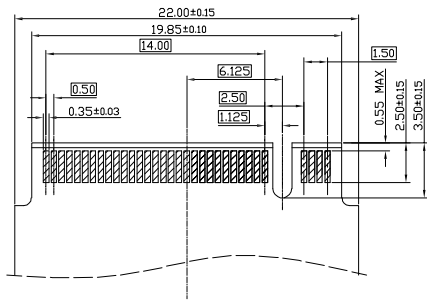
No. of Pins
 Plating:
 A-Flash.Gold (0.8u" Min)
 B-Gold 3u" Au
 C-Gold 5u" Au
 D-Gold 10u" Au
 E-Gold 15u" Au
 G-Gold 30u" Au
 Environment Protection:
 R For RoHS
 G For GP
 H For Halogen-free
 Packing:
 A-Tube, B-Reel, C-Troy,
 HSG Color:
 K1:Black, L1:White



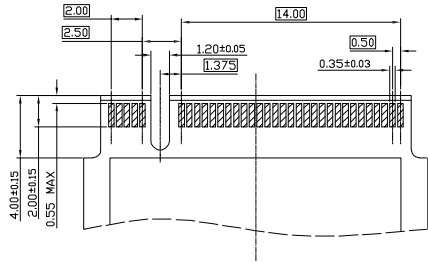
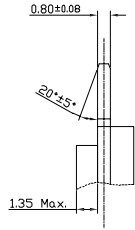
TOLERANCE		深圳市东方御业科技有限公司 WWW.DFYCONN.COM Tel:0755-27155560	TITLE: NGFF 8.5H MKEY Conn. Assembly Packing Drawing			
LINEAR	ANGLES		CUSTOMER COPY	PART NO.: EAST-06785A25K1BR		
X.±0.50	X°.±2.0°			DWG NO.: EAST-06785-25		
.X±0.38	.X°.±1.0°		UNITS	SCALE	SHEET	REV
.XX±0.25	.XX°±		MM	1:1	1 OF 2	A/0
.XXX±0.10	.XXX°±	APPD:	DRWN: Rocky	DATE: 2016-3-1		
		CHKD:				

REV	LTR	DESCRIPTION	DATE	DWN
-----	-----	-------------	------	-----

PLUG PCB

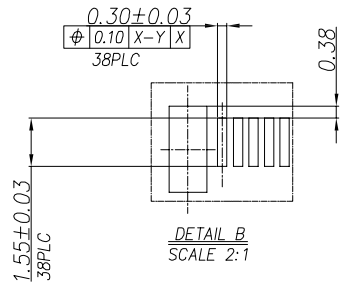
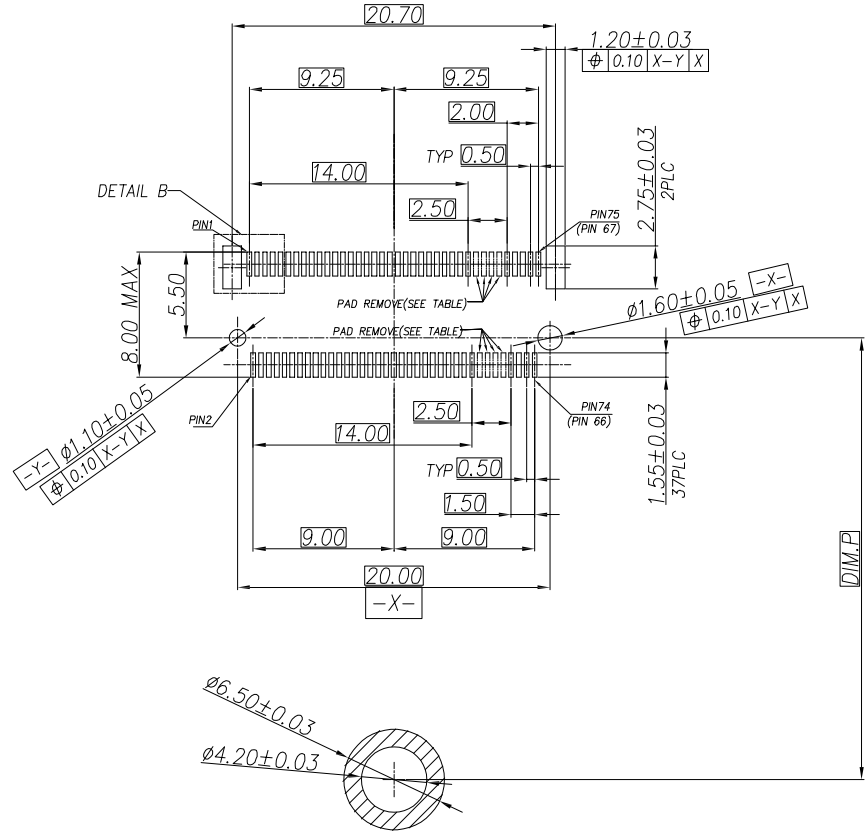


BOTTOM SIDE



TOP SIDE

RECOMMENDED PCB LAYOUT



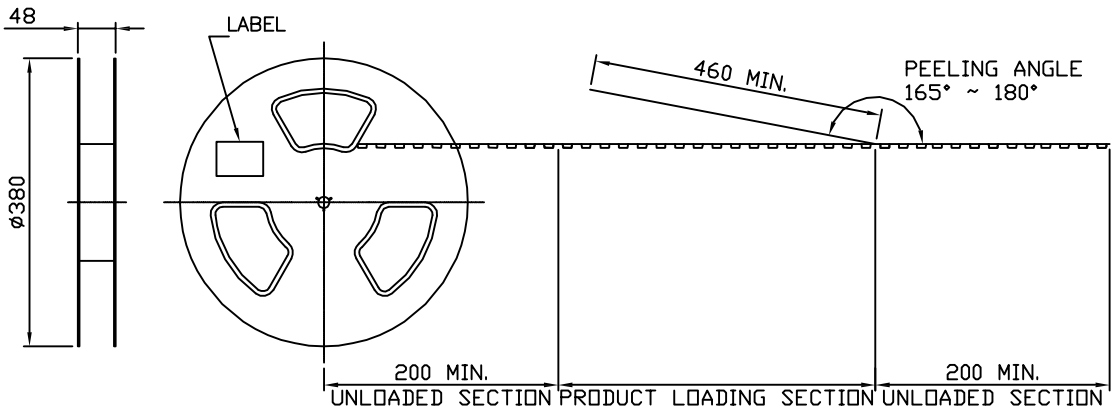
2210	107.60
2280	77.60
2260	57.60
2242	39.60
2230	27.60
3042	39.60
3030	27.60
MODULE TYPE	DIM.P

TOLERANCE	
LINEAR	ANGLES
X.±0.50	X°.±2.0°
.X±0.38	.X°.±1.0°
.XX±0.25	.XX*±
.XXX±0.10	.XXX*±

深圳市东方御业科技有限公司
 WWW.DFYCONN.COM Tel:0755-27155560
 APPD: DRWN: Rocky
 CHKD: DATE: 2016-3-1

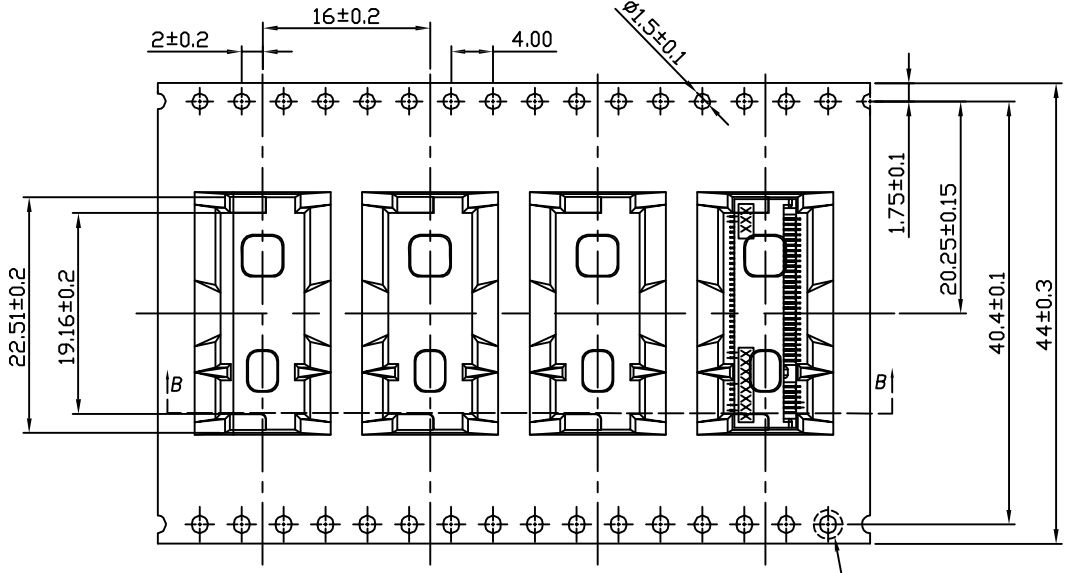
TITLE: NGFF 8.5H MKEY Conn. Assembly Packing Drawing			
CUSTOMER COPY	PART NO: EAST-06785A25K1BR	UNITS	SCALE
DWG NO: EAST-06785-25	MM	1:1	1 OF 2
REV	A/0	SHEET	2

EMBOSS WIDTH 44mm, SLOT FORWARD

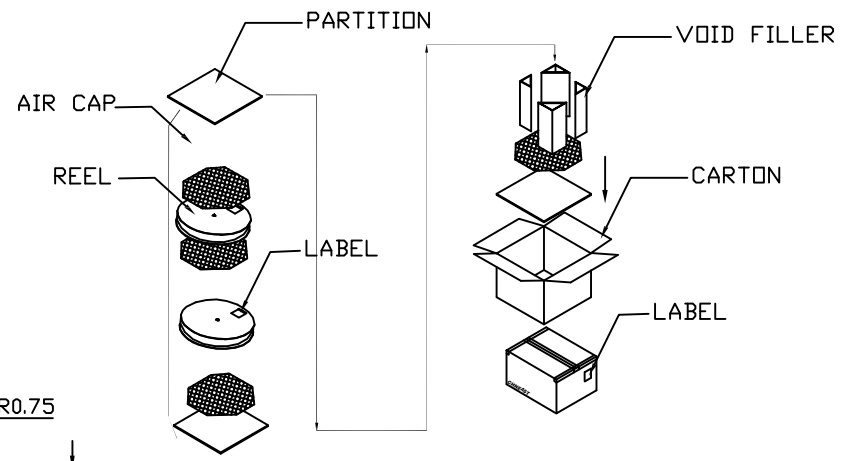
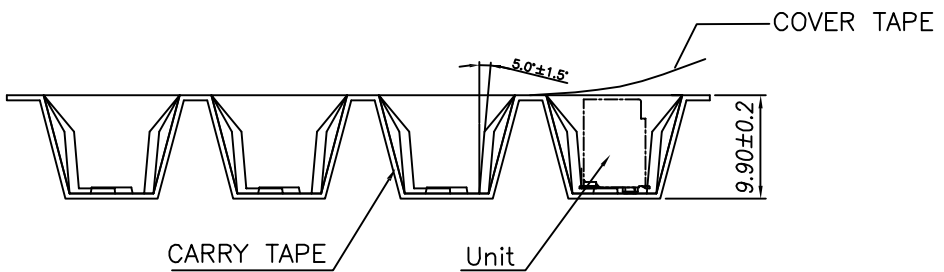
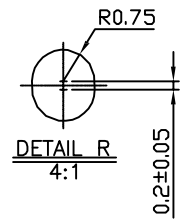


NOTES :

- MATERIAL :
COVER TAPE : ANTISTATIC P.S T=0.05±0.01 ,COLOR:CLEAR
CARRIER TAPE : ANTISTATIC P.S T=0.40±0.10,COLOR:BLACK
REEL : PS UL94V-0
CARTON: CORRUGATED FIBER
- DIMENSION :
REEL : SEE DRAWING
SHIPPING BOX: 385X385X295mm
- QUANTITY : SEE TABLE
- PEELING RESISTANCE : 10gf~130gf (for 12~56mm)
- PEELING SPEED : 300mm/MINUTES



DETAIL R



500	5	2500
PCS/ REEL	REEL/ CARTON	PCS/ CARTON

TOLERANCE		深圳市东方御业科技有限公司 WWW.DFYCONN.COM Tel:0755-27155560	TITLE: NGFF 8.5H Conn. Assembly Packing Drawing					
LINEAR	ANGLES		CUSTOMER COPY	PART NO.:				
X.±0.50	X°.±2.0°		APPD:	DRWN: Rocky	UNITS	SCALE	SHEET	REV
.X ±0.38	.X°±1.0°		CHKD:	DATE: 2016-3-1	MM	1:1	1 OF 2	A/0
.XX ±0.25	.XX°±							
.XXX ±0.10	.XXX°±							