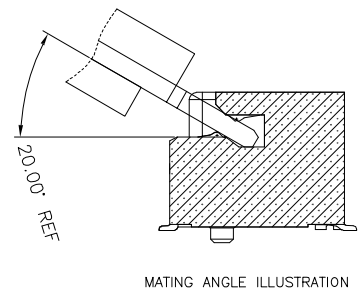
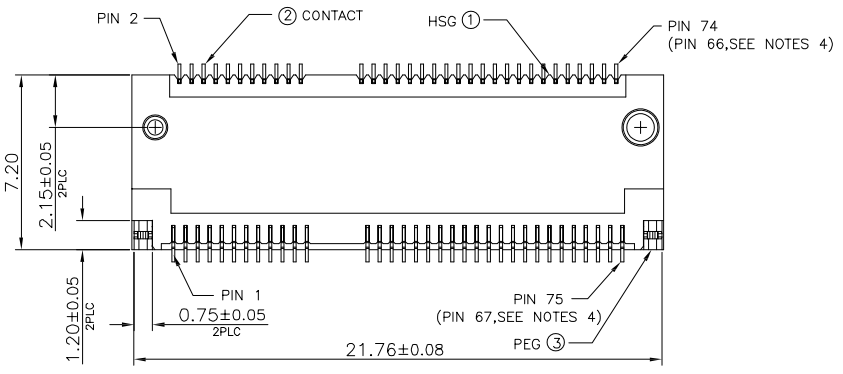
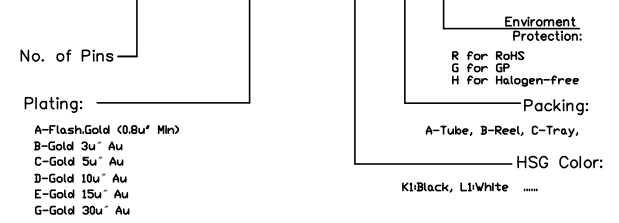


NOTES:

- MATERIAL:
  - HOUSING:HIGH TEMPERATURE THERMOPLASTIC,UL94V-0,COLOR:BLACK
  - CONTACT:COPPER ALLOY.
  - SOLDER PEG:STAINLESS STEEL.
- FINISH:
  - CONTACT: UNDERCOAT NICKEL 50u" MIN ALL OVER.  
Au GF PLATING ON SOLDER TAIL. CONTACT AREA: SEE TABLE,
  - SOLDER PEG:MATTE TIN 80u" MIN. AND NICKEL 50u" MIN UNDERPLATED.
- DATE CODE : YYWWDLX  
 YY: YEAR (09: 2009)  
 WW: WEEK (25: THE 25TH WEEK)  
 D: DAY (1~7: SUNDAY~SATURDAY)  
 L: LINE NUMBER OF ASSEMBLY (A: LINE A)  
 X: D OR N (D: DAY; N: NIGHT)
- CONNECTOR ACTUAL PIN QUANTITY IS 67, AS THE KEY TAKING OUT 8 PINS.

※CHNEAST INFORMATION※

EAST-067 55 X 18 K1 B R

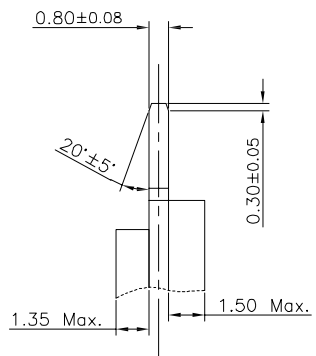
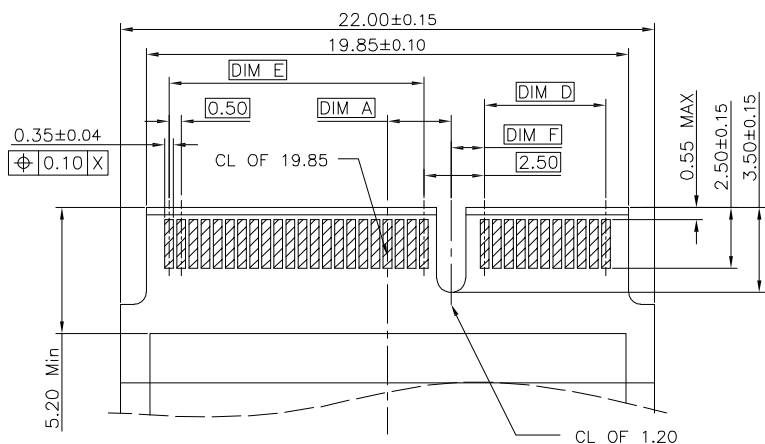


TOLERANCE		TITLE:	
LINEAR	ANGLES	NGFF Connector 5.5H	
X.±0.50	X°.±2.0°	PART NO.:	
.X±0.38	.X°±1.0°	DWG NO.: EAST-06755X18K1BR	
.XX±0.25	.XX°±	APPD:	DRWN: Rocky
.XXX±0.15	.XXX°±	CHKD:	DATE: 2016-9-29
		UNITS	SCALE
		MM	1:1
		SHEET	1 OF 3
		REV	A/0

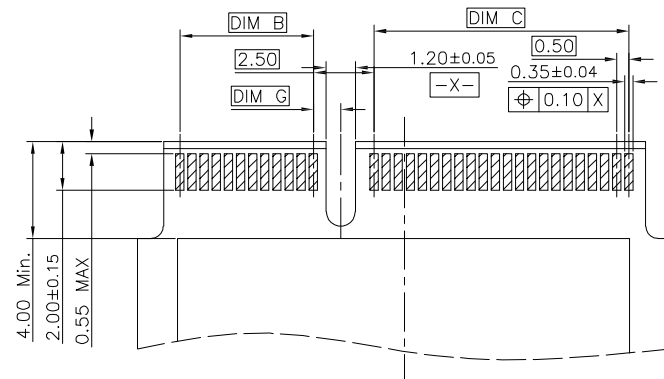
深圳市东方御业科技有限公司  
WWW.DFYCONN.COM TEL:0755-27155560

PLUG PCB

REV	LTR	DESCRIPTION	DATE	DWN
-----	-----	-------------	------	-----



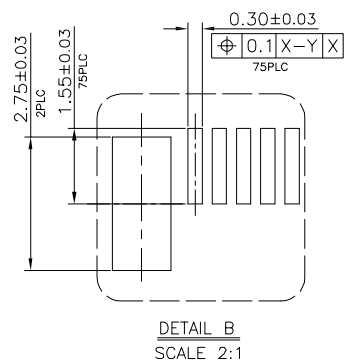
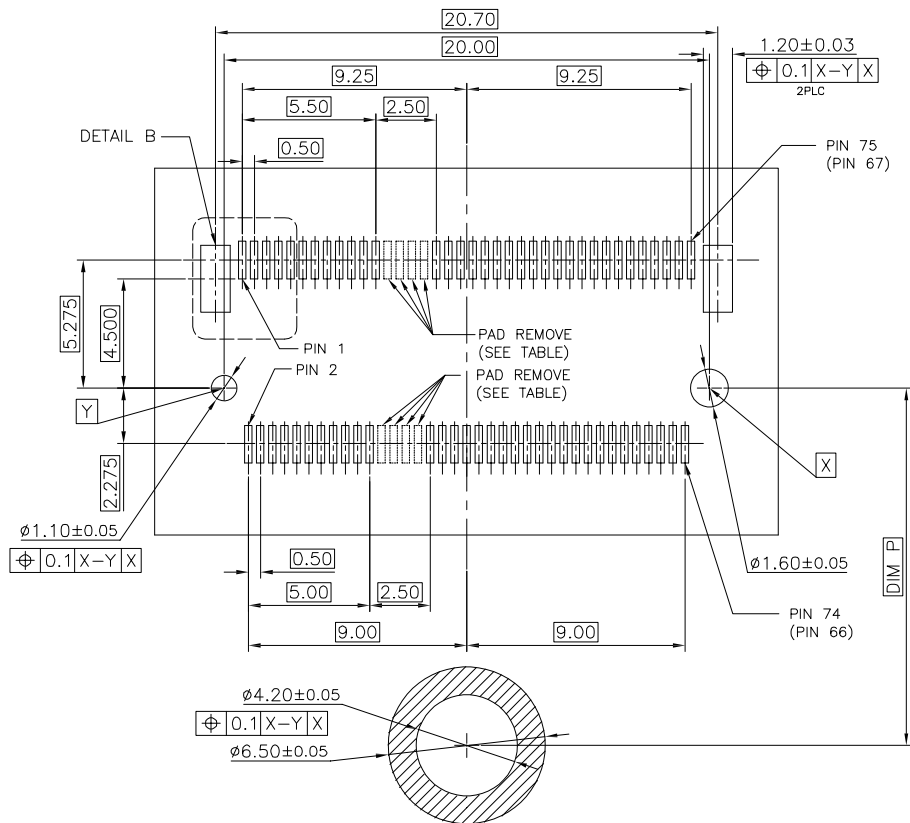
SEE SHEET 1/4



BOTTOM SIDE

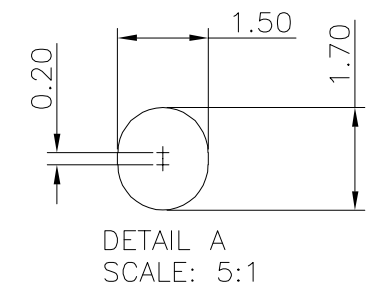
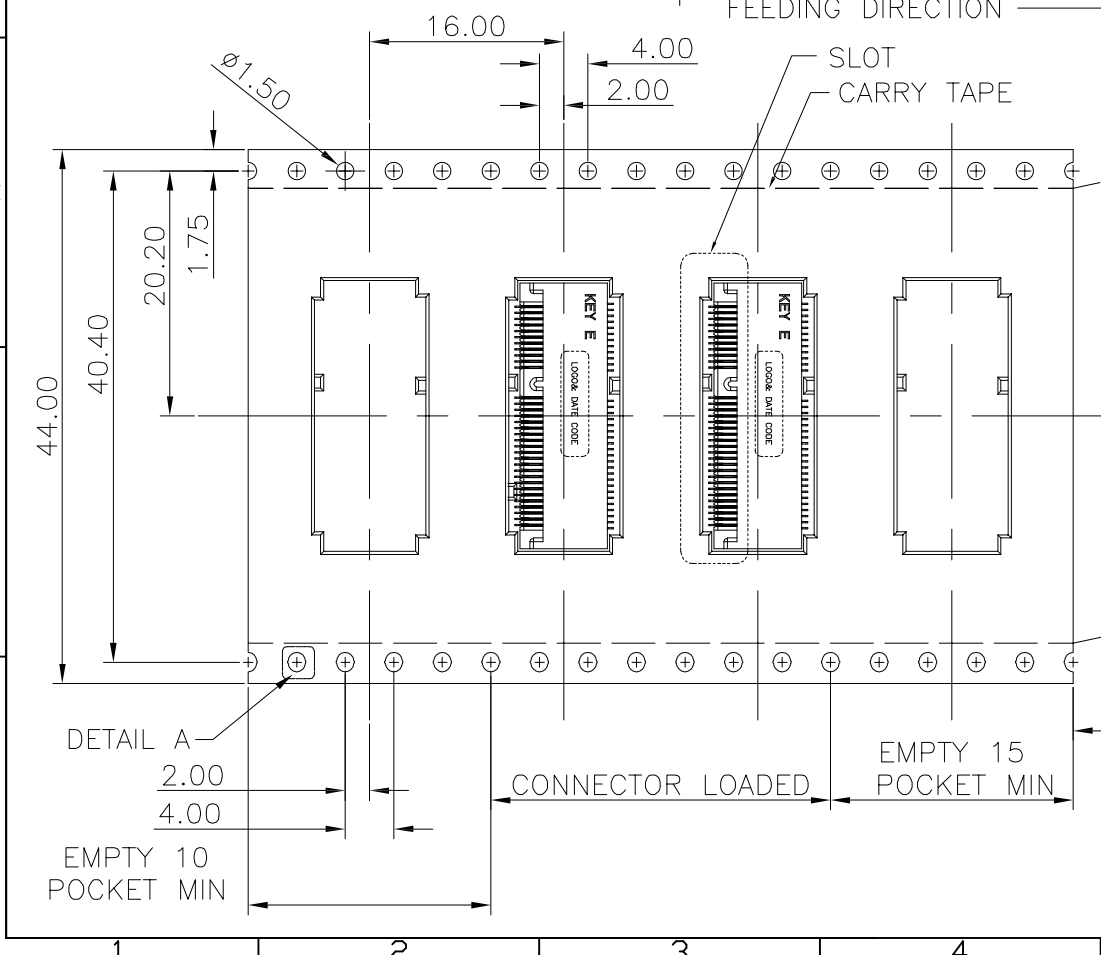
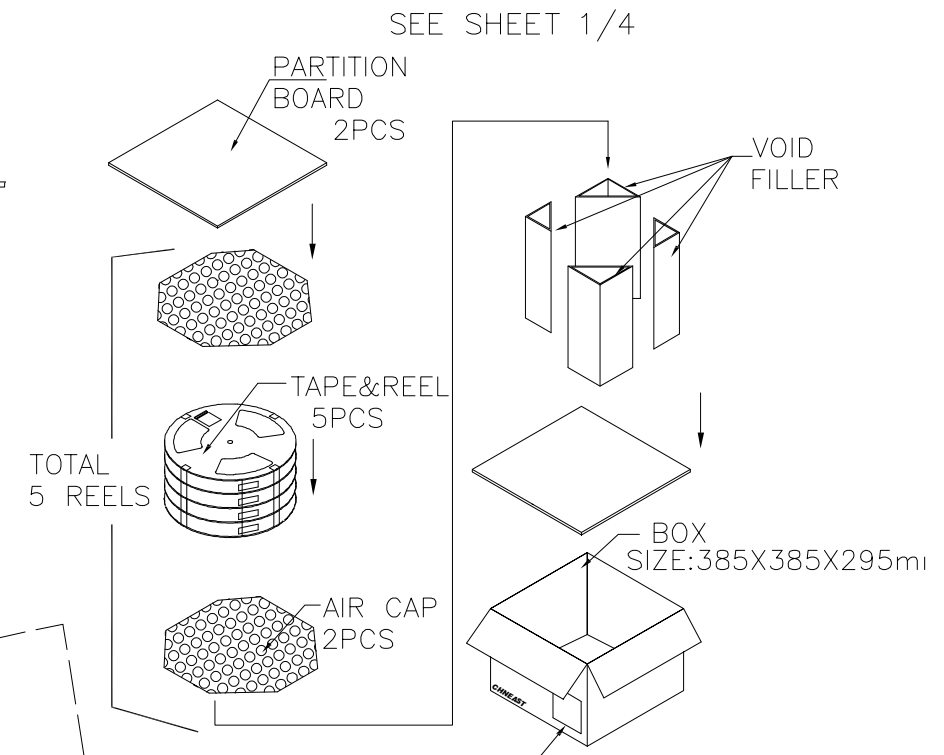
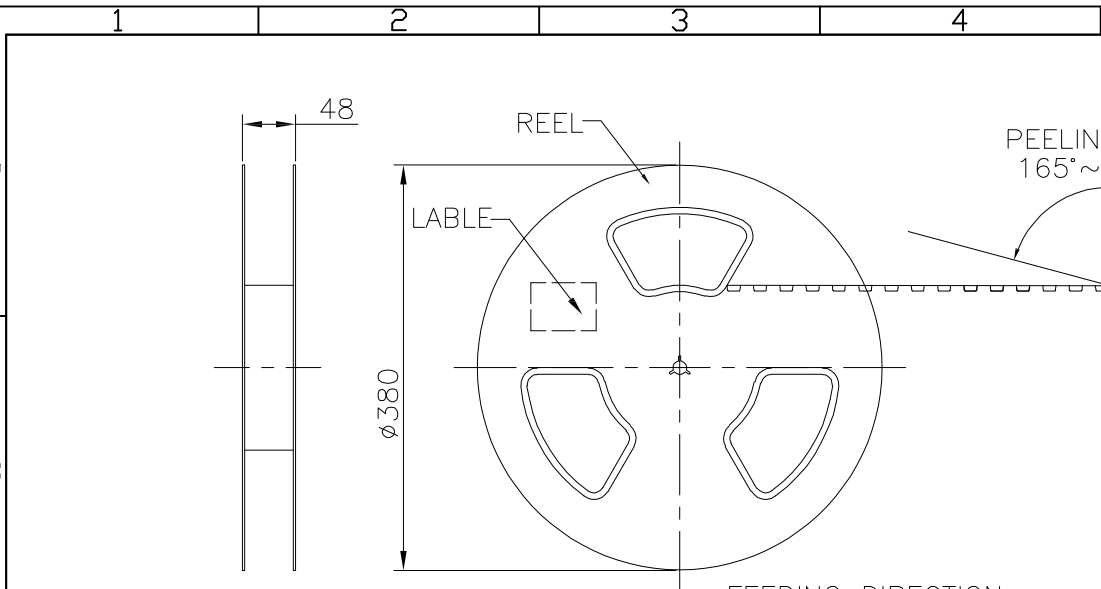
TOP SIDE

RECOMMENDED PCB LAYOUT



22110	108.25
2280	78.25
2260	58.25
2242	40.25
2230	28.25
3042	40.25
3030	28.25
MODULE TYPE	DIM P

TOLERANCE		深圳市东方御业科技有限公司 WWW.DFYCONN.COM TEL:0755-27155560	TITLE: NGFF Connector 5.5H			
LINEAR	ANGLES		PART NO: _____			
X.±0.50	X°.±2.0°		DWG NO: EAST-06755X18K1BR			
.X ±0.38	.X*±1.0°		APPD:	DRWN: Rocky	UNITS	SCALE
.XX ±0.25	.XX*±		CHKD:	DATE: 2016-9-29	MM	1:1
.XXX ±0.15	.XXX*±				SHEET	REV
				1 OF 3	A/0	



TOLERANCE		深圳市东方御业科技有限公司 WWW.DFYCONN.COM TEL:0755-27155560	TITLE: NGFF Connector 5.5H					
LINEAR	ANGLES		PART NO: _____					
X ± 0.50	X° ± 2.0°	APPD: _____	DRWN: Rocky	DWG NO: EAST-06755X18K1BR	UNITS: MM	SCALE: 1:1	SHEET: 1 OF 3	REV: A/0
.X ± 0.38	.X° ± 1.0°							
.XX ± 0.25	.XX° ±	CHKD: _____						
.XXX ± 0.15	.XXX° ±							

DETAIL A  
2.00  
4.00  
EMPTY 10 POCKET MIN

CONNECTOR LOADED

EMPTY 15 POCKET MIN

400mm MIN