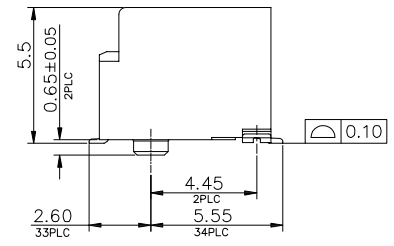
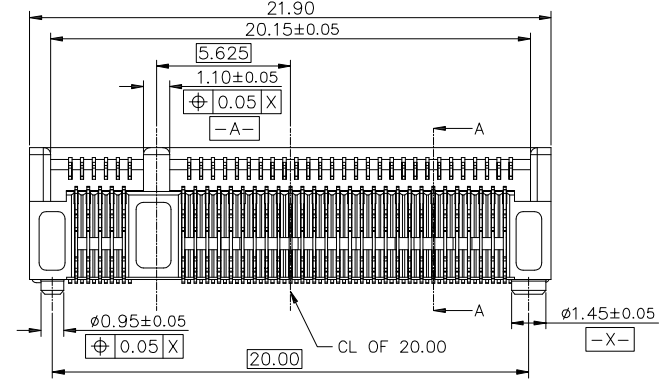
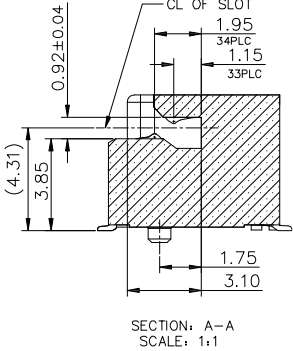
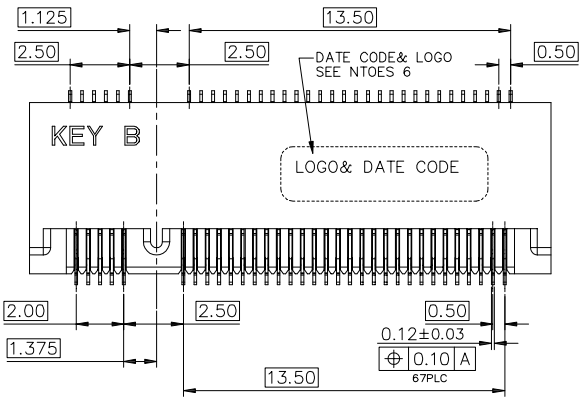


NOTES:

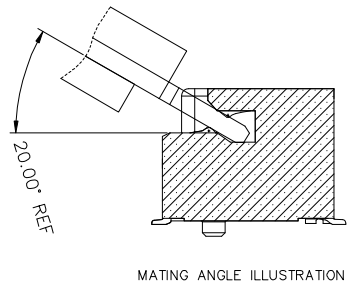
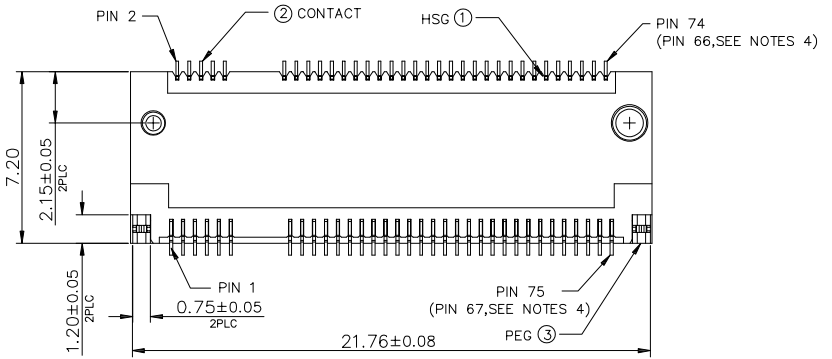
- MATERIAL:
  - HOUSING: HIGH TEMPERATURE THERMOPLASTIC, UL94V-0, COLOR: BLACK
  - CONTACT: COPPER ALLOY.
  - SOLDER PEG: STAINLESS STEEL.
- FINISH:
  - CONTACT: UNDERPLATING NICKEL 50u" MIN OVERALL, GF PLATING ON SOLDER AREA. CONTACT AREA: SEE TABLE,
  - SOLDER PEG: MATTE TIN 80u" MIN. AND NICKEL 50u" MIN UNDER PLATED.
- LOGO & DATE CODE: LOGO: DR OR DEREN, DATE CODE: YYWWDLX  
 YY: YEAR (09: 2009)  
 WW: WEEK (25: THE 25TH WEEK)  
 D: DAY (1~7: SUNDAY~SATURDAY)  
 L: LINE NUMBER OF ASSEMBLY  
 X: D OR N, D: DAY, N: NIGHT
- CONNECTOR ACTUAL PIN QUANTITY IS 67, AS THE KEY TAKING OUT 8 PINS.
- PART NUMBER DESCRIPTION:



**EAST-067 55 X 15 K1 B R**

No. of Pins: EAST-067 55 X 15  
 Plating: EAST-067 55 X 15  
 Environment Protection: EAST-067 55 X 15  
 Packing: EAST-067 55 X 15  
 HSG Color: EAST-067 55 X 15  
 Key B: EAST-067 55 X 15

A-Flash, Gold (0.8u" Min)  
 B-Gold 3u" Au  
 C-Gold 5u" Au  
 D-Gold 10u" Au  
 E-Gold 15u" Au  
 G-Gold 30u" Au

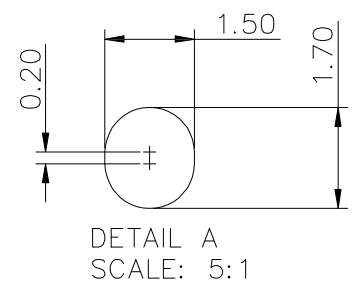
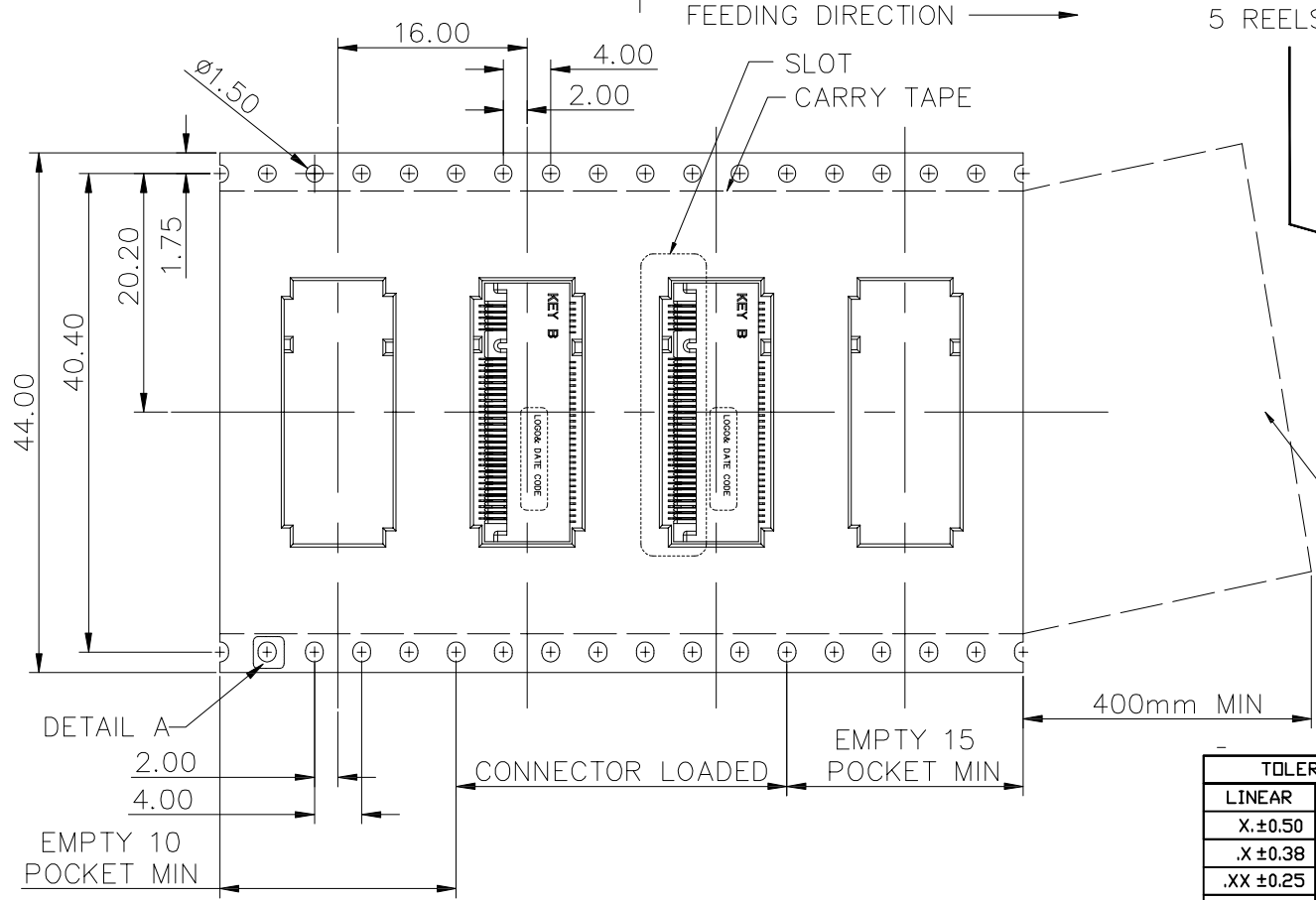
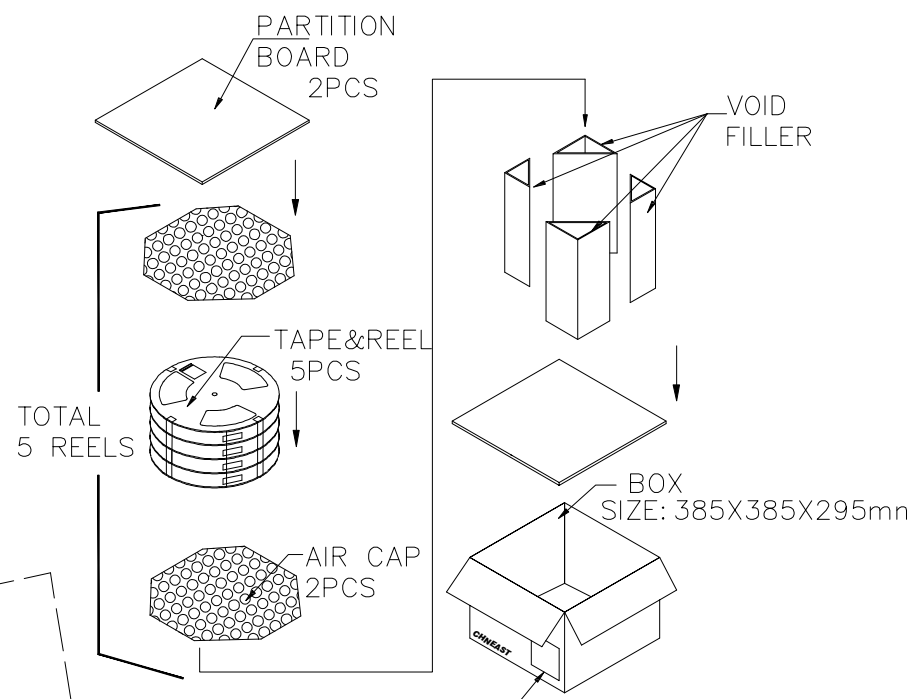
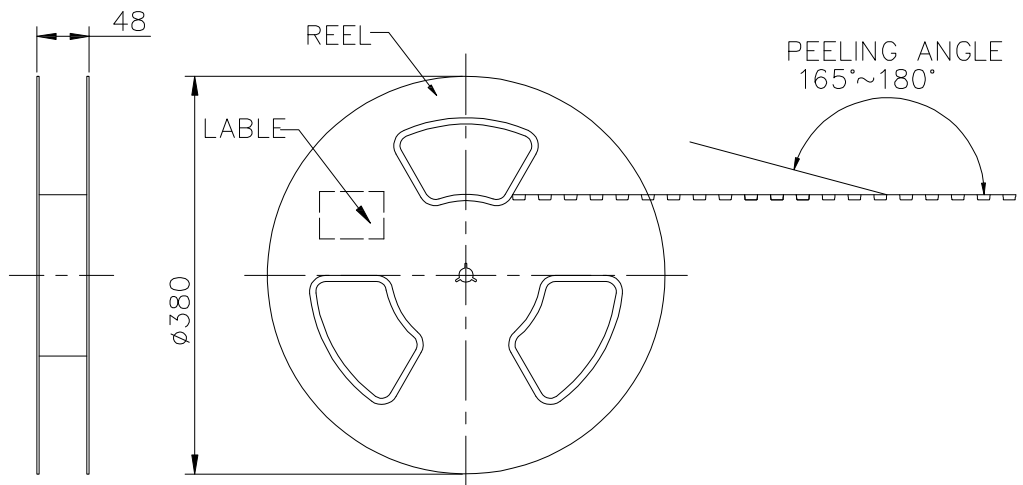


TOLERANCE		深圳市东方御业科技有限公司 WWW.DFYCONN.COM TEL:0755-27155560	TITLE: NGFF Connector 5.5H KEY.B						
LINEAR	ANGLES		PART NO.:	DWG NO.:	UNITS	SCALE	SHEET	REV	
X.±0.50	X°.±2.0°		EAST-06755-15	MM	1:1	1 OF 3	A/0		
.X ±0.38	.X°±1.0°								
.XX ±0.25	.XX°±							APPD:	DRWN: Rocky
.XXX ±0.15	.XXX°±							CHKD:	DATE: 2016-9-29



REV	LTR	DESCRIPTION	DATE	DWN
-----	-----	-------------	------	-----

SEE SHEET 1/4



TOLERANCE		深圳市东方御业科技有限公司 WWW.DFYCONN.COM TEL:0755-27155560	TITLE: NGFF Connector 5.5H KEY.B			
LINEAR	ANGLES		PART NO.:			
X.±0.50	X°.±2.0°	DWG NO.:	EAST-06755-15			
.X±0.38	.X°±1.0°	UNITS	SCALE	SHEET	REV	
.XX±0.25	.XX°±	MM	1:1	1 OF 3	A/0	
.XXX±0.15	.XXX°±	APPD:	DRWN: Rocky			
		CHKD:	DATE: 2016-9-29			