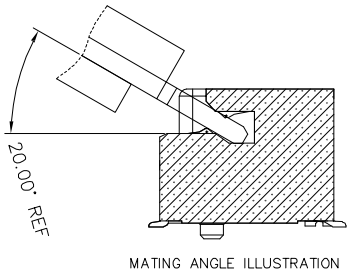
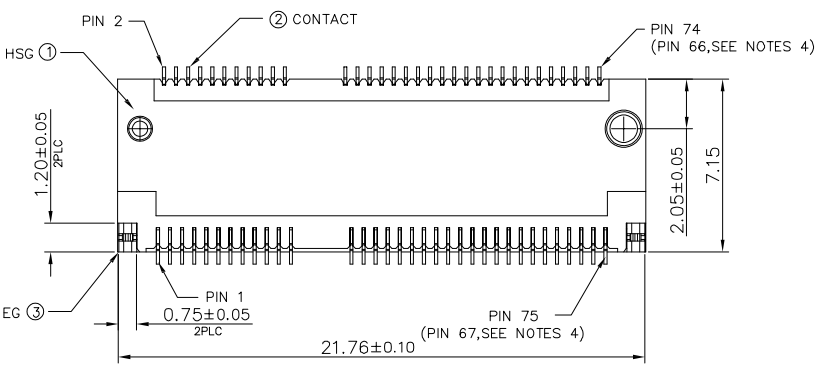
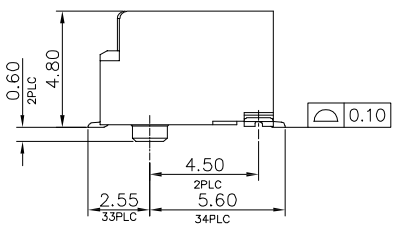
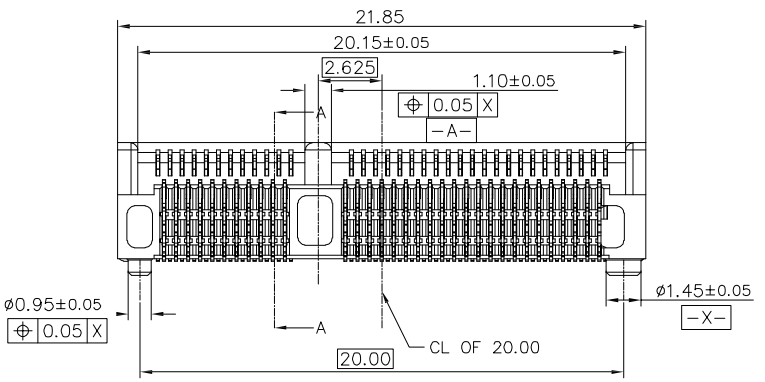


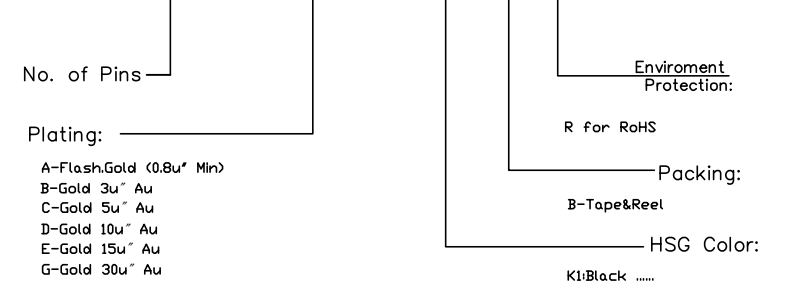
NOTES:

- MATERIAL:
 - HOUSING: HIGH TEMPERATURE THERMOPLASTIC, UL94V-0, COLOR: BLACK
 - CONTACT: COPPER ALLOY.
 - SOLDER PEG: STAINLESS STEEL.
- FINISH:
 - CONTACT: UNDERPLATING NICKEL 50u" MIN OVERALL, GF PLATING ON SOLDER AREA. CONTACT AREA: SEE TABLE,
 - SOLDER PEG: MATTE TIN 80u" MIN. AND NICKEL 50u" MIN UNDER PLATED.
- LOGO & DATE CODE: LOGO: DR OR DEREN, DATE CODE: YYWWDLX
 YY: YEAR (09: 2009)
 WW: WEEK (25: THE 25TH WEEK)
 D: DAY (1~7: SUNDAY~SATURDAY)
 L: LINE NUMBER OF ASSEMBLY
 X: D OR N, D: DAY, N: NIGHT
- CONNECTOR ACTUAL PIN QUANTITY IS 67, AS THE KEY TAKING OUT 8 PINS.
- PART NUMBER DESCRIPTION:



CHNEAST INFORMATION:

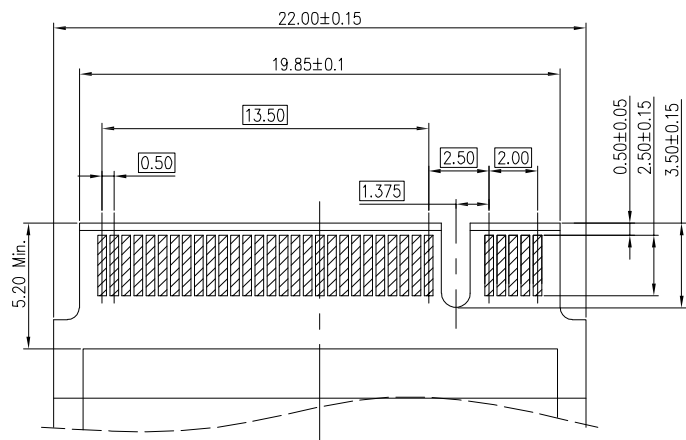
EAST-067 48 X 18 K1 B R



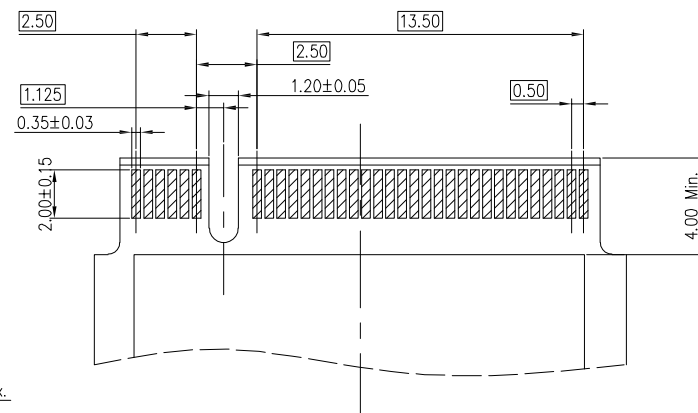
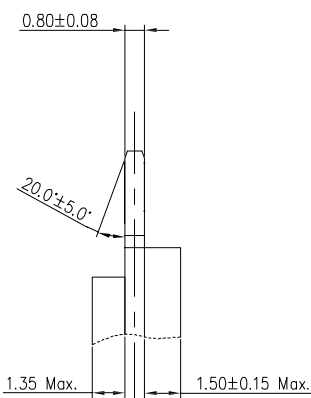
TOLERANCE		深圳市东方御业科技有限公司 WWW.DFYCONN.COM TEL:0755-27155560	TITLE: NGFF(M.2) 4.8H KEY-E Connector			
LINEAR	ANGLES		CUSTOMER COPY	PART NO.:	SCALE	SHEET
X.±0.50	X°.±2.0°	EAST-06748X18K1BR		DWG NO.:	1 OF 2	A/0
.X±0.38	.X°±1.0°	DWG NO.:		MM	1:1	
.XX±0.25	.XX°±	APPD:		DRWN:		
.XXX±0.15	.XXX°±	CHKD:		DATE:		

PLUG PCB

REV	LTR	DESCRIPTION	DATE	DWN
-----	-----	-------------	------	-----

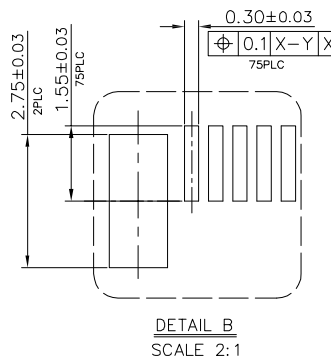
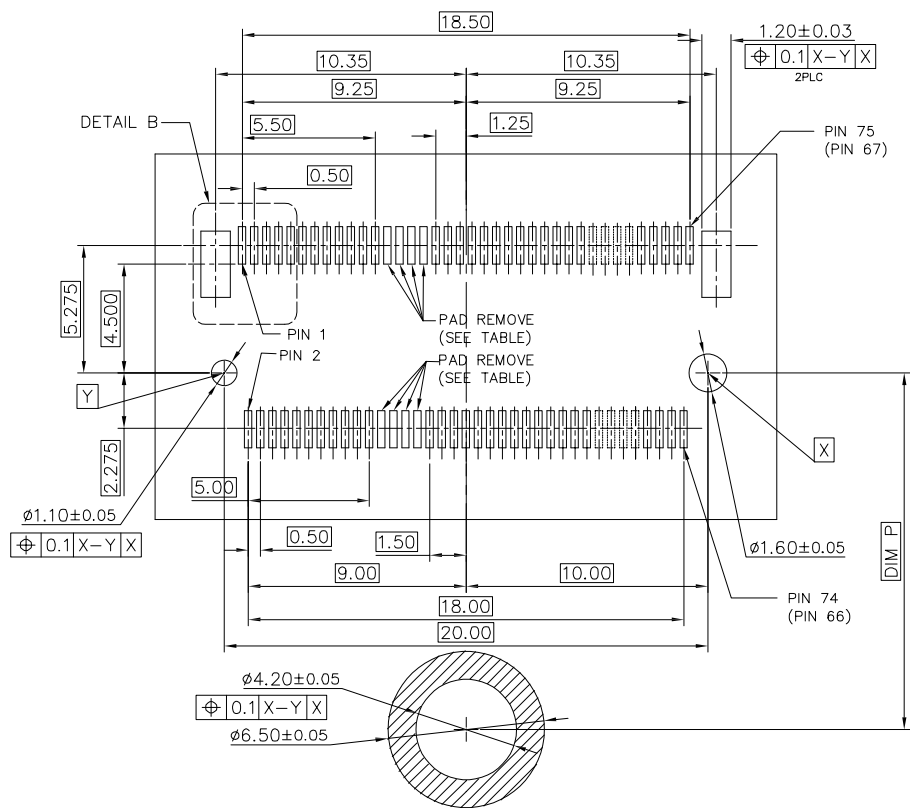


BOTTOM SIDE



TOP SIDE

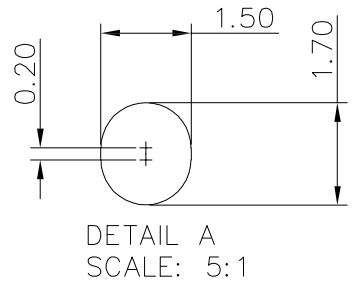
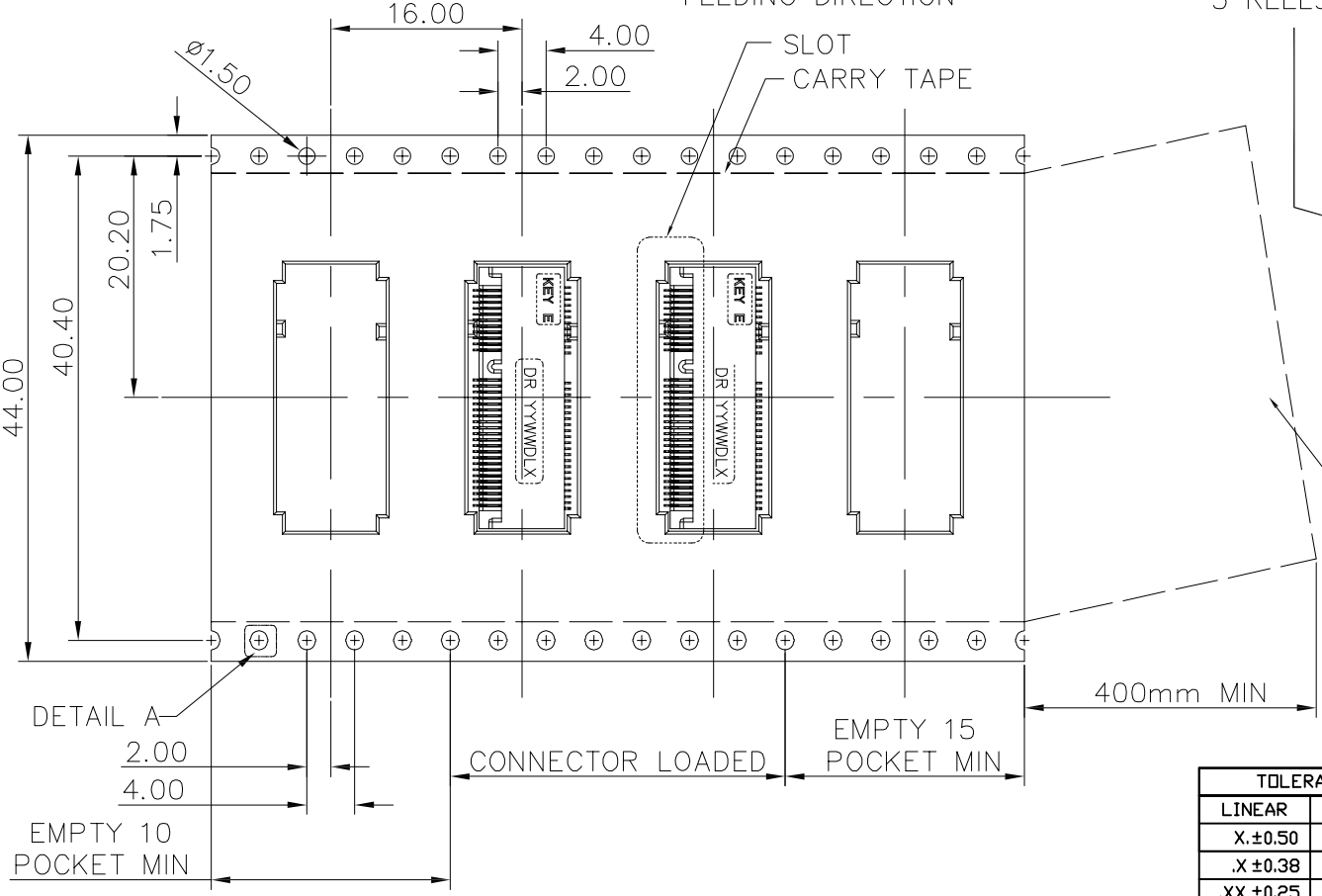
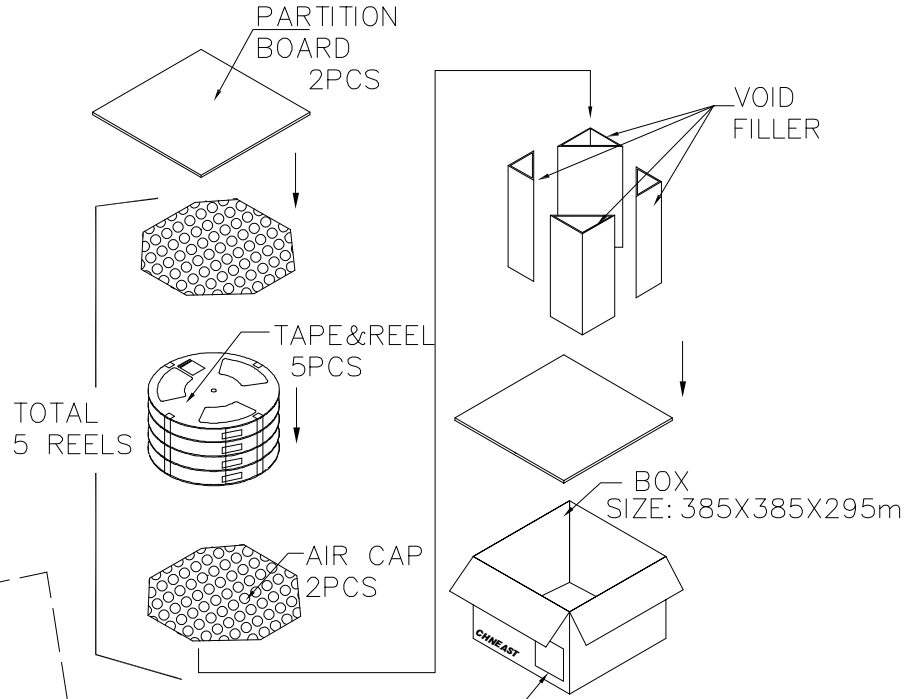
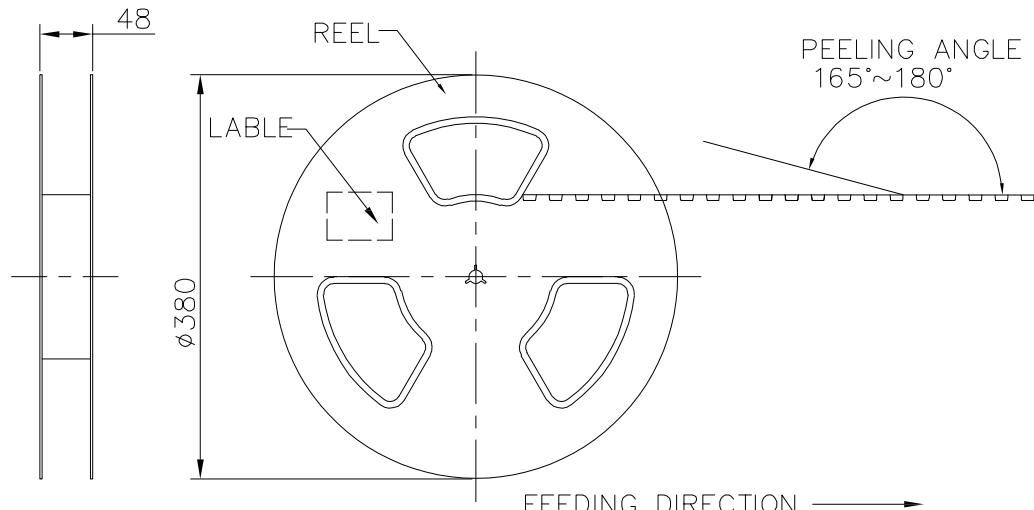
RECOMMENDED PCB LAYOUT



22110	108.25
2280	78.25
2260	58.25
2242	40.25
2230	28.25
3042	40.25
3030	28.25
MODULE TYPE	DIM P

TOLERANCE		TITLE:	
LINEAR	ANGLES	NGFF(M.2) 4.8H KEY-E Connector	
X.±0.50	X°.±2.0°	深圳市东方御业科技有限公司	
.X ±0.38	.X°±1.0°	WWW.DFYCONN.COM TEL:0755-27155560	
.XX ±0.25	.XX°±	CUSTOMER	PART NO.: EAST-06748X18K1BR
.XXX ±0.15	.XXX°±	APPD:	DRWN: Rocky
		CHKD:	DATE: 2016-9-29
			DWG NO.: EAST-06748-18
		UNITS	SCALE
		MM	1:1
		SHEET	1 OF 2
		REV	A/0

REV	LTR	DESCRIPTION	DATE	DWN
-----	-----	-------------	------	-----



TOLERANCE		深圳市东方御业科技有限公司 WWW.DFYCONN.COM TEL:0755-27155560	TITLE: NGFF(M.2) 4.8H KEY-E Connector				
LINEAR	ANGLES		CUSTORMER COPY	PART NO.: EAST-06748X18K1BR			
X.±0.50	X°.±2.0°	DWG NO.: EAST-06748-18					
.X±0.38	.X*±1.0°	APPD:	DRWN: Rocky	UNITS	SCALE	SHEET	REV
.XX±0.25	.XX*±	CHKD:	DATE: 2016-9-29				
.XXX±0.15	.XXX*±						