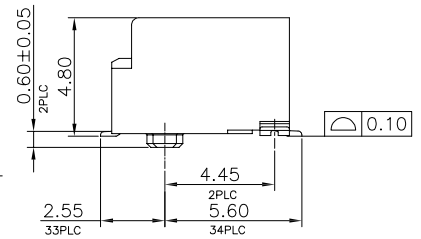
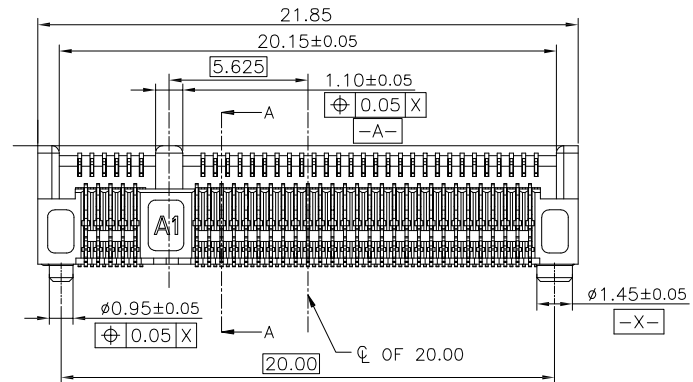


NOTES:

- MATERIAL:
  - HOUSING: HIGH TEMPERATURE THERMOPLASTIC, UL94V-0, COLOR: BLACK
  - CONTACT: COPPER ALLOY.
  - SOLDER PEG: STAINLESS STEEL.
- FINISH:
  - CONTACT: UNDERPLATING NICKEL 50u" MIN OVERALL, GF PLATING ON SOLDER AREA. CONTACT AREA: SEE TABLE,
  - SOLDER PEG: MATTE TIN 80u" MIN. AND NICKEL 50u" MIN UNDER PLATED.
- LOGO & DATE CODE: LOGO: NO LOGO, DATE CODE: YYWWDLX  
 YY: YEAR (09: 2009)  
 WW: WEEK (25: THE 25TH WEEK)  
 D: DAY (1~7: SUNDAY~SATURDAY)  
 L: LINE NUMBER OF ASSEMBLY  
 X: D OR N, D: DAY, N: NIGHT
- CONNECTOR ACTUAL PIN QUANTITY IS 67, AS THE KEY TAKING OUT 8 PINS.
- PART NUMBER DESCRIPTION:



\*CHNEAST INFORMATION:\*

EAST-067 48 X 15 K1 B R

No. of Pins

Plating:

- A-Flash Gold (0.8u" Min)
- B-Gold 3u" Au
- C-Gold 5u" Au
- D-Gold 10u" Au
- E-Gold 15u" Au
- G-Gold 30u" Au

Environment Protection:

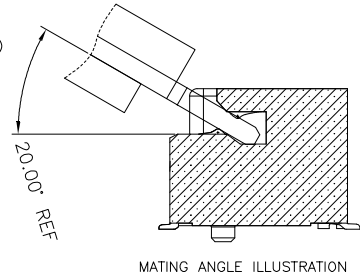
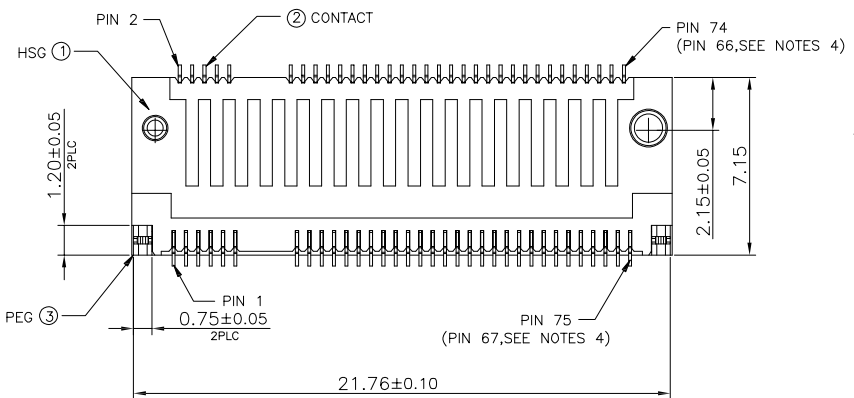
R for RoHS

Packing:

B-Tape&Reel

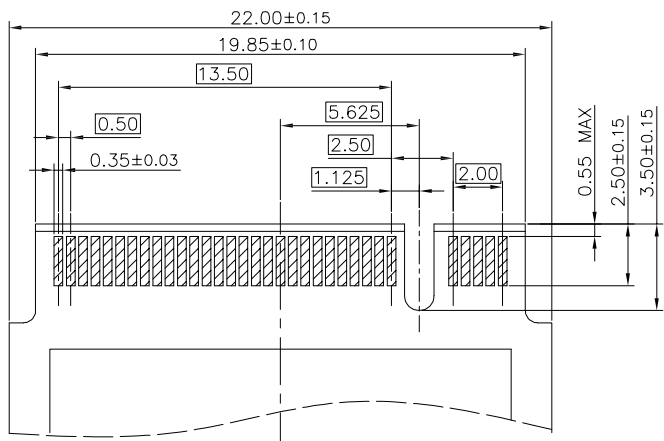
HSG Color:

K1:Black .....

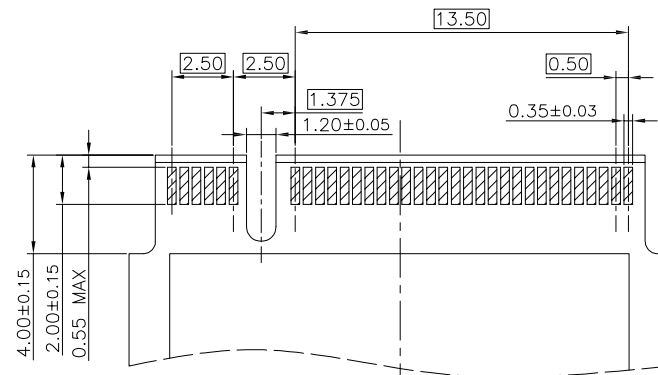
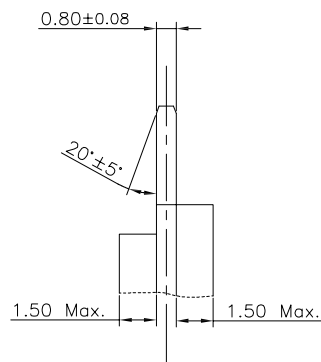


TOLERANCE		深圳市东方御业科技有限公司 WWW.DFYCONN.COM TEL:0755-27155560	TITLE: NGFF(M.2) 4.8H KEY-B Connector				
LINEAR	ANGLES		CUSTOMER COPY	PART NO.:	DWG NO.:	REV	
X.±0.50	X°.±2.0°		EAST-06748X15K1BR	EAST-06748-15	A/0		
.X±0.38	.X°.±1.0°						
.XX±0.25	.XX°.±	APPD:	DRWN: Rocky	UNITS	SCALE	SHEET	REV
.XXX±0.15	.XXX°.±	CHKD:	DATE: 2016-9-29	MM	1:1	1 OF 2	A/0

PLUG PCB

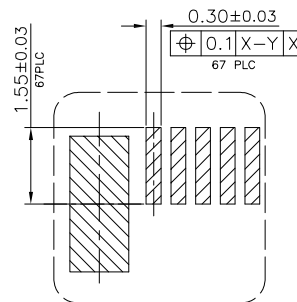
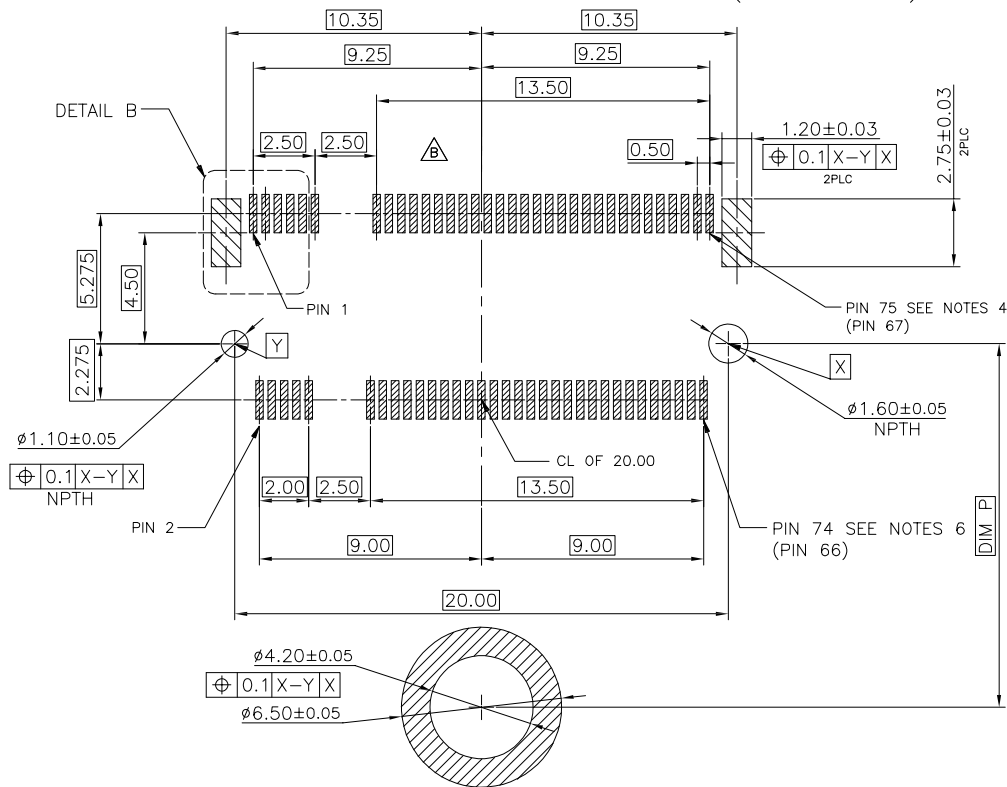


BOTTOM SIDE



TOP SIDE

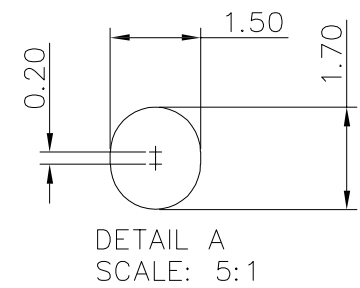
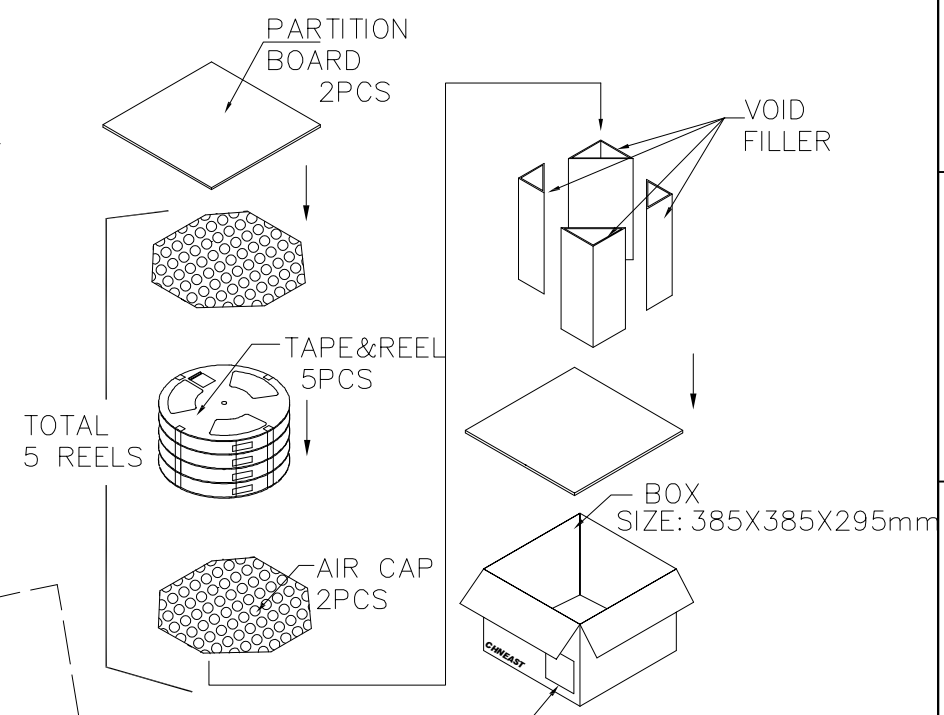
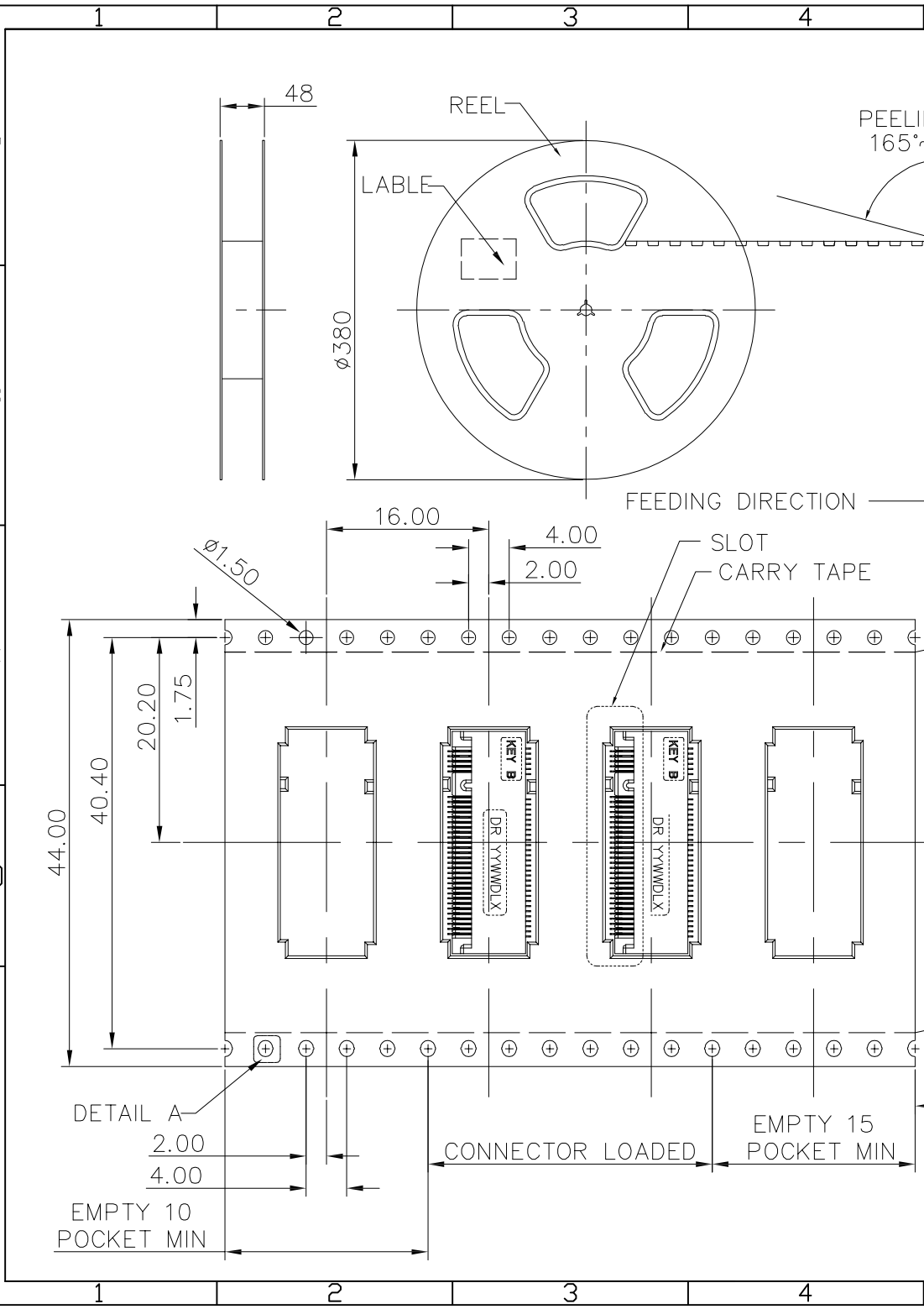
RECOMMENDED PCB LAYOUT(TOP VIEW)



DETAIL B  
SCALE 2:1

22110	108.25
2280	78.25
2260	58.25
2242	40.25
2230	28.25
3042	40.25
3030	28.25
MODULE TYPE	DIM P

TOLERANCE		TITLE:	
LINEAR	ANGLES	NGFF(M.2) 4.8H KEY-B Connector	
X.±0.50	X°.±2.0°	深圳市东方御业科技有限公司	
.X±0.38	.X°±1.0°	WWW.DFYCONN.COM TEL:0755-27155560	
.XX±0.25	.XX°±	APPD:	DRWN: Rocky
.XXX±0.15	.XXX°±	CHKD:	DATE: 2016-9-29
		CUSTOMER COPY	PART NO.: EAST-0674815K1BR
		DWG NO.: EAST-06748-15	
UNITS	SCALE	SHEET	REV
MM	1:1	1 OF 2	A/0



TOLERANCE		TITLE:	
LINEAR	ANGLES	NGFF(M.2) 4.8H KEY-B Connector	
X.±0.50	X°.±2.0°	深圳市东方御业科技有限公司	
.X±0.38	.X°±1.0°	WWW.DFYCONN.COM TEL:0755-27155560	
.XX±0.25	.XX°±	CUSTOMER	PART NO.: EAST-0674815K1BR
.XXX±0.15	.XXX°±	CPY	DWG NO.: EAST-06748-15
		APPD:	DRWN: Rocky
		CHKD:	DATE: 2016-9-29
		UNITS	SCALE
		MM	1:1
		SHEET	1 OF 2
		REV	A/0