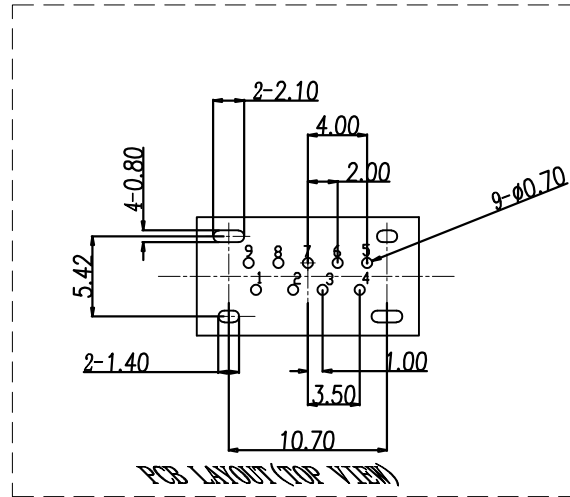
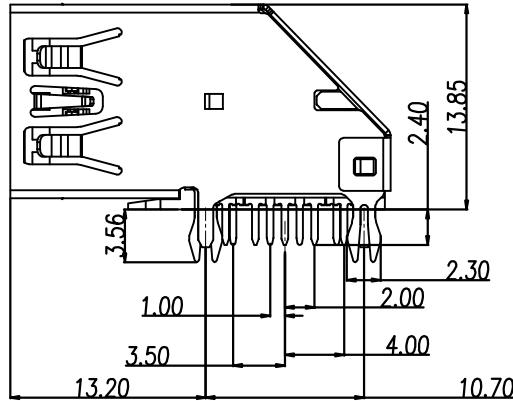
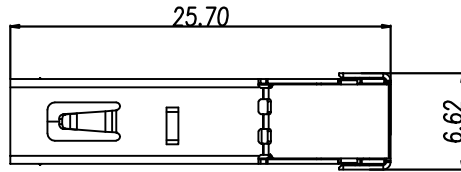
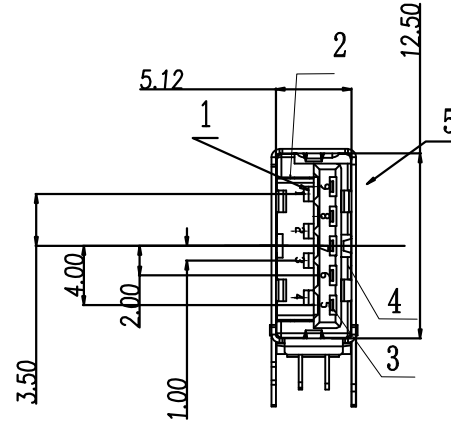
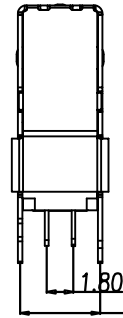
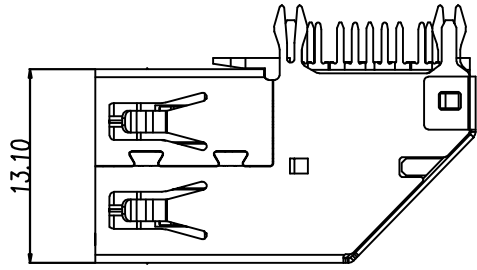


REV.	ECN NO.	MODIFY MATTER	DATE	APPROVED
A		RELEASE TO PRODUCTION		

SPECIFICATIONS:
 Contact current Rating:
 1.8 Amperes for pin1&pin4.
 0.25 Amperes other contacts
 Dielectric Withstanding Voltage:AC 100V(RMS)
 Insulation resistance:100Megohms Minimum.
 Contact Resistance:
 30m Ω Max for pin1&pin4
 50m Ω Max for other contacts
 Mechanical Characteristics:
 Mating Force:3.5 Newtons.Maximum
 Unmating Force:10 Newtons.Minimum.
 operating Temperature:-55 $^{\circ}$ Cto+85 $^{\circ}$ C



EAST-U3AB-1L702R

- 1:铁壳镀镍
- 5:铜壳镀镍
- B:不锈钢镀镍
- 1:半金1u"
- 3:半金3u"
- 5:半金5u"
- 7:半金10u"
- 8:半金15u"
- A:半金30u"
- R:RoHS
- 1:有卷边
- 2:无卷边
- 1:黑色
- 7:蓝色300C
- P:PBT
- L:LCP

Pin Number	Signal Name	Pin Number	Signal Name
1	VBUS	5	SSRX-
2	D-	6	SSRX+
3	D+	7	GND
4	GND	8	SSTX-
Shell	Shield	9	SSRT+

ITEM	PART NAME	Material	Q'TY	REMARK
1	4P Semi-manufactured Goods	Housing LCP&PBT	1	Black &Blue UL94V-0
2		Contact COPPER ALLOY	4	T=0.20 Plating Gld/Tin
3	5P Semi-manufactured Goods	Housing PBT	1	Black &Blue UL94V-0
4		Contact COPPER ALLOY	5	T=0.20 Plating Gld/Tin
5	Shell	SUS304-1/2H	1	T=0.25

TOLERANCES UNLESS OTHERWISE SPECIFIED:
 X. ---
 X.X \pm 0.38
 X.XX \pm 0.25
 X.XXX \pm 0.20
 Angle \pm 3'

THESE DRAWING AND SPECIFICATION ARE THE PROPERTY OF Shenzhen Dongfangyue ELECTRONIC CO., LTD.. SHALL NOT BE REPRODUCED.

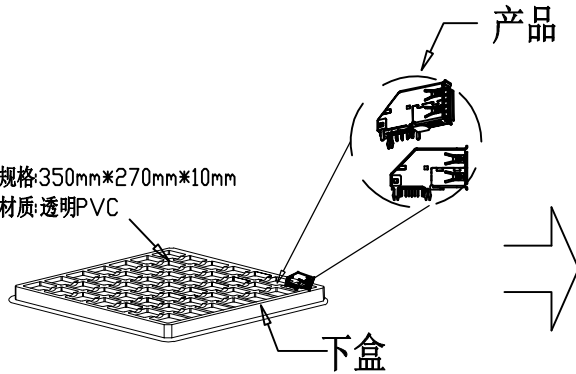
CUSTOMER COPY 深圳市东方御业科技有限公司
 Tet:0755-27155560 www.DFYCONN.COM

DRAWN: Qinkx 2017/09/10
 CHECKED: Chenl 2017/09/10
 APPROVED: Chenl 2017/09/10

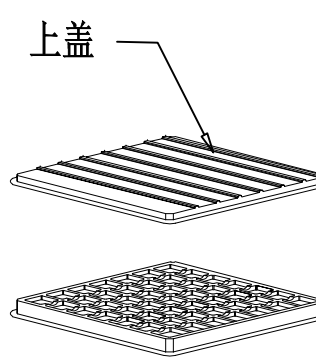
TITL: USB 3.0 AF侧立式无卷边 (RoHS)
 PART NO: EAST-U3AB-1L702R
 UNIT: mm SCALE: N/A SHEEL: REV.

REV.	ECN NO.	MODIFY MATTER	DATE	APPROVED
A		RELEASE TO PRODUCTION		

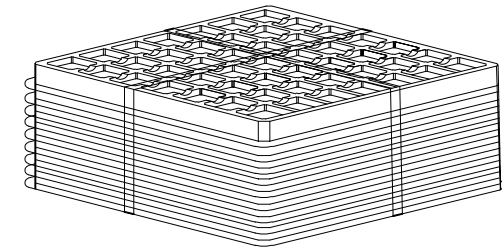
吸塑盒规格:350mm*270mm*10mm
吸塑盒材质:透明PVC



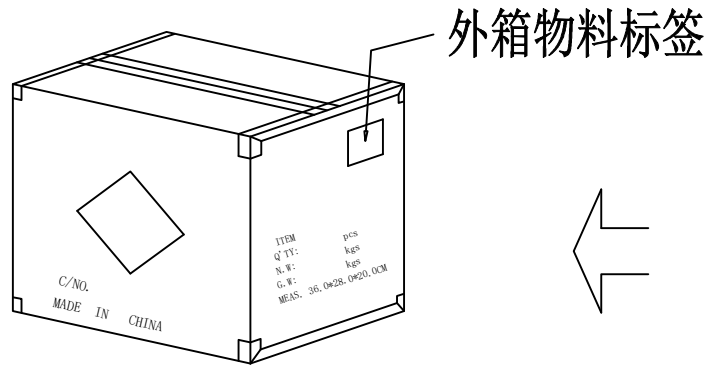
① 吸塑盒(1Set).100Pcs/盒



② 盖好上盖

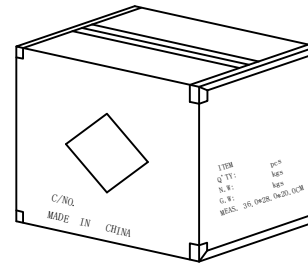


③ 每20盘用透明胶带绑紧/捆

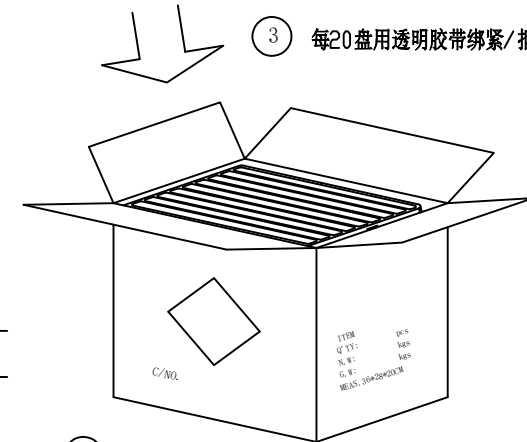


④ 依图示粘贴产品其它标签.

外箱物料标签



⑤ 外箱用透明胶带封“工”字型.



⑥ 每箱平放1捆产品,若尾数箱在空间处加装填充物. 一箱(2k). 纸箱规格: 36.0*28.0*20.0CM 纸箱材质: K=K

备注:
1. PE 真空盒1Set
2. 每盒装成品100Pcs,
3. 每箱装20盒,
4. 外箱尺寸与规格印刷: 详见包材图面;
5. 外箱用透明胶带封“工”字型;
6. 依外箱图示位置粘贴好产品或其它标签
(若客户另有贴标签要求, 则按其定单注明之要求贴)

每箱数量	净重	毛重
2K套/箱		5.05KG

TOLERANCES UNLESS OTHERWISE SPECIFIED: X. --- X.X ± 0.38 X.XX ± 0.25 X.XXX ± 0.20 Angle ± 3'		COSTOMER COPY 2017/09/10		深圳市东方御业科技有限公司 Tel:0755-27155560 WWW.DFYCONN.COM	
DRAWN: Qinkx		2017/09/10		TITLE: USB 3.0 AF 侧插90度 包装图 (RoHS)	
CHECKED: Chenl		2017/09/10		PART NO: EAST-U3AXXX	
APPROVED: Chenl		2017/09/10		UNIT: mm	SCALE: N/A
THESE DRAWING AND SPECIFICATION ARE THE PROPERTY OF Shenzhen Dongfangyue ELECTRONIC CO., LTD.. SHALL NOT BE REPRODUCED.				SHEEL:	REV.