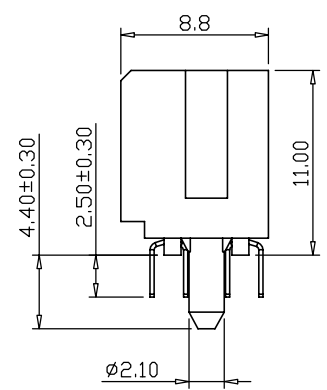
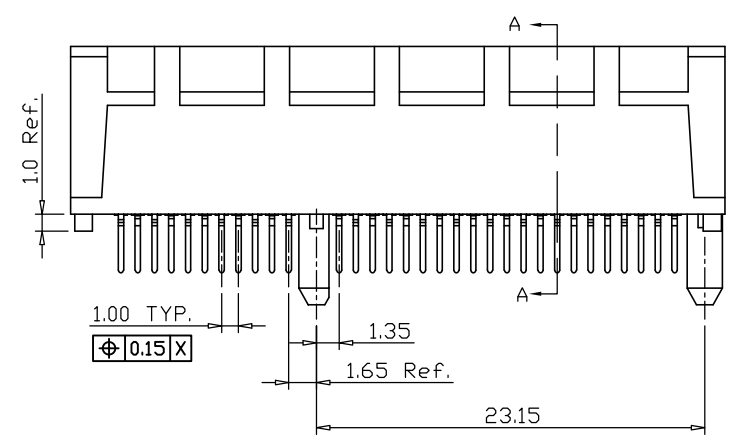
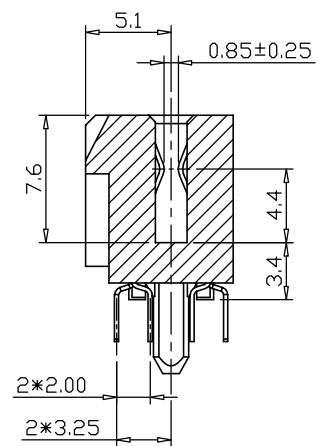
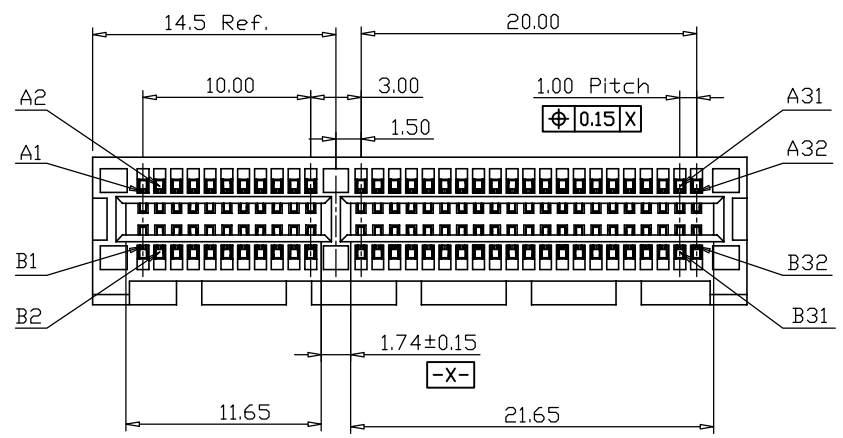
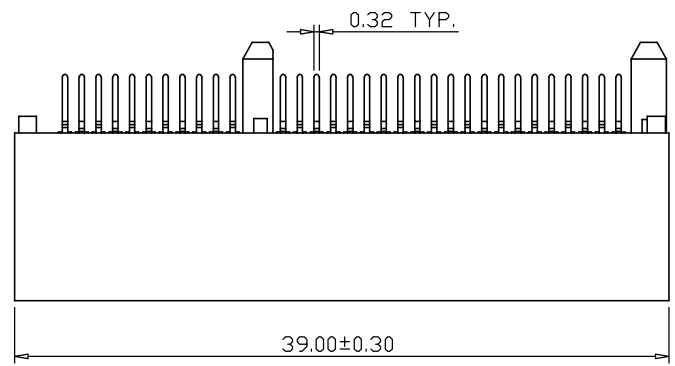


REV	LTR	DESCRIPTION	DATE	DWN
-----	-----	-------------	------	-----



- NOTES:
- MATERIAL:**
 - HOUSING: PA66+30%G/F, UL-HB, COLOR: BLACK;
 - CONTACT: Brass, T=0.25mm;**FINISH:**
 - 30u" MIN Ni UNDER PLATED ALL;
 - Au PLATING ON CONTACT AREA, Tin PLATING ON SOLDER AREA;
 - MECHANICAL:**
 - INSERTION FORCE: 1.15N Max. Per contact pair;
 - Unmating FORCE: 0.15N Min. Per contact pair;
 - DURABILITY: 50 CYCLES.
 - ELECTRICAL PERFORMANCE:**
 - CURRENT RATING: 1.1A Per Pin Min.;
 - Contact resistance: 30mΩ MAX.(INITIAL);
 - INSULATION RESISTANCE: 500V DC, 1000MΩ MIN.;
 - DIELECTRIC WITHSTANDING VOLTAGE: APPLY 500V AC, NO BREAKDOWN.
 - Operating Temperature: -25°C to +85°C;
 - ALL MATERIAL SHOULD BE FULFILLED ROHS COMPLIANT.

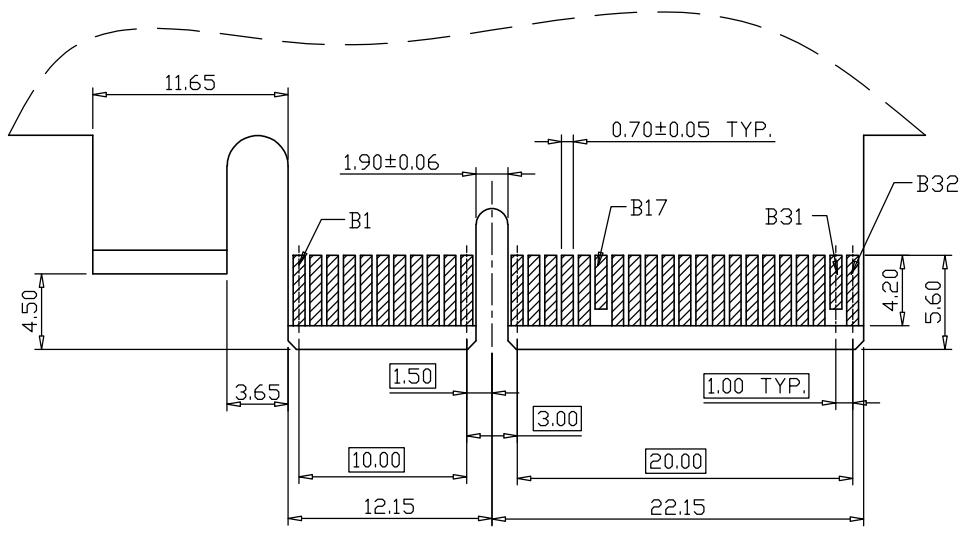
ORDER INFORMATION:

EAST-064 01 X 01 XX X X

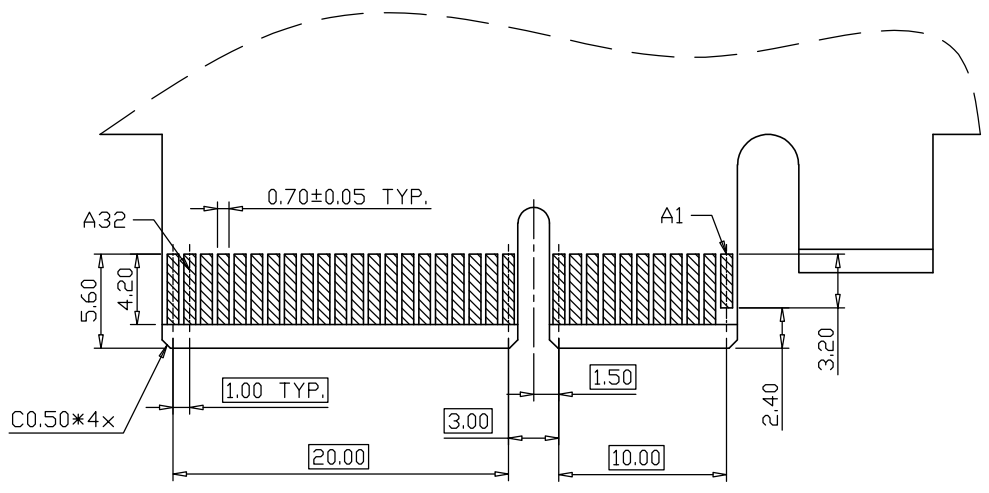
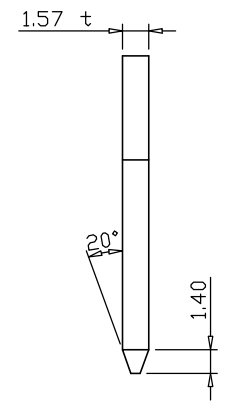
- No. of Pins: 01
- Plating: X
- A-Flash Gold on contact area;
- B-3u" Gold on contact area;
- C-5u" Gold on contact area;
- D-10u" Gold on contact area;
- E-15u" Gold on contact area;
- G-30u" Gold in contact area;
- Environment Protection: XX
- Packing: X
- Color: X

TOLERANCE		深圳市东方御业科技有限公司 ShenZhen CHNEAST Technology co.,Ltd		TITLE: PCIe 64Pin Slot with Post			
LINEAR	ANGLES			CUSTOMER COPY	PART NO.: SEE TABLE		
X.±0.50	X°.±2.0°	APPD:		DWG NO.: EAST-06401-01			
.X ±0.38	.X°±1.0°			DRWN: Rocky	UNITS	SCALE	SHEET
.XX ±0.25	.XX°±	CHKD:	DATE: 2018-6-6	MM	1:1	1 OF 2	0.1
.XXX ±0.15	.XXX°±						

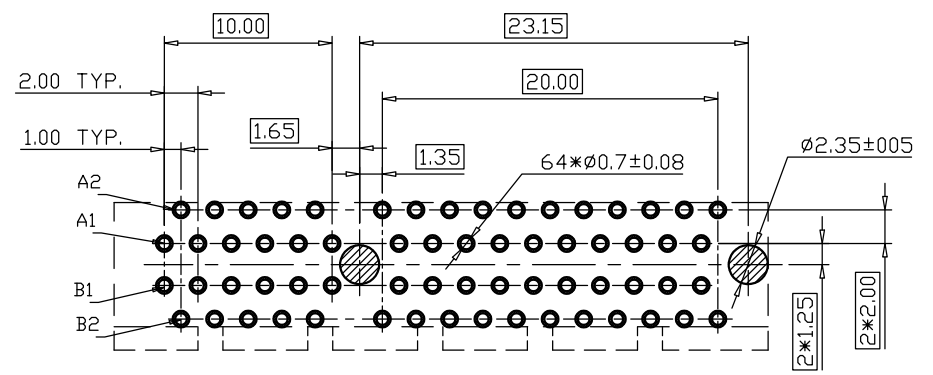
REV	LTR	DESCRIPTION	DATE	DWN
-----	-----	-------------	------	-----



RECOMMENDED EDGE CARD
PATTERN(PRIMARY SIDE)



RECOMMENDED EDGE CARD
PATTERN(SECONDARY SIDE)



RECOMMENDED PCB LAYOUT(COMPONENT SIDE)
TOLERANCE: ±0.05

TOLERANCE		TITLE: PCIe 64Pin Slot with Post	
LINEAR	ANGLES	深圳市东方御业科技有限公司	
X.±0.50	X°.±2.0°	ShenZhen CHNEAST Technology co.,Ltd	
.X±0.38	.X°±1.0°	CUSTOMER COPY	PART NO.: SEE TABLE
.XX±0.25	.XX°±	APPD:	DWG NO.: EAST-06401-01
.XXX±0.15	.XXX°±	CHKD:	DRWN: Rocky
			DATE: 2018-6-6
			UNITS: MM
			SCALE: 1:1
			SHEET: 2 OF 2
			REV: 0.1