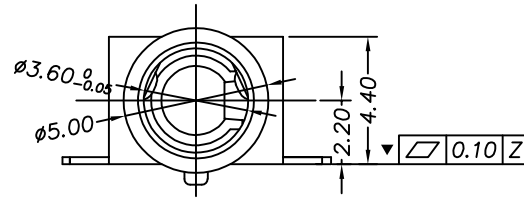
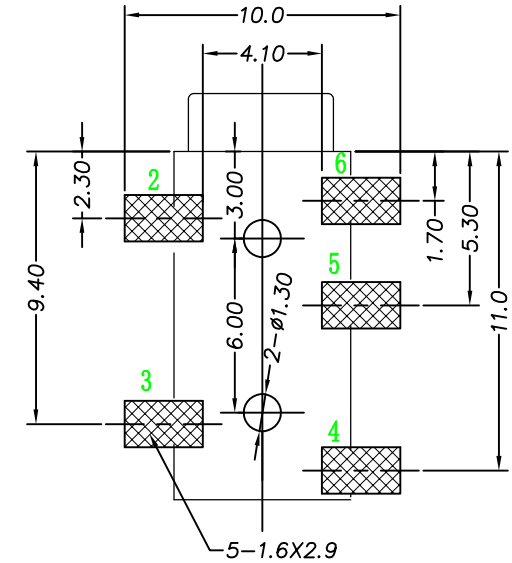
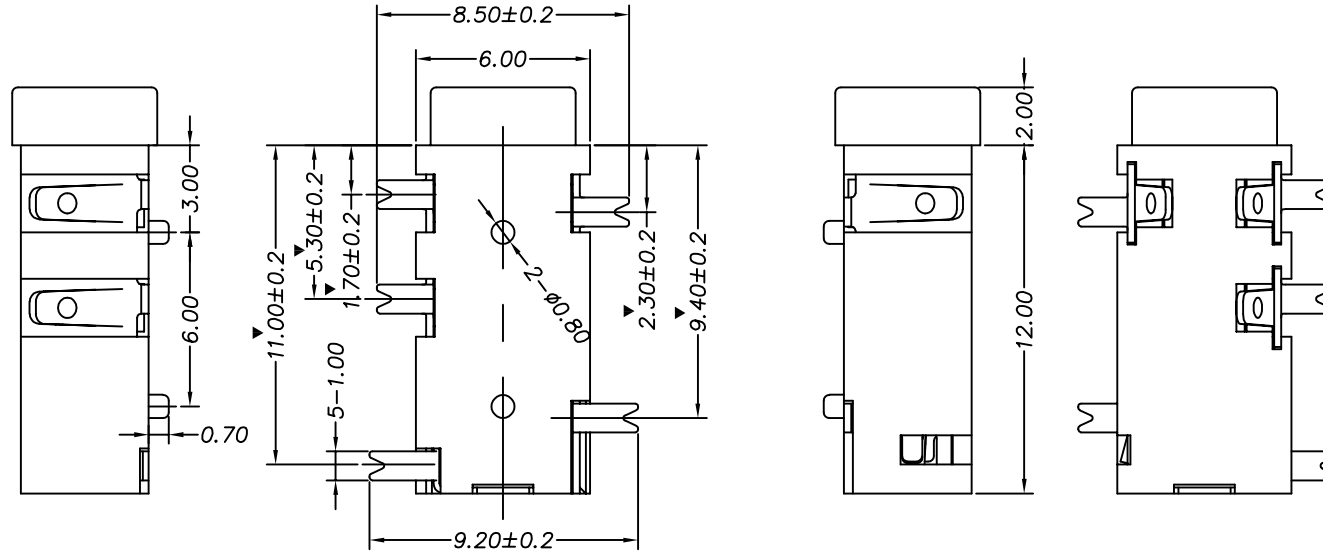


REV.	ECN NO.	MODIFY	MATTER	DATE	APPROVED
A		RELEASE TO PRODUCTION			

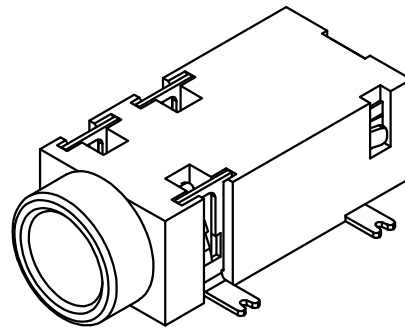
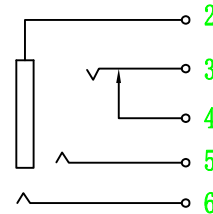
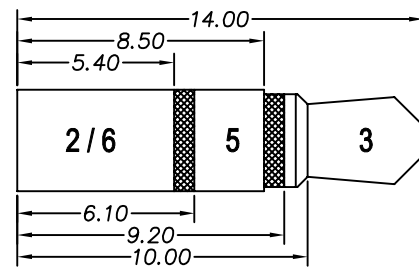


SPECIFICATION

1. Rating: 12V 1.0A
2. Contact resistance: ≤30mΩ ohms
3. Insulation resistance: ≥100mΩ ohms (DC500V)
4. Withstand voltage: 500V AC
5. Insertion and extraction force: 3-30N
6. Life test: 5,000 cycles



P.C.B LAYOUT TOP VIEW



4	后盖脚	1	黄铜	0.20T	镀金
3	弹片脚	1	磷铜	0.25T	镀金
2	中脚	3	磷铜 (TT)	0.25T	镀金
1	底座	1	PPA		黑色
序号	产品名称	数量	材料	规格	处理

EAST-2306C-06SB-APA

- B:BLACK
- P:PINK
- G:GREEN

TOLERANCES UNLESS OTHERWISE SPECIFIED: X. --- X.X ± 0.38 X.XX ± 0.25 X.XXX ± 0.10 Angle ±1°		COSTOMER COPY		深圳市东方御业科技有限公司 WWW.DFYCONN.COM TEL:0755-27155560	
DRAWN: CHENLEI		2017/09/10		TITL: 3.5mm PHONE JACK 3102 (RoHS)	
CHECKED: CHENLEI		2017/09/10		PART NO: EAST-3102A-06SB-APA	
APPROVED: QINKAIXING		2017/09/10		UNIT: mm	SCALE: N/A
THESE DRAWING AND SPECIFICATION ARE THE PROPERTY OF Shenzhen Dongfangyue ELECTRONIC CO., LTD.. SHALL NOT BE REPRODUCED.				SHEEL: 1:1	REV.