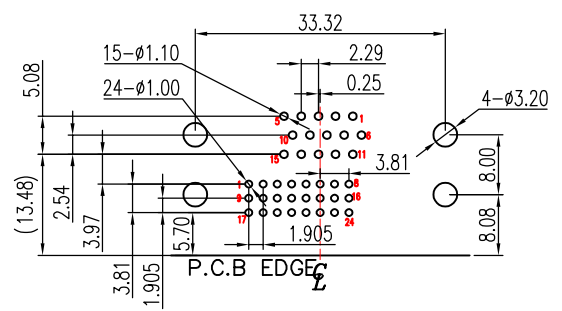
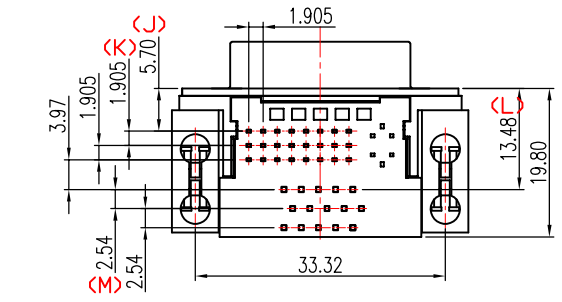
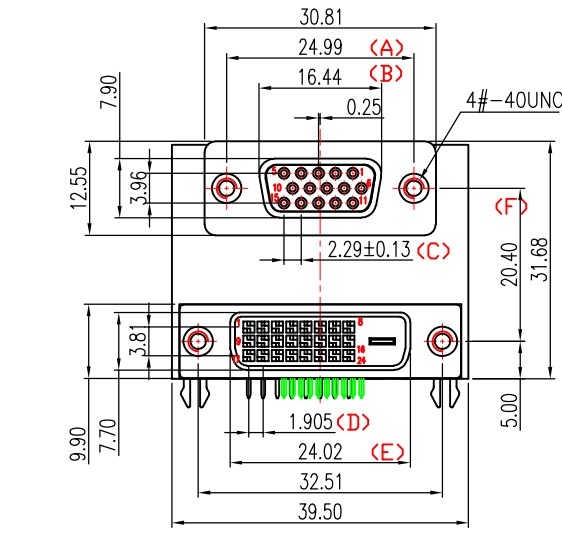


REV.	ECN NO.	MODIFY	MATTER	DATE	APPROVED
A		RELEASE TO PRODUCTION			



RECOMMENDED P.C.B LAYOUT

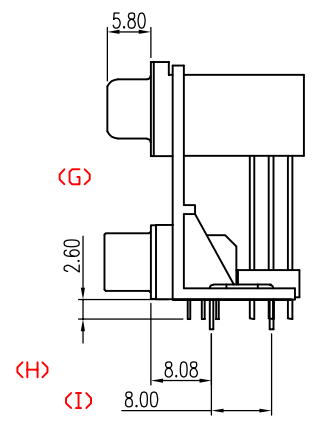
INSPECTION DIMENSION:(A)~(M)

SPECIFICATIONS

- VGA
 - Voltage: 250 VAC(RMS) Max.
 - Current Rating: 3 Ampere per Contact
 - Contact Resistance: 25 Milliohms Max.
 - Insulation Resistance: 5000 Megohms Min.
 - Dielectric Withstanding Voltage: 1000V AC(RMS)
 - Total Mating Force: 6.0 Kgf Max.
 - Total Unmating Force: 1.2 Kgf Min.
 - Operating Temperature: -55°C to +85°C
- DVI
 - Voltage: 40 VAC(RMS) Max.
 - Current Rating: 1.5 Ampere per Contact
 - Contact Resistance: 20 Milliohms Max.
 - Insulation Resistance: 1000 Megohms Min.
 - Dielectric Withstanding Voltage: 500V DC(RMS)
 - Total Mating Force: 4.5 Kgf Max.
 - Total Unmating Force: 1.0 Kgf Min.
 - Operating Temperature: -55°C to +85°C

NOTES

- MATERIAL:
 - Housing(VGA):PBT, UL 94V-0, Color:Blue.
 - Housing(DVI):PBT, UL 94V-0, Color:Ivory.
 - Terminal:Copper Alloy.
 - Shell:SPCC.
 - Boardlock:Copper Alloy.
 - Bracket:Zinc Alloy.
- FINISH:
 - Terminal:Gold Plated over Nickel at Contact Area.
 - Tin Plated over Nickel at Solder Ared.
 - Shell:Nickel Plated.
 - Boardlock:Tin Plated.
 - Bracket:Nickel Plated.
- This Product is LEAD-FREE & RoHS Compliance Product.



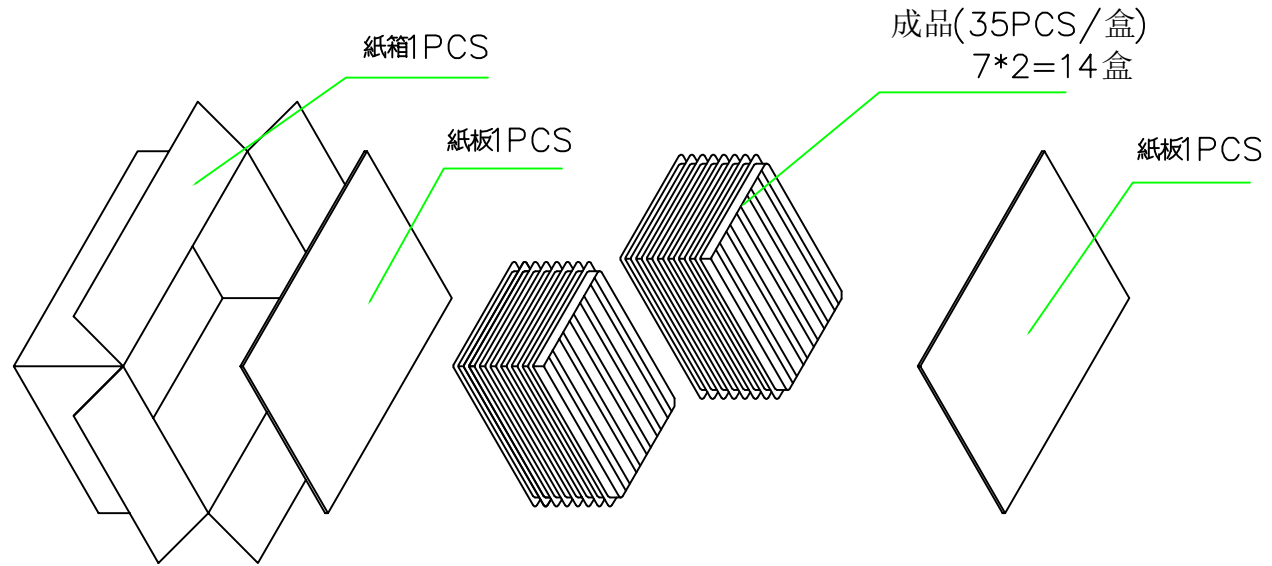
EAST-6SV2CP2A1XXCR

- 上层: 6S:VGA 15P母头
- 下层: V2:DVI-D 24+1P
- 中心高: C:20.40mm
- 螺丝: 1:无螺丝
A:锁螺丝4.8*11.8
B:附螺丝4.8*11.8
E:锁螺丝5.8*11.8
F:附螺丝5.8*11.8
- 环保要求: R:ROHS
- 塑胶材质: 1:PBT
2:LCP
- 4:上层PBT, 下层LCP
- 塑胶颜色: 1:黑色
C:上层蓝色, 下层白色
F:上层蓝色, 下层黑色

TOLERANCES UNLESS OTHERWISE SPECIFIED: X. --- X.X ± 0.38 X.XX ± 0.25 X.XXX ± 0.20 Angle ± 3°	COSTUMER COPY	深圳市东方御业科技有限公司 WWW.DFYCONN.COM TEL:0755-27155560			
	DRAWN: Qinx	2017/09/10	TITL: D-SUB HIGH DENSITY 15 FEMALE /DVI-D FEMALE RIGHT ANGLE (RoHS)		
APPROVED: Chenl	2017/09/10	PART NO: EAST-6SV2CP2A1XXCR			
THESE DRAWING AND SPECIFICATION ARE THE PROPERTY OF Shenzhen Dongfangyue ELECTRONIC CO., LTD.. SHALL NOT BE REPRODUCED.	2017/09/10	UNIT: mm	SCALE: N/A	SHEEL: 1	REV.

REV.	ECN NO.	MODIFY MATTER	DATE	APPROVED
A		RELEASE TO PRODUCTION	2018/01/20	Mike

包裝圖



加厚紙箱: 45*31*22.5CM

EAST-6SV2CP2A1XXCR	X.XX	X.XX	35*14=490
料 號	N.W: (KG)	G.W: (KG)	QT'Y(PCS)

TOLERANCES UNLESS OTHERWISE SPECIFIED: X. --- X.X ± 0.38 X.XX ± 0.25 X.XXX ± 0.20 Angle ± 3°	CUSTOMER COPY		深圳市东方御业科技有限公司 WWW.DFYCONN.COM TEL:0755-27155560			
	DRAWN: Qinkx	2018/01/20	TITL:	DVI-D / DVI-I FEMALE RIGHT ANGLE H16.70 (RoHS)		
	CHECKED: Chenl	2018/01/20	PART NO:			
THESE DRAWING AND SPECIFICATION ARE THE PROPERTY OF ShenzhenDongfangyuyue ELECTRONIC CO., LTD.. SHALL NOT BE REPRODUCED.	APPROVED: Chenl	2018/01/20	UNIT: mm	SCALE: N/A	SHEET: 1/1	REV: A