

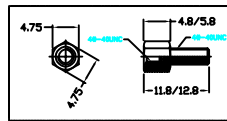
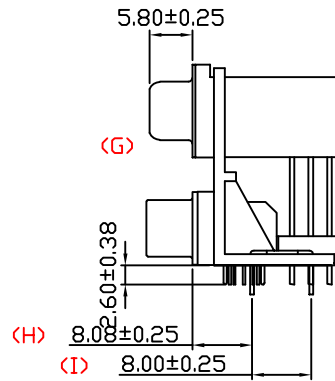
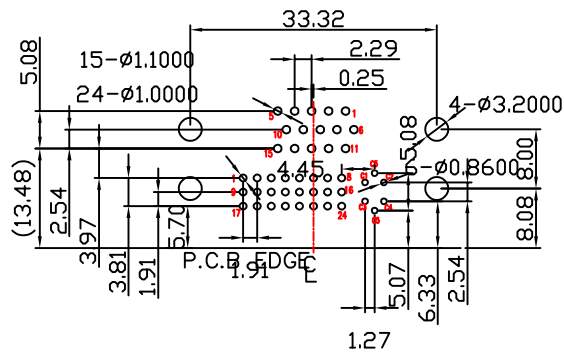
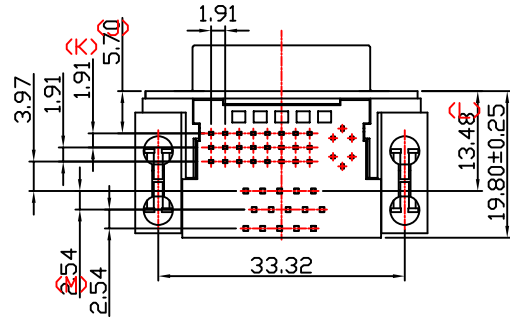
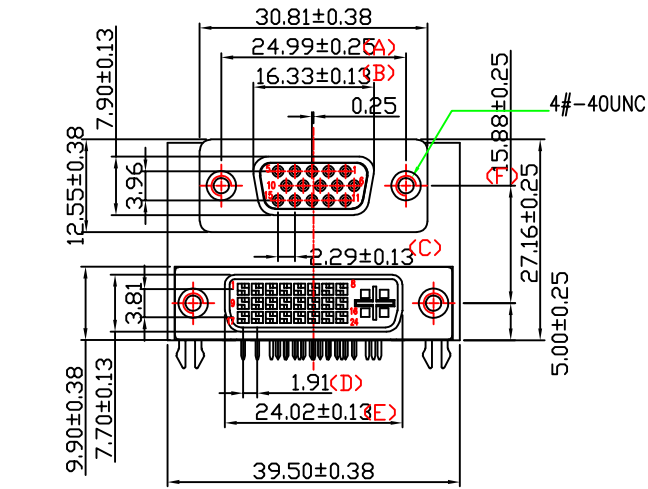
REV.	ECN NO.	MODIFY MATTER	DATE	APPROVED
A		RELEASE TO PRODUCTION	2013/02/05	Mike

SPECIFICATIONS

- VGA
 - Voltage: 250 VAC(RMS) Max.
 - Current Rating: 3 Ampere per Contact
 - Contact Resistance: 25 Milliohms Max.
 - Insulation Resistance: 5000 Megohms Min.
 - Dielectric Withstanding Voltage: 1000V AC(RMS)
 - Total Mating Force: 6.0 Kgf Max.
 - Total Unmating Force: 1.2 Kgf Min.
 - Operating Temperature: -55°C to +85°C
- DVI
 - Voltage: 40 VAC(RMS) Max.
 - Current Rating: 1.5 Ampere per Contact
 - Contact Resistance: 20 Milliohms Max.
 - Insulation Resistance: 1000 Megohms Min.
 - Dielectric Withstanding Voltage: 500V DC(RMS)
 - Total Mating Force: 4.5 Kgf Max.
 - Total Unmating Force: 1.0 Kgf Min.
 - Operating Temperature: -55°C to +85°C

NOTES

- MATERIAL:
 - Housing(VGA):PBT, UL 94V-0, Color:Blue.
 - Housing(DVI):PBT, UL 94V-0, Color:Ivory.
 - Terminal:Copper Alloy.
 - Shell:SPCC.
 - Boardlock:Copper Alloy.
 - Bracket:Zinc Alloy.
- FINISH:
 - Terminal:Gold Plated over Nickel at Contact Area.
 - Tin Plated over Nickel at Solder Ared.
 - Shell:Nickel Plated.
 - Boardlock:Tin Plated.
 - Bracket:Nickel Plated.
- This Product is LEAD-FREE & RoHS Compliance Product.



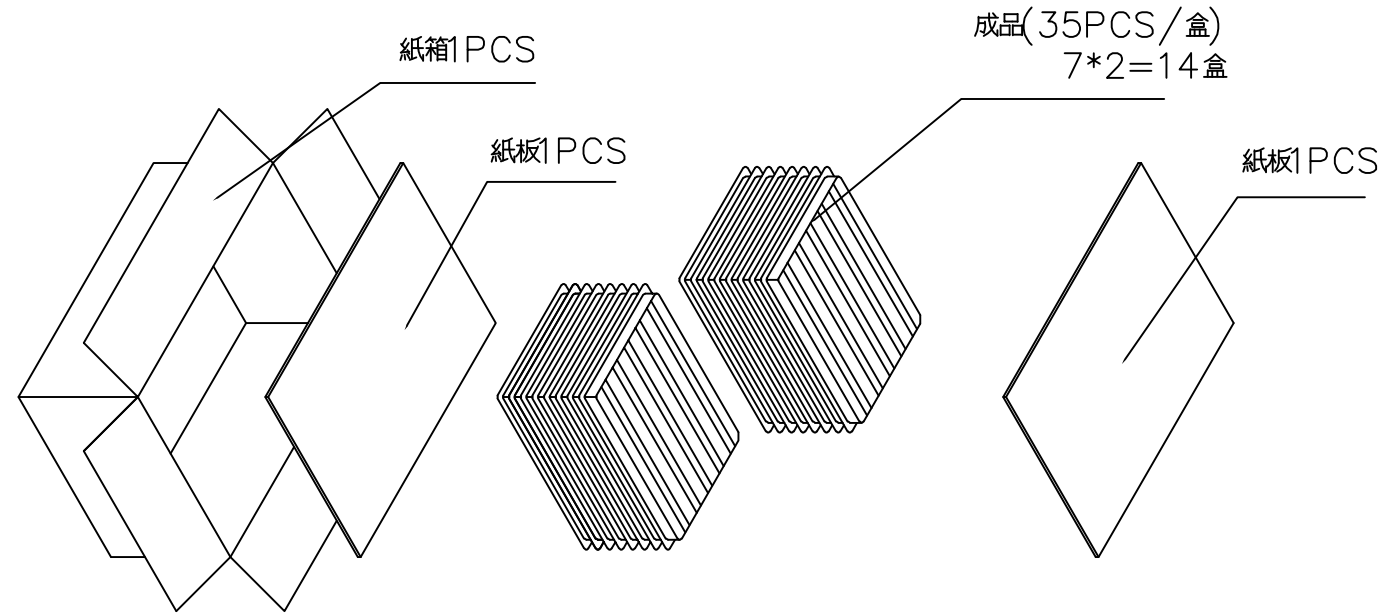
EAST-6SV4AP2A1AFCR

- 上层: 6S:VGA 15P母头
 - 下层: V4:DVI-I 24+5P
 - 中心高: A: 15.88mm
 - 螺丝: 1: 无螺丝
 - A: 锁螺丝 4.8*11.8
 - B: 附螺丝 4.8*11.8
 - E: 锁螺丝 5.8*11.8
 - F: 附螺丝 5.8*11.8
- 环保要求: R:ROHS
 - 塑胶材质: 1:PBT, 2:LCP, 4:上层PBT, 下层LCP
 - 塑胶颜色: 1:黑色, C:上层黑色, 下层白色, F:上层蓝色, 下层白色

TOLERANCES UNLESS OTHERWISE SPECIFIED: X. --- X.X ± 0.38 X.XX ± 0.25 X.XXX ± 0.20 Angle ± 3°	INSPECTION COPY	深圳市东方御业科技有限公司 WWW.DFYCONN.COM TEL:0755-27155560				
	DRAWN: chenlei	2013/02/05	TITLE: D-SUB HIGH DENSITY 15 FEMALE /DVI-I FEMALE RIGHT ANGLE			
	CHECKED: qinkx	2013/02/05	PART NO: EAST-6SV4AP2A1AFCR			
	APPROVED: qinkx	2013/02/05	UNIT: mm	SCALE: N/A	SHEET: 1/1	REV. A
THESE DRAWING AND SPECIFICATION ARE THE PROPERTY OF Shenzhen dongfangyuye CO.,LTD. SHALL NOT BE REPRODUCED.						

REV.	ECN NO.	MODIFY MATTER	DATE	APPROVED
A		RELEASE TO PRODUCTION	2013/02/05	Mike

包裝圖



加厚紙箱: 45*31*22.5CM

EAST-6SV4AP2A1AFCR	X.XX	X.XX	35*14=490
料 號	N.W: (KG)	G.W: (KG)	QT*Y(PCS)

TOLERANCES UNLESS OTHERWISE SPECIFIED: X. --- X.X ± 0.38 X.XX ± 0.25 X.XXX ± 0.20 Angle ± 3°	INSPECTION COPY	深圳市东方御业科技有限公司 WWW.DFYCONN.COM TEL:0755-27155560	
	DRAWN: chenlei CHECKED: qinkx APPROVED: qinkx	2013/02/05 2013/02/05 2013/02/05	TITIAL: D-SUB系列双层包装图 PART NO: EAST-6SV4AP2A1AFCR
THESE DRAWING AND SPECIFICATION ARE THE PROPERTY OF Shenzhen dongfangyue CO.,LTD. SHALL NOT BE REPRODUCED.	UNIT: mm	SCALE: N/A 	SHEEL: 1/1 REV: A

www.dfyconn.com