

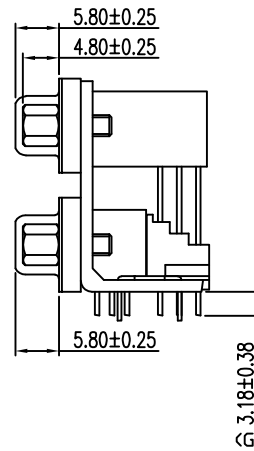
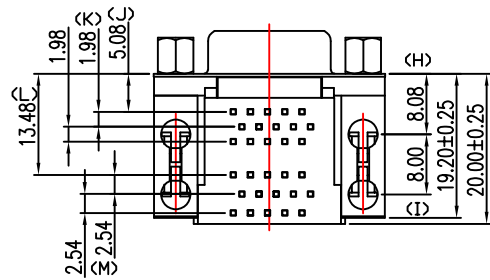
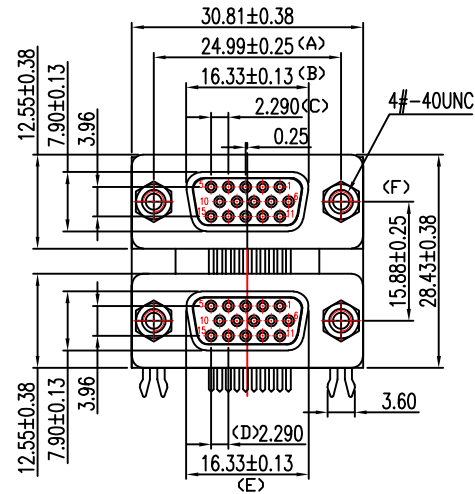
REV.	ECN NO.	MODIFY MATTER	DATE	APPROVED
A		RELEASE TO PRODUCTION	2017/09/10	Mike

### SPECIFICATIONS

- D-SUB
- Voltage: 250 VAC(RMS) Max.
- Current Rating: 3 Ampere per Contact
- Contact Resistance: 25 Milliohms Max.
- Insulation Resistance: 5000 Megohms Min.
- Dielectric Withstanding Voltage: 1000 VAC(RMS)
- Total Mating Force: 6.0 Kgf Max.
- Total Unmating Force: 1.2 Kgf Min.
- Operating Temperature: -55°C to +85°C

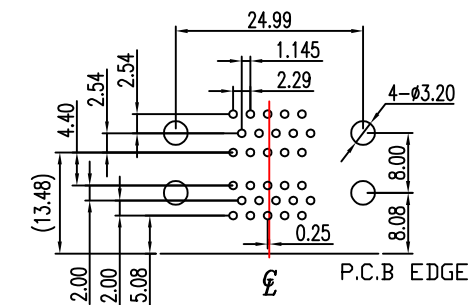
### NOTES

- MATERIAL:**  
Housing:PBT, UL 94V-0, Color:Black.  
Terminal:Copper Alloy.  
Shell:SPCC.  
Boardlock:Copper Alloy.  
Bracket:Zinc Alloy.  
Screw:Copper Alloy.
- FINISH:**  
Terminal:Gold Plated over Nickel at Contact Area.  
Tin Plated over Nickel at Solder Area.  
Shell:Nickel Plated.  
Boardlock:Tin Plated.  
Bracket:Nickel Plated.  
Screw:Nickel Plated.
- This Product is LEAD-FREE & RoHS Compliance Product.



### EAST-6SCSAP2A1XX

- 中心高: 15.88mm (A), 19.05mm (B)
- 塑胶颜色:  
1: 黑色  
2: 蓝色  
A: 上层黑色, 下层蓝色  
D: 上层蓝色, 下层黑色
- 螺丝:  
1: 无螺丝  
A: 锁螺丝 4.8\*11.8  
B: 附螺丝 4.8\*11.8  
E: 锁螺丝 5.8\*11.8  
F: 附螺丝 5.8\*11.8

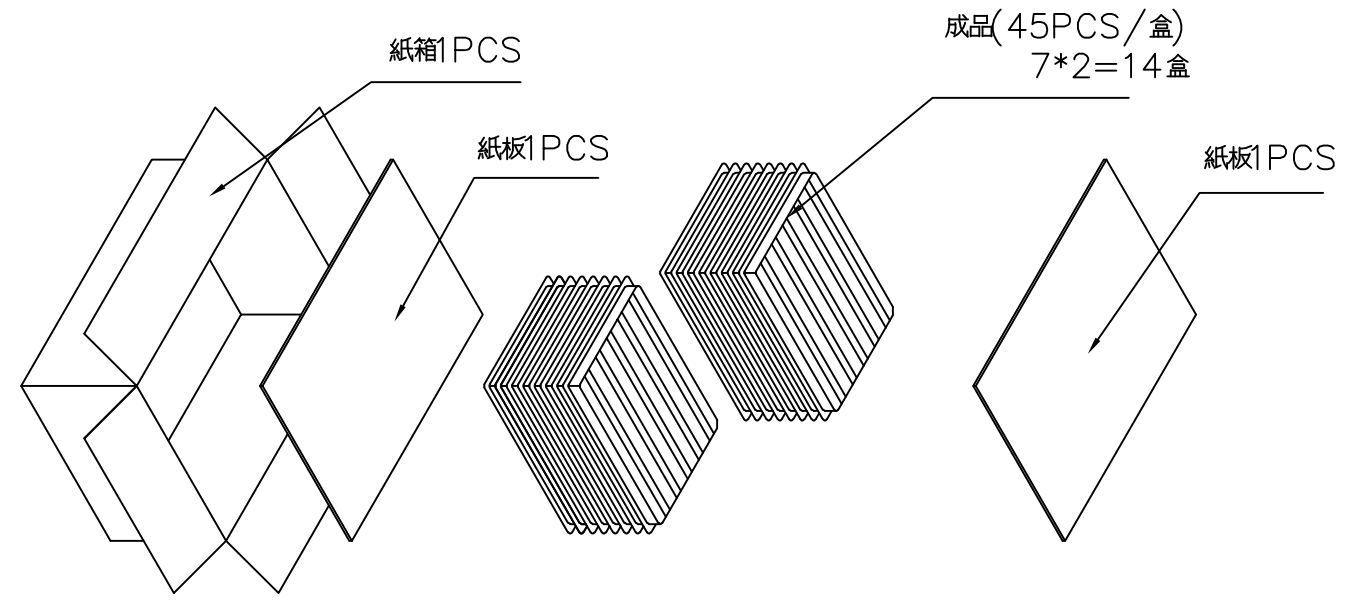


INSPECTION DIMENSION:(A)~(M)

TOLERANCES UNLESS OTHERWISE SPECIFIED: X. --- X.X ± 0.38 X.XX ± 0.25 X.XXX ± 0.20 Angle ± 3°	COSTOMER COPY	深圳市东方御业科技有限公司 WWW.DFYCONN.COM TEL:0755-27155560	
	DRAWN: Qinx	2017/09/10	TITAL: D-SUB 0.20*(5.08mm) FOOTPRINT 15 FEMALE HIGH DENSITY CONNECTOR /15 FEMALE HIGH DENSITY CONNECTOR, DUAL PORT (RoHS)
THESE DRAWING AND SPECIFICATION ARE THE PROPERTY OF Shenzhen Dongfangyuye ELECTRONIC CO., LTD. SHALL NOT BE REPRODUCED.	CHECKED: Chenl	2017/09/10	PART NO: EAST-6SCSAP2A1XX
	APPROVED: Chenl	2017/09/10	UNIT: mm
			SCALE: N/A
			SHEEL: 1/1
			REV. A

REV.	ECN NO.	MODIFY MATTER	DATE	APPROVED
A		RELEASE TO PRODUCTION	2018/01/20	Mike

# 包裝圖



加厚紙箱: 45\*31\*22.5CM

<b>EAST-6SCSAP2A1XX</b>	X.XX	X.XX	45*14=630
料 號	N.W: (KG)	G.W: (KG)	QT'Y(PCS)

TOLERANCES UNLESS OTHERWISE SPECIFIED: X. --- X.X ± 0.38 X.XX ± 0.25 X.XXX ± 0.20 Angle ± 3°	CUSTOMER COPY		深圳市东方御业科技有限公司 WWW.DFYCONN.COM TEL:0755-27155560			
	DRAWN: Qinx	2018/01/20	TITL: D-SUB 双层系列包装图 (RoHS)			
	CHECKED: Chenl	2018/01/20	PART NO: EAST-6SCSAP2A1XX			
	APPROVED: Chenl	2018/01/20	UNIT: mm 	SCALE: N/A	SHEEL: 1/1	REV: A

www.dfyconn.com