

REV.	ECN NO.	MODIFY MATTER	DATE	APPROVED
A		RELEASE TO PRODUCTION	2017/09/10	Mike

### SPECIFICATIONS

#### ELECTRICAL CHARACTERISTICS:

Contact Current Rating:3 Amperes.  
 Dielectric Withstanding Voltage: AC 1000/60sec.r.m.s.  
 Insulation Resistance:5000 Medohms Minimum.at DC 500V.  
 Contact Resistance:25 Milliohms Maximum.  
 Operating Temperature:-55°C to +105°C.

#### MECHANICAL CHARACTERISTICS:

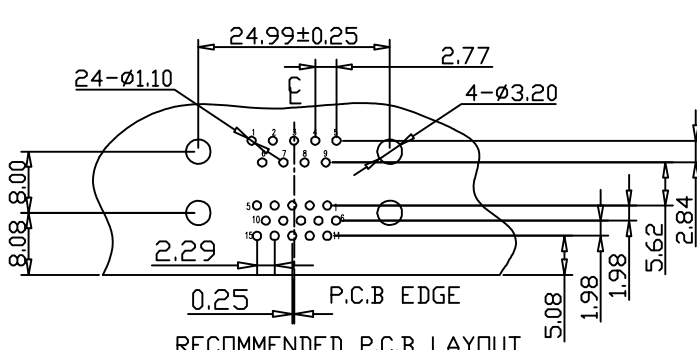
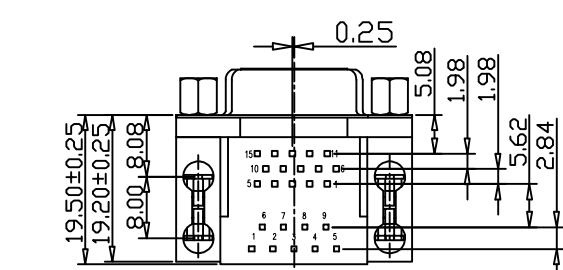
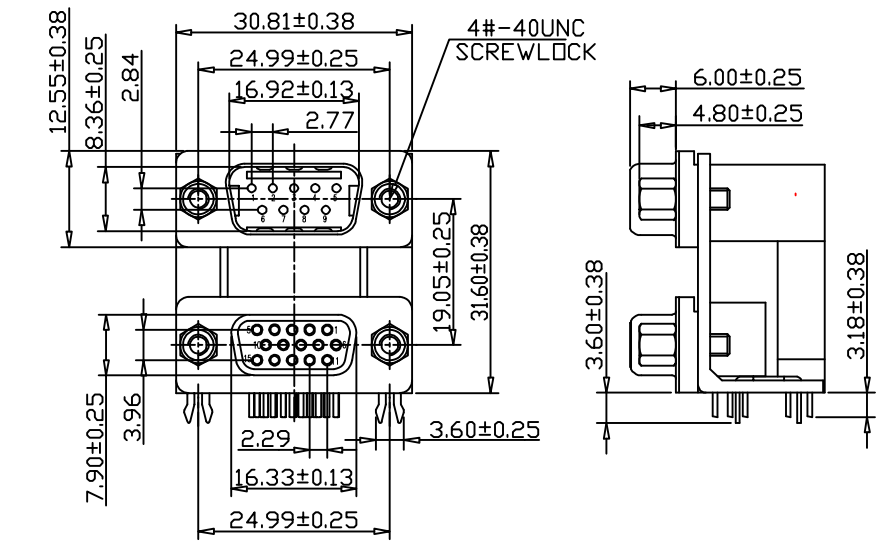
Contact Insertion Force:341 g.Maximum.  
 Contact Separation Force:21 g.Minimum.

#### MATERIALS:

Contacts:Brass.  
 Insulator: NTLON 9T UL 94V-0 Rated.  
 Shell: Cold Roller Steel.

#### FINISHES:

Contact:Gold Flash.  
 Shell:Nickel Plated.



### EAST-B1N2AP2A1XX

中心高

- A: 15.88mm
- B: 19.05mm

塑胶颜色:

- 1: 黑色
- C: 上层绿色, 下层蓝色
- F: 上层绿色, 下层黑色
- J: 上层黑色, 下层蓝色

螺丝:

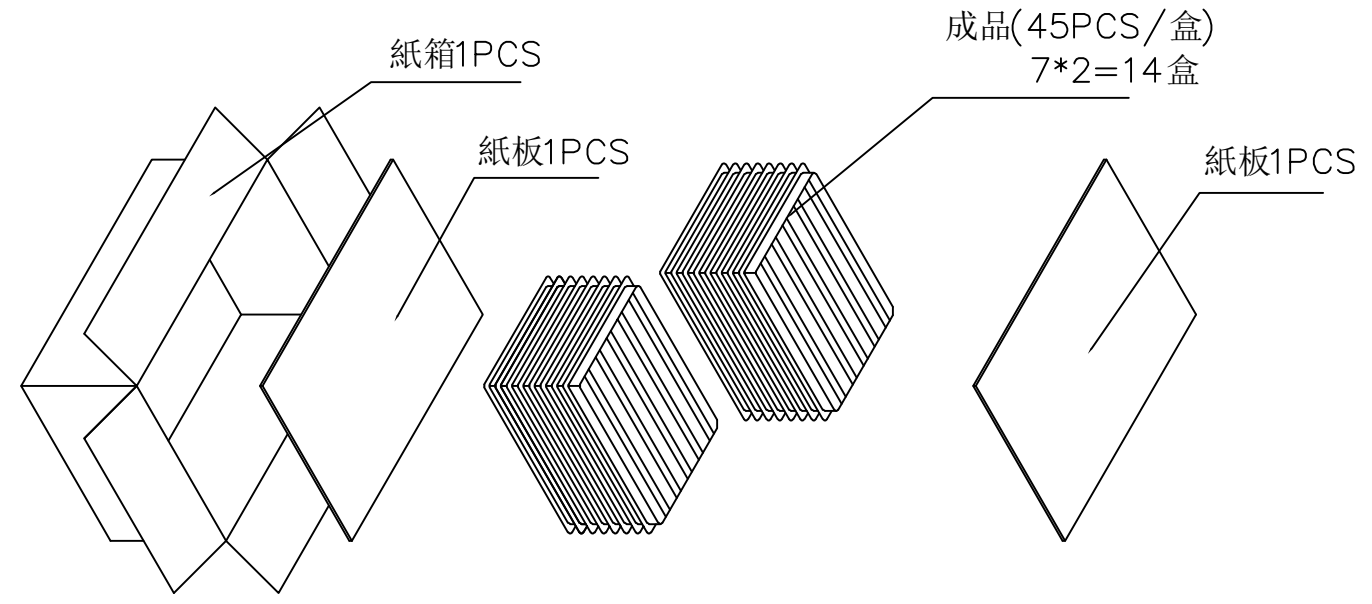
- 1: 无螺丝
- A: 锁螺丝4.8\*11.8
- B: 附螺丝4.8\*11.8
- E: 锁螺丝5.8\*11.8
- F: 附螺丝5.8\*11.8

TOLERANCES UNLESS OTHERWISE SPECIFIED: X. --- X.X ± 0.38 X.XX ± 0.25 X.XXX ± 0.20 Angle ± 3°	COSTOMER COPY 深圳市东方御业科技有限公司 WWW.DFYCONN.COM TEL:0755-27155560	
	DRAWN: Qinx	2017/09/10
	CHECKED: Chenl	2017/09/10
	APPROVED: Chenl	2017/09/10
THESE DRAWING AND SPECIFICATION ARE THE PROPERTY OF ShenzhenDongfangyuye ELECTRONIC CO., LTD.. SHALL NOT BE REPRODUCED.		TITIAL: DR 9P对HDR 15PIN双胞胎成品-2 PART NO: <b>EAST-B1N2AP2A1XX</b>
UNIT: mm	SCALE: N/A	SHEEL: 1/1
		REV. A

www.dfyconn.com

REV.	ECN NO.	MODIFY MATTER	DATE	APPROVED
A		RELEASE TO PRODUCTION	2018/01/20	Mike

# 包裝圖



加厚紙箱: 45\*31\*22.5CM

<b>EAST-B1N2AP2A1XX</b>	X.XX	X.XX	45*14=630
料 號	N.W: (KG)	G.W: (KG)	QT'Y(PCS)

TOLERANCES UNLESS OTHERWISE SPECIFIED: X. --- X.X ± 0.38 X.XX ± 0.25 X.XXX ± 0.20 Angle ± 3°	CUSTOMER COPY	深圳市东方御业科技有限公司 WWW.DFYCONN.COM TEL:0755-27155560		
	DRAWN: Qinkx	2018/01/20	TITIAL: D-SUB双层系列包裝圖 (RoHS)	
THESE DRAWING AND SPECIFICATION ARE THE PROPERTY OF Shenzhen dongfangyue ELECTRONIC CO., LTD., SHALL NOT BE REPRODUCED.	CHECKED: Chenl	2018/01/20	PART NO:	
	APPROVED: Chenl	2018/01/20	UNIT: mm	SCALE: N/A
			SHEEL: 1/1	REV. A

www.dfyconn.com