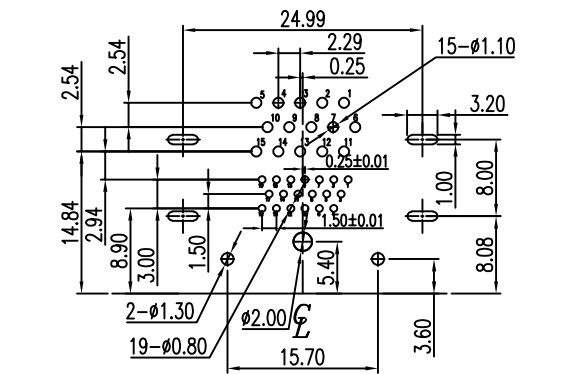
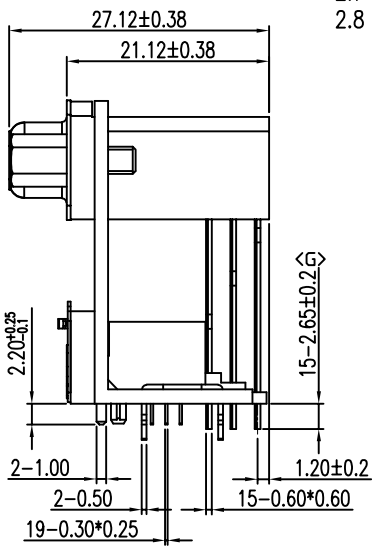
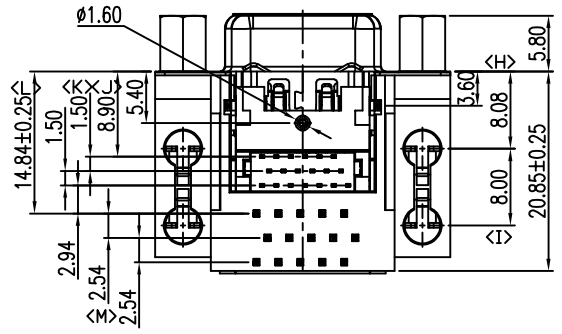
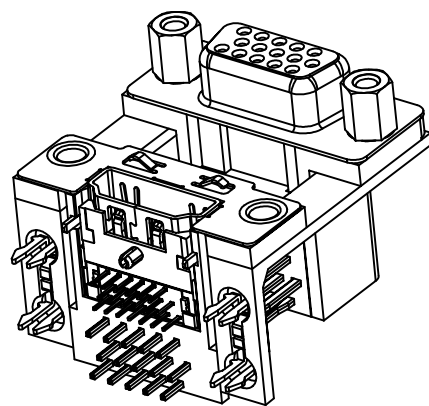
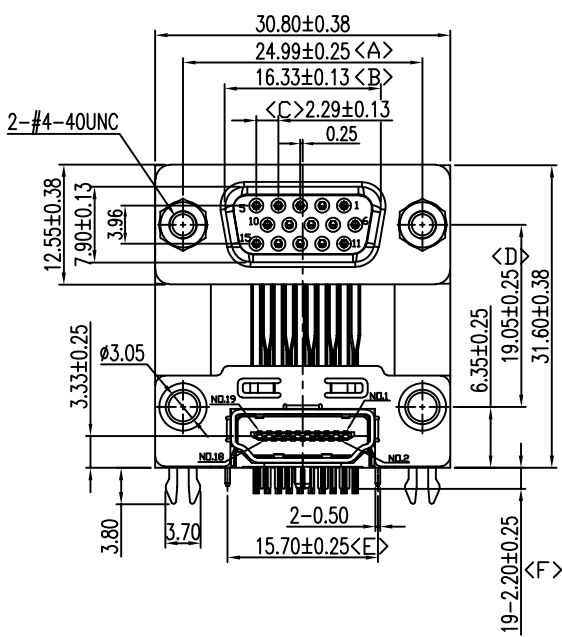


REV.	ECN NO.	MODIFY MATTER	DATE	APPROVED
	NOTES	RELEASE TO PRODUCTION	2011/05/15	Mike



**SPECIFICATIONS**

- VGA
  - Voltage: 250 VAC(RMS) Max.
  - Current Rating: 3 Ampere per Contact
  - Contact Resistance: 25 Milliohms Max.
  - Insulation Resistance: 5000 Megohms Min.
  - Dielectric Withstanding Voltage: 1000 VAC(RMS)
  - Total Mating Force: 6.0 Kgf Max.
  - Total Unmating Force: 1.2 Kgf Min.
  - Operating Temperature: -55°C to +85°C
- HDMI
  - Voltage: 40 VAC(RMS) Max.
  - Current Rating: 0.5 Ampere per Contact
  - Contact Resistance: 30 Milliohms Max.
  - Insulation Resistance: 100 Megohms Min.
  - Dielectric Withstanding Voltage: 500V DC(RMS)
  - Total Mating Force: 4.5 Kgf Max.
  - Total Unmating Force: 1.0 Kgf Min.
  - Operating Temperature: -55°C to +85°C

- MATERIAL:
  - Housing(VGA):PBT, UL 94V-0, Color:Blue.
  - Housing(HDMI):LCP, UL 94V-0, Color:Black.
  - Connecting Pedestal:PBT, UL 94V-0, Color:Black.
  - Terminal:Copper Alloy.
  - Shell(VGA):SPCC.
  - Shell(HDMI):Steel.
  - Boardlock:Copper Alloy.
  - Bracket:Zinc Alloy.
  - Gasket:Stainless Steel.
  - Screw:Copper Alloy.
- FINISH:
  - Terminal:Gold Plated Over Nickel at Contact Area.
  - Tin Plated Over Nickel at Solder Area.
  - Shell:Nickel Plated.
  - Boardlock:Tin Plated.
  - Bracket:Nickel Plated.
  - Screw:Nickel Plated.
- This Product is LEAD-FREE & RoHS Compliance Product.

**EAST-HDVGABDADAR**

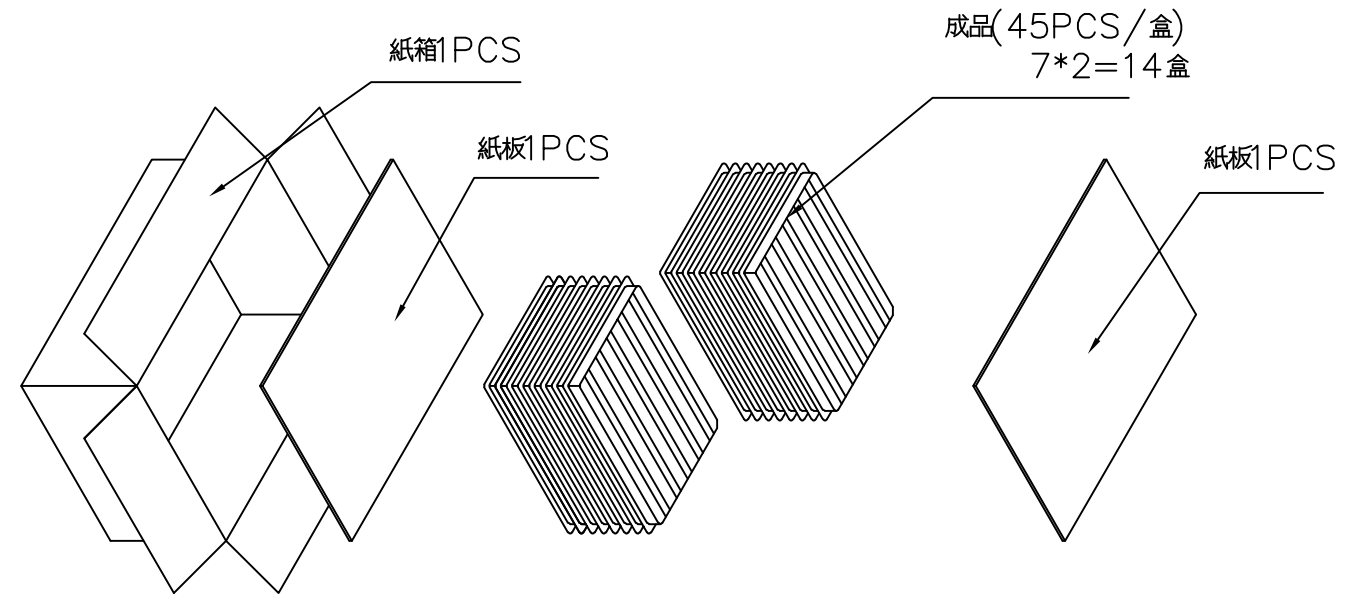
- 中心高
  - A: 15.88mm
  - B: 19.05mm
- 螺丝:
  - 1: 无螺丝
  - A: 锁螺丝 4.8\*11.8
  - B: 附螺丝 4.8\*11.8
  - E: 锁螺丝 5.8\*11.8
  - F: 附螺丝 5.8\*11.8
- 环保要求: R:ROHS
- 塑胶材质
  - 1:PBT
  - 2:LCP
  - A: 上层PBT, 下层LCP
- 塑胶颜色:
  - 1: 黑色
  - 2: 蓝色
  - D: 上层蓝色, 下层黑色

RECOMMENDED P.C.B LAYOUT  
INSPECTION DIMENSION:(A)~(M)

TOLERANCES UNLESS OTHERWISE SPECIFIED: X. --- X.X ± 0.38 X.XX ± 0.25 X.XXX ± 0.20 Angle ± 3°	INSPECTION COPY	深圳市东方御业科技有限公司 Tel:0755-27155560 WWW.DFYCONN.COM	
	DRAWN: Li yu	2018/02/27	TITL: D2H1 SERIES D-SUB HIGH DENSITY 15 FEMALE/HDMI 19-POS. FEMALE DIP TYPE (RoHS)
THESE DRAWING AND SPECIFICATION ARE THE PROPERTY OF Shenzhen dongfongyue ELECTRONIC CO., LTD.. SHALL NOT BE REPRODUCED.	CHECKED: Mike	2018/02/27	PART NO: EAST-HDVGABDADAR
	APPROVED: Mike	2018/02/27	UNIT: mm SCALE: N/A SHEET: 1/1 REV: A

REV.	ECN NO.	MODIFY MATTER	DATE	APPROVED
A		RELEASE TO PRODUCTION	2018/01/20	Mike

# 包裝圖



加厚紙箱: 45\*31\*22.5CM

<b>EAST-HDVGABDADAR</b>	X.XX	X.XX	45*14=630
料 號	N.W: (KG)	G.W: (KG)	QT'Y(PCS)

TOLERANCES UNLESS OTHERWISE SPECIFIED: X. --- X.X ± 0.38 X.XX ± 0.25 X.XXX ± 0.20 Angle ± 3°	CUSTOMER COPY	深圳市东方御业科技有限公司 WWW.DFYCONN.COM TEL:0755-27155560		
	DRAWN: Qinkx	2018/01/20	TITIAL: D-SUB 双层系列包装图	
THESE DRAWING AND SPECIFICATION ARE THE PROPERTY OF Shenzhen dongfangyue ELECTRONIC CO., LTD., SHALL NOT BE REPRODUCED.	CHECKED: Chenl	2018/01/20	PART NO: EAST-HDVGABDADAR	
	APPROVED: Chenl	2018/01/20	UNIT: mm	SCALE: N/A SHEEL: 1/1 REV. A

www.dfyconn.com